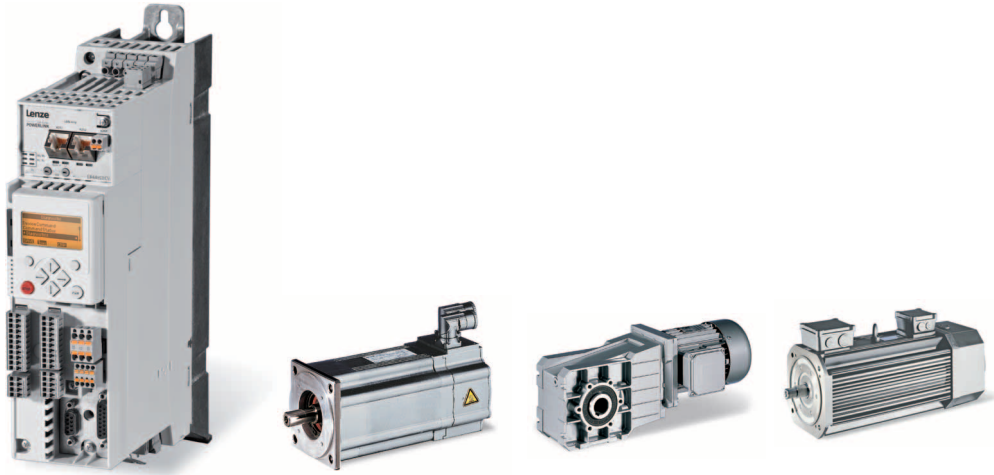


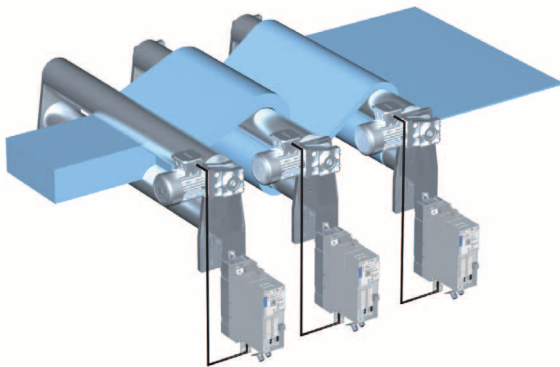
The inverter with servo qualities.



The 8400 TopLine offers the maximum level of functionality and optimum drive behaviour within the 8400 series, providing precisely tailored solutions. Furthermore, TopLine represents a cost-effective solution for speed-controlled and position-controlled applications, as well as synchronised and positioning applications.

Highlights

- Servo control of synchronous and asynchronous servo motors
- Integrated resolver input supports the standard feedback of Lenz servo motors
- Multiple encoder input extends the range of potential applications – including absolute position measurement systems
- Electrical shafts and electronic gearboxes can be implemented using the integrated axis bus



Typical applications include handling and positioning systems, as well as travelling drives and hoist drives in the most diverse of application areas. The integrated axis bus is also designed for synchronising drive axes, e.g. when processing material webs.

8400 TopLine Technology – At a glance

Performance data	
Mains: 1 AC 230/240 V	0.25 to 2.2 kW
Mains: 3 AC 400/500 V	0.37 to 45.0 kW
Overload current	
	150 % (60 s) 200 % (3 s)
Operating conditions	
	Operating temperature -10 °C to +55 °C (derating above 45 °C: 2.5 %/K) IP20 enclosure
Functions	
	DC brake function Flying restart circuit, PID controller Sensorless vector control "VFC eco" energy saving function Sensorless control of synchronous motors (SLPSM) Brake management for brake control with low rate of wear Logic functions, comparator, counter, arithmetic function Freely interconnectable function blocks Point-to-point positioning (with and without feedback) S-ramps for smooth acceleration and deceleration Servo control for synchronous and asynchronous motors Electrical shaft with adjustable ratio (electronic gearbox) Positioning sequence control KTY temperature sensor evaluation
Interfaces	
	Memory modules, L-force diagnostics interface DIP switch for CANopen (on board) Integrated brake chopper External 24 V supply Digital inputs / outputs (8/4), analog inputs / outputs (2/2), relay Slot for EtherCAT, EtherNET/IP, PROFIBUS or PROFINET communication module PTC/thermal contact input Resolver input and multiple encoder input Axis bus (for cross communication, synchronisation)
Feedback systems	
	HTL incremental encoder (200 kHz), TTL incremental encoder Resolver SinCos encoder (1Vss), SinCos Hiperface absolute value encoder, SSI encoder Digital frequency input / output
Safety engineering	
	Safe torque off (STO), certified to EN 13849-1 (Cat. 4, PL e), IEC 61508/EN 62061 (SIL 3)
Approvals	
	CE, cUL, GOST-R, RoHS

