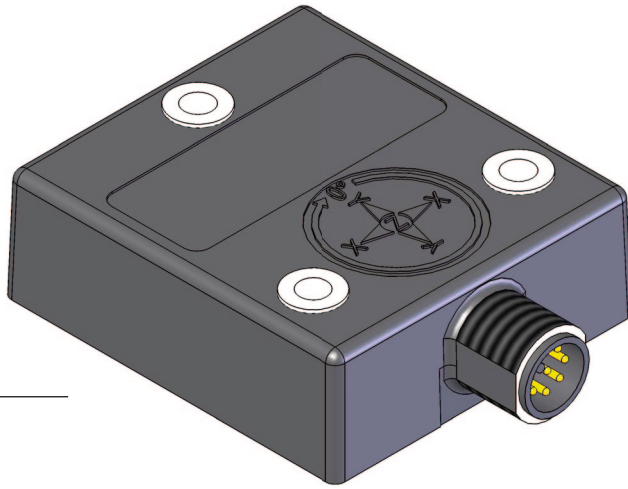


Inclinometer IK360



Features:

- One-axis inclinometer 0 ... 360°
- Accuracy 0,1°; Resolution 0,01°
- Interfaces RS232+U; RS232+I; CANopen
- temperature compensated
- Protection IP69K
- easy three-point-mounting

SIKO GmbH

Address
 Weihermattenweg 2
 79256 Buchenbach

Telephone
 +49 7661 394-0

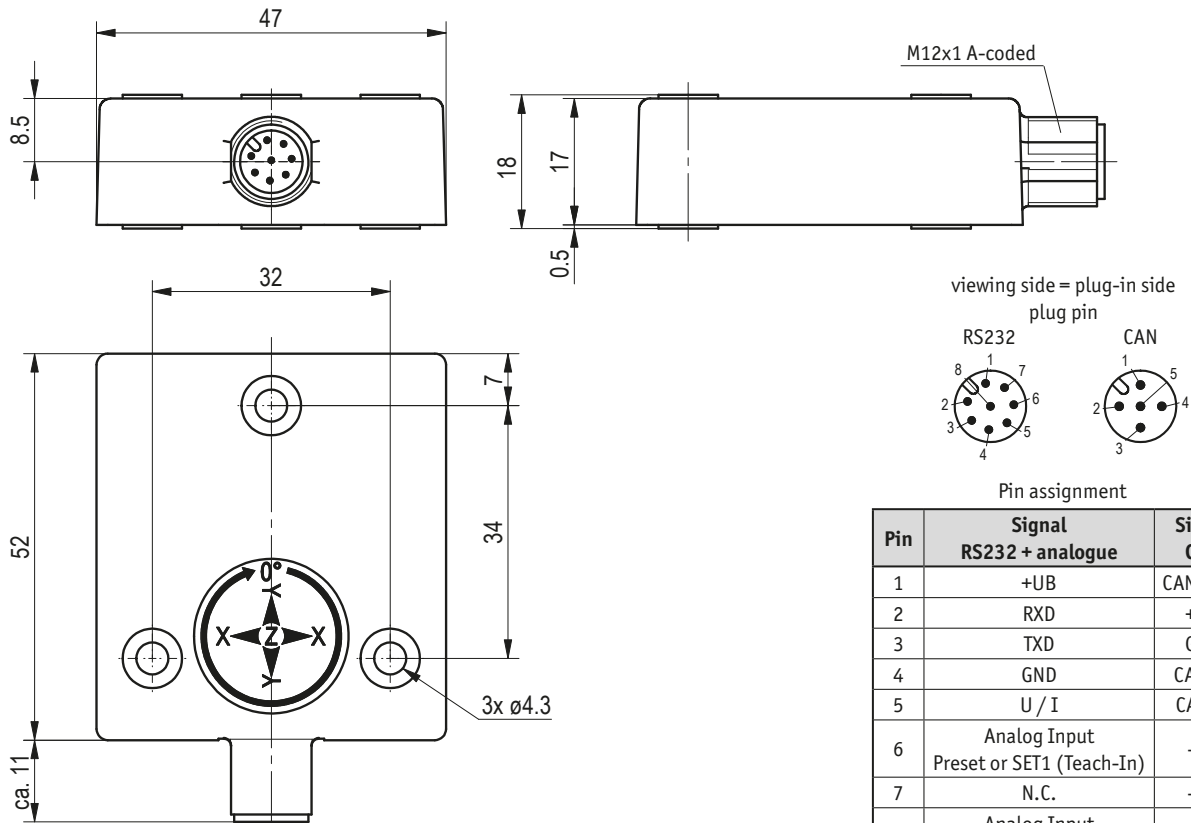
Fax
 +49 7661 394-388

eMail
 info@siko.de
Internet
 www.siko.de

Feature	Order text	Additional information
Interface	RS232+U0-10V	RS232 + voltage output
	RS232+I	RS232 + current output
	CAN	CANopen

Your ordering: -

Inclinometer IK360



viewing side = plug-in side
plug pin

RS232

CAN

Pin assignment

Pin	Signal RS232 + analogue	Signal CAN
1	+UB	CAN_GND
2	RXD	+UB
3	TXD	GND
4	GND	CAN_H
5	U / I	CAN_L
6	Analog Input Preset or SET1 (Teach-In)	---
7	N.C.	---
8	Analog Input Inverse Direction or SET2 (Teach-In)	---

Technical data

Mechanical data:

Housing	PBT glass fiber reinforced
Shock resistance	≤ 100 g / 6 ms
Vibration resistance	1,5 mm (10 Hz ... 58 Hz) & ≤ 20 g (58 Hz ... 2000 Hz)
Weight	ca. 75 g

Electrical data:

Operating voltage	12 ... 30 VDC 10 ... 30 VDC
Power consumption	≤ 0,7 W
Measuring range	360°
Number of axes	1
Resolution	0,01°
Accuracy	0,1° (at -10 °C ... +40 °C)
Sensor response time	10 ms (without filter)
Interface RS232 + analogue	U 0 ... 10 V, 0° = 0 V; ≤ 1 mA I 4 ... 20 mA, 0° = 4 mA; load ≤ 270 R
Interface CAN	according ISO 11898, galvanically isolated
EMV	EN 61000-6-4 EN 61000-6-2

Environmental conditions:

Working temperature	-40 °C ... +85 °C
Humidity	98 %
Protection	IP69K (connected) , IP68, IP67

Accessory

84109	Mating connector M12 (CAN)	5 pins circular cable connector A-coded (ø20)
83006	Mating connector M12 (CAN)	5 pins angle cable connector A-coded (ø19)
83525	Mating connector M12 (RS232)	8 pins circular cable connector A-coded (ø20)
KV05S0	Cable extension M12 (CAN)	5 pins circular cable connector A-coded (ø15)
KV08S3	Cable extension M12 (RS232)	8 pins circular cable connector A-coded (ø15)

Additional information

according to EN 60068-2-27

according to EN 60068-2-6

IK360 with current output

IK360 with voltage output and CANopen

CANopen (profile 410)

emitted interference

noise immunity

without condensation