

g500-B vinkel tannhjulsmotorer

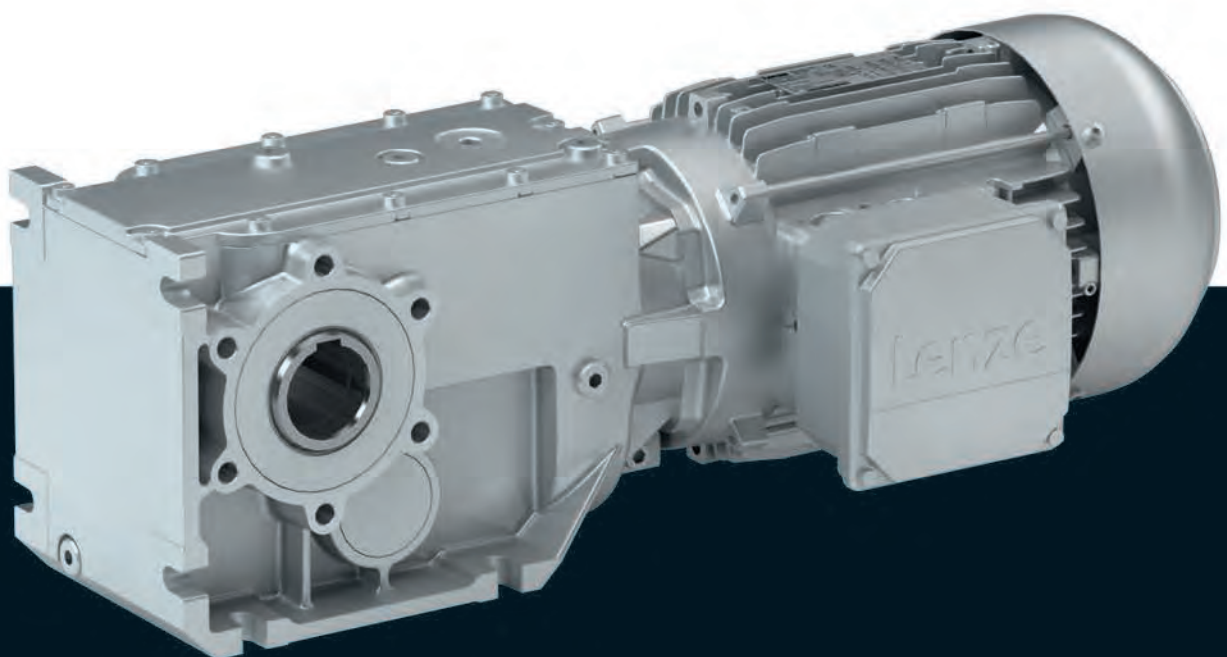
For nett- og omformermating (0,06 .. 0,55kW)

0,06 ... 0,55 kW (IE1)

0,75 ... 30 kW (IE3)

Katalogutvalg for grov utvelgelse av vinkel gearmotorer for nett- og omformermating opp til 0,55kW og nettmating opp til 30kW.

Ta kontakt med Drivetek as www.dtc.no for detaljert utvelgelse og pristilbud.



g500-B bevel geared motors



Contents

General information	List of abbreviations	6.5 - 4
	Product information	6.5 - 6
	Equipment	6.5 - 7
	The geared motor kit	6.5 - 10
Project planning	General information about the data provided in this catalogue	6.5 - 15
	Procedure of a configuration process	6.5 - 16
	Standards	6.5 - 22
	Load capacity and application factor	6.5 - 25
	Operational performance of three-phase AC geared motors	6.5 - 26
	Technical data at a glance	6.5 - 27
	Surface and corrosion protection	6.5 - 37
	Lubricants	6.5 - 39
Ventilation	6.5 - 40	
Technical data	Standards and operating conditions	6.5 - 47
	Permissible radial and axial forces at output	6.5 - 48
	Selection tables, notes	6.5 - 51
	Selection tables, 4-pole motors	6.5 - 52
	Dimensions, notes	6.5 - 100
	Dimensions, 4-pole motors	6.5 - 101
	Weights, 4-pole motors	6.5 - 152
	Additional weights for gearboxes	6.5 - 154
Additional weights for motors	6.5 - 154	
Product extensions	Overview	6.5 - 155
	Torque plate	6.5 - 157
	Shaft cover	6.5 - 163
Appendix	Gearbox code	6.5 - 165
	Motor code	6.5 - 166

g500-B bevel geared motors



Technical data

Selection tables, notes

The selection tables show the available combinations of gearbox type, number of stages, ratio and motor. They are used only to provide basic orientation.
The following legend indicates the structure of the selection tables.

Rated power P_{rated} of the drive motor depending on the rated frequency

↓

50 Hz: $P_N = 0.75$ kW

2-stage gearboxes ← Number of the gear stage of the gearbox

Mains operation 400 V, 50 Hz			i	Product		
n_2 [r/min]	M_2 [Nm]	c		g500	m2□□	
405	17	4.8	3.565	-B240	40-P80/M4	
278	24	2.8	5.185	-B110	40-P80/M4	

↑ ↑ ↑ ↑ ↑

Mains operation
Output speed n_2
Output torque M_2

Load capacity c of the gearbox
 c is the ratio between the permissible rated torque of the gearbox and the rated torque of the three-phase AC motor (converted to the driven shaft).
 c must be always higher than the service factor k determined for the application k .

$$c = \frac{M_{2,zul}}{M_{1N} \cdot i \cdot \eta_{Getr}} > k$$

Ratio i

Product Gearbox

Product Motor

Page number for dimensions

Motor voltages

At 50 Hz, the power and torque values indicated in the selection tables relate to the following motor voltages:

- Up to 3 kW: Δ 230 V / Y 400 V
- FROM 4 kW: Δ 400 V

g500-B bevel geared motors

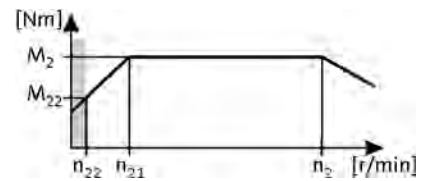
Technical data



Selection tables, 4-pole motors

50 Hz: $P_N = 0.06$ kW
 87 Hz: $P_N = 0.11$ kW

2-stage gearboxes



Mains operation 400 V, 50 Hz			Inverter operation											i	Product		
n_2 [r/min]	M_2 [Nm]	c	5 Hz -		- 20 Hz		- 50 Hz (1:10)			- 87 Hz (1:17.4)			g500		MD□MA□□		
n_2 [r/min]	M_2 [Nm]	c	n_{22} [r/min]	M_{22} [Nm]	n_{21} [r/min]	M_2 [Nm]	n_2 [r/min]	M_2 [Nm]	c	n_2 [r/min]	M_2 [Nm]	c					
64	9.0	5.3	6.5	8.5	27	9.0	64	9.0	5.3	114	9.0	4.3	22.270	-B45	063-02		
57	10	4.7	5.8	9.6	24	10	57	10	4.7	101	10	4.4	25.051	-B45	063-02		
50	11	4.1	5.0	11	21	11	50	11	4.1	88	11	3.8	28.808	-B45	063-02		
44	12	3.6	4.4	12	18	12	44	12	3.6	78	13	3.4	32.593	-B45	063-02		
38	14	3.1	3.9	14	16	14	38	14	3.1	68	15	2.9	37.481	-B45	063-02		
34	16	2.8	3.4	16	14	16	34	16	2.8	60	17	2.7	42.222	-B45	063-02		
29	19	2.4	3.0	19	12	19	29	19	2.4	52	19	2.4	48.556	-B45	063-02		
26	21	2.2	2.7	21	11	21	26	21	2.2	47	21	2.1	53.889	-B45	063-02		
23	24	1.9	2.3	24	9.7	24	23	24	1.9	41	24	1.8	61.972	-B45	063-02		

g500-B bevel geared motors

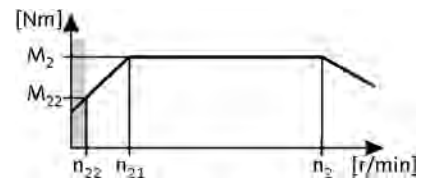


Technical data

Selection tables, 4-pole motors

50 Hz: $P_N = 0.09$ kW
 87 Hz: $P_N = 0.16$ kW

2-stage gearboxes



Mains operation 400 V, 50 Hz			Inverter operation										i	Product		
n_2 [r/min]	M_2 [Nm]	c	5 Hz -		- 20 Hz		- 50 Hz (1:10)			- 87 Hz (1:17.4)				g500	MD□MA□□	
n_2 [r/min]	M_2 [Nm]	c	n_{22} [r/min]	M_{22} [Nm]	n_{21} [r/min]	M_2 [Nm]	n_2 [r/min]	M_2 [Nm]	c	n_2 [r/min]	M_2 [Nm]	c				
103	8.0	5.7	11	7.8	45	8.0	103	8.0	5.7	186	8.0	4.9	13.386	-B45	063-22	
91	9.0	5.0	9.6	8.8	40	9.0	91	9.0	5.0	164	9.0	4.3	15.111	-B45	063-22	
79	10	4.4	8.3	10	35	10	79	10	4.4	143	10	3.8	17.378	-B45	063-22	
71	11	3.9	7.5	11	31	11	71	11	3.9	128	11	3.4	19.365	-B45	063-22	
62	13	3.4	6.5	13	27	13	62	13	3.4	112	13	2.9	22.270	-B45	063-22	
55	15	3.0	5.8	15	24	15	55	15	3.0	99	15	3.0	25.051	-B45	063-22	
48	17	2.6	5.0	17	21	17	48	17	2.6	86	17	2.6	28.808	-B45	063-22	
42	19	2.3	4.4	19	18	19	42	19	2.3	76	19	2.3	32.593	-B45	063-22	
37	22	2.0	3.9	22	16	22	37	22	2.0	66	22	2.0	37.481	-B45	063-22	
33	25	1.8	3.4	25	14	25	33	25	1.8	59	25	1.8	42.222	-B45	063-22	
28	29	1.6	3.0	28	12	28	28	29	1.6	51	28	1.6	48.556	-B45	063-22	
26	32	1.4	2.7	32	11	31	26	32	1.4	46	31	1.4	53.889	-B45	063-22	
22	37	1.2	2.3	36	9.7	36	22	37	1.2	40	36	1.2	61.972	-B45	063-22	

g500-B bevel geared motors

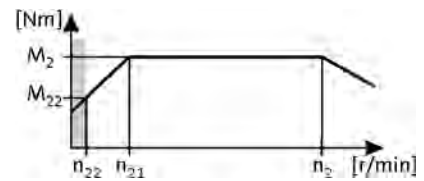


Technical data

Selection tables, 4-pole motors

50 Hz: $P_N = 0.12$ kW
 87 Hz: $P_N = 0.21$ kW

2-stage gearboxes



Mains operation 400 V, 50 Hz			Inverter operation										i	Product		
n_2 [r/min]	M_2 [Nm]	c	5 Hz -		- 20 Hz		- 50 Hz (1:10)			- 87 Hz (1:17.4)				g500	MD□MA□□	
n_{22} [r/min]	M_{22} [Nm]		n_{22} [r/min]	M_{22} [Nm]	n_{21} [r/min]	M_2 [Nm]	n_2 [r/min]	M_2 [Nm]	c	n_2 [r/min]	M_2 [Nm]	c				
136	8.0	5.6	14	6.2	57	8.0	136	8.0	5.6	242	8.0	4.8	10.466	-B45	063-12	
122	9.0	5.1	13	6.8	52	9.0	122	9.0	5.1	218	9.0	4.3	11.640	-B45	063-12	
107	10	4.4	11	7.9	45	10	107	10	4.4	189	10	3.8	13.386	-B45	063-12	
94	12	3.9	9.6	8.9	40	11	94	12	3.9	168	11	3.3	15.111	-B45	063-12	
82	13	3.4	8.3	10	35	13	82	13	3.4	146	13	2.9	17.378	-B45	063-12	
74	15	3.0	7.5	11	31	15	74	15	3.0	131	15	2.6	19.365	-B45	063-12	
73	15	5.5	7.4	12	31	15	73	15	5.5	130	15	4.7	19.556	-B110	063-12	
64	17	2.6	6.5	13	27	17	64	17	2.6	114	17	2.3	22.270	-B45	063-12	
63	17	5.5	6.4	13	27	17	63	17	5.5	113	17	4.7	22.489	-B110	063-12	
57	19	2.4	5.8	15	24	19	57	19	2.4	101	19	2.3	25.051	-B45	063-12	
57	19	4.6	5.8	15	24	19	57	19	4.6	101	19	3.9	25.185	-B110	063-12	
50	22	2.0	5.0	17	21	22	50	22	2.0	88	22	2.0	28.808	-B45	063-12	
49	22	4.6	5.0	17	21	22	49	22	4.6	88	22	3.9	28.963	-B110	063-12	
45	24	4.0	4.5	19	19	24	45	24	4.0	79	24	3.4	31.919	-B110	063-12	
44	25	1.8	4.4	19	18	24	44	25	1.8	78	24	1.8	32.593	-B45	063-12	
39	28	3.9	4.0	22	16	28	39	28	3.9	69	28	3.4	36.707	-B110	063-12	
38	29	3.7	3.9	22	16	28	38	29	3.7	68	28	3.2	37.400	-B110	063-12	
38	29	1.6	3.9	22	16	28	38	29	1.6	68	28	1.5	37.481	-B45	063-12	
36	31	3.3	3.6	24	15	30	36	31	3.3	63	30	3.2	40.000	-B110	063-12	
34	32	1.4	3.4	25	14	32	34	32	1.4	60	32	1.4	42.222	-B45	063-12	
33	33	4.6	3.4	26	14	33	33	33	4.6	59	33	4.5	43.267	-B240	063-12	
31	35	3.1	3.2	27	13	35	31	35	3.1	55	35	3.0	46.000	-B110	063-12	
30	37	3.0	3.0	28	13	36	30	37	3.0	53	36	2.9	48.167	-B110	063-12	
29	37	1.2	3.0	29	12	36	29	37	1.2	52	36	1.2	48.556	-B45	063-12	
29	38	4.6	3.0	29	12	37	29	38	4.6	52	37	4.5	49.133	-B240	063-12	
27	40	4.0	2.8	31	11	39	27	40	4.0	48	39	3.9	52.510	-B240	063-12	
27	40	1.7	2.8	31	11	40	27	40	1.7	48	40	1.7	52.698	-B110	063-12	
26	41	1.1	2.7	32	11	40	26	41	1.1	47	40	1.1	53.889	-B45	063-12	
24	46	4.0	2.4	35	10	45	24	46	4.0	43	45	3.9	59.630	-B240	063-12	
24	46	1.7	2.4	36	9.9	46	24	46	1.7	42	46	1.7	60.603	-B110	063-12	
23	47	2.4	2.4	36	9.8	46	23	47	2.4	42	46	2.4	61.045	-B110	063-12	
23	47	1.0	2.3	37	9.7	47	23	47	1.0	41	47	1.0	61.972	-B45	063-12	
21	51	3.1	2.2	40	8.9	50	21	51	3.1	38	50	3.2	67.113	-B240	063-12	
19	58	3.1	1.9	45	7.9	57	19	58	3.1	33	57	3.2	76.213	-B240	063-12	
19	58	1.9	1.9	45	7.8	57	19	58	1.9	33	57	1.9	76.500	-B110	063-12	

g500-B bevel geared motors

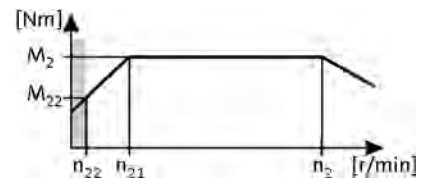


Technical data

Selection tables, 4-pole motors

50 Hz: $P_N = 0.12$ kW
 87 Hz: $P_N = 0.21$ kW

2-stage gearboxes



Mains operation 400 V, 50 Hz			Inverter operation											i	Product		
n ₂ [r/min]	M ₂ [Nm]	c	5 Hz -		- 20 Hz		- 50 Hz (1:10)			- 87 Hz (1:17.4)			g500		MD□MA□□		
			n ₂₂ [r/min]	M ₂₂ [Nm]	n ₂₁ [r/min]	M ₂ [Nm]	n ₂ [r/min]	M ₂ [Nm]	c	n ₂ [r/min]	M ₂ [Nm]	c					
14	77	1.4	1.4	59	6.0	76	14	77	1.4	25	76	1.5	100.786	-B110	063-12		

3-stage gearboxes

Mains operation 400 V, 50 Hz			Inverter operation											i	Product		
n ₂ [r/min]	M ₂ [Nm]	c	5 Hz -		- 20 Hz		- 50 Hz (1:10)			- 87 Hz (1:17.4)			g500		MD□MA□□		
			n ₂₂ [r/min]	M ₂₂ [Nm]	n ₂₁ [r/min]	M ₂ [Nm]	n ₂ [r/min]	M ₂ [Nm]	c	n ₂ [r/min]	M ₂ [Nm]	c					
21	51	4.7	2.1	39	8.8	50	21	51	4.7	37	50	4.6	68.459	-B240	063-12		
18	58	4.2	1.9	45	7.7	57	18	58	4.2	33	57	4.0	77.741	-B240	063-12		
16	65	3.7	1.7	50	6.9	64	16	65	3.7	29	64	3.6	87.563	-B240	063-12		
14	74	3.2	1.5	57	6.0	73	14	74	3.2	26	73	3.1	99.437	-B240	063-12		
13	85	2.8	1.3	65	5.3	83	13	85	2.8	22	83	2.9	113.673	-B240	063-12		
11	96	2.5	1.1	74	4.6	95	11	96	2.5	20	95	2.5	129.087	-B240	063-12		
9.9	110	4.1	1.0	85	4.2	108	9.9	110	4.1	18	108	4.2	144.128	-B450	063-12		
9.8	108	2.2	1.0	84	4.1	107	9.8	108	2.2	17	107	2.3	145.674	-B240	063-12		
8.9	122	3.7	0.9	94	3.8	120	8.9	122	3.7	16	120	3.8	159.807	-B450	063-12		
8.6	123	2.0	0.9	95	3.6	121	8.6	123	2.0	15	121	2.0	165.426	-B240	063-12		
8.1	134	3.4	0.8	103	3.4	131	8.1	134	3.4	15	131	3.4	174.919	-B450	063-12		
7.6	140	1.7	0.8	108	3.2	138	7.6	140	1.7	14	138	1.7	188.442	-B240	063-12		
7.3	148	3.0	0.7	114	3.1	146	7.3	148	3.0	13	146	3.1	193.948	-B450	063-12		
6.7	159	1.5	0.7	123	2.8	157	6.7	159	1.5	12	157	1.5	213.994	-B240	063-12		
6.4	171	2.6	0.6	132	2.7	168	6.4	171	2.6	11	168	2.7	223.563	-B450	063-12		
5.8	183	1.3	0.6	141	2.4	180	5.8	183	1.3	10	180	1.3	245.178	-B240	063-12		
5.7	189	2.4	0.6	146	2.4	186	5.7	189	2.4	10	186	2.4	247.882	-B450	063-12		
5.1	207	1.2	0.5	160	2.2	204	5.1	207	1.2	9.1	204	1.2	278.422	-B240	063-12		
4.5	237	1.0	0.5	182	1.9	233	4.5	237	1.0	8.0	233	1.0	317.617	-B240	063-12		
4.0	269	0.9	0.4	207	1.7	264	4.0	269	0.9	7.0	264	0.9	360.683	-B240	063-12		

g500-B bevel geared motors

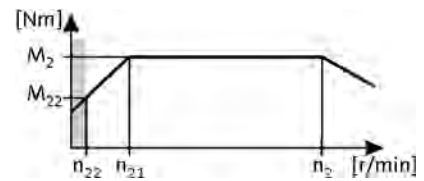


Technical data

Selection tables, 4-pole motors

50 Hz: $P_N = 0.18$ kW
 87 Hz: $P_N = 0.33$ kW

2-stage gearboxes



Mains operation 400 V, 50 Hz			Inverter operation										i	Product		
n_2 [r/min]	M_2 [Nm]	c	5 Hz -		- 20 Hz		- 50 Hz (1:10)			- 87 Hz (1:17.4)				g500	MD□MA□□	
n_{22} [r/min]	M_{22} [Nm]		n_{22} [r/min]	M_{22} [Nm]	n_{21} [r/min]	M_2 [Nm]	n_2 [r/min]	M_2 [Nm]	c	n_2 [r/min]	M_2 [Nm]	c				
252	6.0	4.7	27	5.0	111	6.0	252	6.0	4.7	457	7.0	3.9	5.411	-B45	063-32	
219	7.0	4.7	23	5.7	96	7.0	219	7.0	4.7	398	8.0	3.9	6.222	-B45	063-32	
192	9.0	4.5	20	6.6	84	9.0	192	9.0	4.5	348	9.0	3.7	7.111	-B45	063-32	
167	10	4.5	18	7.5	73	10	167	10	4.5	303	10	3.7	8.178	-B45	063-32	
150	11	4.1	16	8.4	66	11	150	11	4.1	272	11	3.5	9.101	-B45	063-32	
130	13	3.6	14	9.6	57	13	130	13	3.6	237	13	3.0	10.466	-B45	063-32	
119	14	4.5	13	11	52	14	119	14	4.5	216	14	3.7	11.449	-B110	063-32	
117	14	3.2	13	11	52	14	117	14	3.2	213	14	2.7	11.640	-B45	063-32	
108	15	4.1	11	12	47	15	108	15	4.1	195	15	3.5	12.698	-B110	063-32	
102	16	2.8	11	12	45	16	102	16	2.8	185	16	2.4	13.386	-B45	063-32	
94	17	4.1	9.9	14	41	17	94	17	4.1	170	18	3.5	14.603	-B110	063-32	
90	18	2.5	9.6	14	40	18	90	18	2.5	164	18	2.1	15.111	-B45	063-32	
79	21	2.2	8.3	16	35	21	79	21	2.2	142	21	1.8	17.378	-B45	063-32	
71	23	1.9	7.5	18	31	23	71	23	1.9	128	23	1.6	19.365	-B45	063-32	
70	23	3.5	7.4	18	31	23	70	23	3.5	127	24	2.9	19.556	-B110	063-32	
61	27	1.7	6.5	21	27	27	61	27	1.7	111	27	1.4	22.270	-B45	063-32	
61	27	3.5	6.4	21	27	27	61	27	3.5	110	27	2.9	22.489	-B110	063-32	
55	30	1.5	5.8	23	24	30	55	30	1.5	99	30	1.4	25.051	-B45	063-32	
54	30	2.9	5.8	23	24	30	54	30	2.9	98	30	2.5	25.185	-B110	063-32	
47	34	1.3	5.0	27	21	34	47	34	1.3	86	35	1.2	28.808	-B45	063-32	
47	35	2.9	5.0	27	21	35	47	35	2.9	86	35	2.5	28.963	-B110	063-32	
43	38	2.6	4.5	29	19	38	43	38	2.6	78	39	2.2	31.919	-B110	063-32	
42	39	1.2	4.4	30	18	39	42	39	1.2	76	39	1.1	32.593	-B45	063-32	
37	44	2.5	4.0	34	16	44	37	44	2.5	67	44	2.1	36.707	-B110	063-32	
37	45	2.4	3.9	35	16	45	37	45	2.4	66	45	2.0	37.400	-B110	063-32	
36	45	1.0	3.9	35	16	45	36	45	1.0	66	45	1.0	37.481	-B45	063-32	
34	48	2.1	3.6	37	15	48	34	48	2.1	62	48	2.0	40.000	-B110	063-32	
32	51	0.9	3.4	39	14	51	32	51	0.9	59	51	0.9	42.222	-B45	063-32	
32	52	2.9	3.4	40	14	52	32	52	2.9	57	52	2.8	43.267	-B240	063-32	
30	55	2.0	3.2	42	13	55	30	55	2.0	54	56	1.9	46.000	-B110	063-32	
28	58	1.9	3.0	44	13	58	28	58	1.9	51	58	1.8	48.167	-B110	063-32	
28	59	2.9	3.0	45	12	59	28	59	2.9	50	59	2.8	49.133	-B240	063-32	
26	63	2.6	2.8	48	11	63	26	63	2.6	47	64	2.4	52.510	-B240	063-32	
26	63	1.1	2.8	49	11	63	26	63	1.1	47	64	1.0	52.698	-B110	063-32	
23	71	2.6	2.4	55	10	71	23	71	2.6	42	72	2.4	59.630	-B240	063-32	

g500-B bevel geared motors

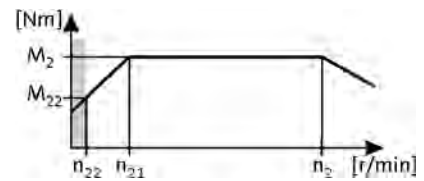


Technical data

Selection tables, 4-pole motors

50 Hz: $P_N = 0.18$ kW
 87 Hz: $P_N = 0.33$ kW

2-stage gearboxes



Mains operation 400 V, 50 Hz			Inverter operation										i	Product		
n ₂ [r/min]	M ₂ [Nm]	c	5 Hz -		- 20 Hz		- 50 Hz (1:10)			- 87 Hz (1:17.4)				g500	MD□MA□□	
			n ₂₂ [r/min]	M ₂₂ [Nm]	n ₂₁ [r/min]	M ₂ [Nm]	n ₂ [r/min]	M ₂ [Nm]	c	n ₂ [r/min]	M ₂ [Nm]	c				
23	73	1.1	2.4	56	9.9	73	23	73	1.1	41	73	1.1	60.603	-B110	063-32	
22	73	1.5	2.4	56	9.8	73	22	73	1.5	41	74	1.5	61.045	-B110	063-32	
20	80	2.0	2.2	62	8.9	80	20	80	2.0	37	81	2.0	67.113	-B240	063-32	
18	91	2.0	1.9	70	7.9	91	18	91	2.0	33	92	2.0	76.213	-B240	063-32	
18	92	1.2	1.9	71	7.8	92	18	92	1.2	32	93	1.2	76.500	-B110	063-32	
14	121	0.9	1.4	93	6.0	121	14	121	0.9	25	122	0.9	100.786	-B110	063-32	

3-stage gearboxes

Mains operation 400 V, 50 Hz			Inverter operation										i	Product		
n ₂ [r/min]	M ₂ [Nm]	c	5 Hz -		- 20 Hz		- 50 Hz (1:10)			- 87 Hz (1:17.4)				g500	MD□MA□□	
			n ₂₂ [r/min]	M ₂₂ [Nm]	n ₂₁ [r/min]	M ₂ [Nm]	n ₂ [r/min]	M ₂ [Nm]	c	n ₂ [r/min]	M ₂ [Nm]	c				
20	80	3.0	2.1	62	8.8	80	20	80	3.0	36	81	2.9	68.459	-B240	063-32	
18	91	2.7	1.9	70	7.7	91	18	91	2.7	32	92	2.5	77.741	-B240	063-32	
16	102	2.4	1.7	79	6.9	102	16	102	2.4	28	103	2.2	87.563	-B240	063-32	
14	116	2.1	1.5	89	6.0	116	14	116	2.1	25	117	2.0	99.437	-B240	063-32	
12	133	1.8	1.3	102	5.3	133	12	133	1.8	22	134	1.8	113.673	-B240	063-32	
11	151	1.6	1.1	116	4.6	151	11	151	1.6	19	152	1.6	129.087	-B240	063-32	
9.5	172	2.6	1.0	133	4.2	172	9.5	172	2.6	17	174	2.6	144.128	-B450	063-32	
9.4	170	1.4	1.0	131	4.1	170	9.4	170	1.4	17	172	1.4	145.674	-B240	063-32	
8.5	191	2.4	0.9	147	3.8	191	8.5	191	2.4	16	193	2.3	159.807	-B450	063-32	
8.3	193	1.2	0.9	149	3.6	193	8.3	193	1.2	15	195	1.2	165.426	-B240	063-32	
7.8	209	2.2	0.8	161	3.4	209	7.8	209	2.2	14	212	2.1	174.919	-B450	063-32	
7.2	220	1.1	0.8	169	3.2	220	7.2	220	1.1	13	222	1.1	188.442	-B240	063-32	
7.0	232	1.9	0.7	179	3.1	232	7.0	232	1.9	13	235	1.9	193.948	-B450	063-32	
6.4	250	1.0	0.7	192	2.8	250	6.4	250	1.0	12	252	1.0	213.994	-B240	063-32	
6.1	267	1.7	0.6	206	2.7	267	6.1	267	1.7	11	270	1.7	223.563	-B450	063-32	
5.6	286	0.8	0.6	220	2.4	286	5.6	286	0.8	10	289	0.8	245.178	-B240	063-32	
5.5	296	1.5	0.6	228	2.4	296	5.5	296	1.5	10	300	1.5	247.882	-B450	063-32	

g500-B bevel geared motors

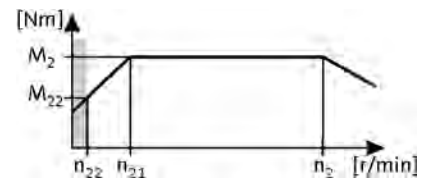


Technical data

Selection tables, 4-pole motors

50 Hz: $P_N = 0.25$ kW
 87 Hz: $P_N = 0.45$ kW

2-stage gearboxes



Mains operation 400 V, 50 Hz			Inverter operation											i	Product		
n ₂ [r/min]	M ₂ [Nm]	c	5 Hz -		- 20 Hz		- 50 Hz (1:10)			- 87 Hz (1:17.4)			g500		MD□MA□□		
			n ₂₂ [r/min]	M ₂₂ [Nm]	n ₂₁ [r/min]	M ₂ [Nm]	n ₂ [r/min]	M ₂ [Nm]	c	n ₂ [r/min]	M ₂ [Nm]	c					
264	9.0	5.6	28	6.6	116	9.0	264	9.0	5.6	478	9.0	4.8	5.185	-B110	063-42		
253	9.0	4.4	27	6.9	111	9.0	253	9.0	4.4	458	9.0	3.7	5.411	-B45	063-42		
230	10	5.6	24	7.6	101	10	230	10	5.6	416	10	4.8	5.963	-B110	063-42		
220	10	3.9	23	7.9	96	10	220	10	3.9	399	10	3.3	6.222	-B45	063-42		
193	12	3.7	20	9.1	84	12	193	12	3.7	349	12	3.1	7.111	-B45	063-42		
193	12	5.6	20	9.1	84	12	193	12	5.6	349	12	4.8	7.111	-B110	063-42		
168	14	3.3	18	10	73	13	168	14	3.3	303	13	2.8	8.178	-B45	063-42		
168	14	5.6	18	10	73	13	168	14	5.6	303	13	4.8	8.178	-B110	063-42		
151	15	3.0	16	12	66	15	151	15	3.0	273	15	2.5	9.101	-B45	063-42		
151	15	5.2	16	12	66	15	151	15	5.2	273	15	4.4	9.101	-B110	063-42		
131	17	2.6	14	13	57	17	131	17	2.6	237	17	2.2	10.466	-B45	063-42		
131	17	5.1	14	13	57	17	131	17	5.1	237	17	4.4	10.466	-B110	063-42		
120	19	4.8	13	15	52	19	120	19	4.8	217	19	4.0	11.449	-B110	063-42		
118	19	2.3	13	15	52	19	118	19	2.3	213	19	2.0	11.640	-B45	063-42		
108	21	4.3	11	16	47	21	108	21	4.3	195	21	3.6	12.698	-B110	063-42		
102	22	2.0	11	17	45	22	102	22	2.0	185	22	1.7	13.386	-B45	063-42		
94	24	3.7	9.9	19	41	24	94	24	3.7	170	24	3.2	14.603	-B110	063-42		
91	25	5.6	9.7	19	40	25	91	25	5.6	165	25	4.8	15.008	-B240	063-42		
91	25	1.8	9.6	19	40	25	91	25	1.8	164	25	1.5	15.111	-B45	063-42		
88	26	3.6	9.3	20	39	26	88	26	3.6	159	26	3.0	15.556	-B110	063-42		
81	28	5.2	8.6	22	36	28	81	28	5.2	147	28	4.4	16.857	-B240	063-42		
79	29	1.6	8.3	22	35	29	79	29	1.6	143	29	1.3	17.378	-B45	063-42		
77	30	3.2	8.1	23	34	29	77	30	3.2	139	29	2.8	17.889	-B110	063-42		
72	32	5.2	7.6	24	31	32	72	32	5.2	130	32	4.4	19.143	-B240	063-42		
71	32	1.4	7.5	25	31	32	71	32	1.4	128	32	1.2	19.365	-B45	063-42		
70	32	3.1	7.4	25	31	32	70	32	3.1	127	32	2.6	19.556	-B110	063-42		
62	37	1.2	6.5	28	27	37	62	37	1.2	111	37	1.0	22.270	-B45	063-42		
61	37	2.8	6.4	29	27	37	61	37	2.8	110	37	2.4	22.489	-B110	063-42		
55	41	1.1	5.8	32	24	41	55	41	1.1	99	41	1.1	25.051	-B45	063-42		
54	42	2.6	5.8	32	24	41	54	42	2.6	99	41	2.2	25.185	-B110	063-42		
51	44	4.3	5.4	34	22	44	51	44	4.3	92	44	3.7	26.878	-B240	063-42		
48	48	0.9	5.0	37	21	47	48	48	0.9	86	47	0.9	28.808	-B45	063-42		
47	48	2.3	5.0	37	21	48	47	48	2.3	86	48	2.0	28.963	-B110	063-42		
45	51	4.3	4.8	39	20	50	45	51	4.3	81	50	3.7	30.522	-B240	063-42		
43	53	2.0	4.5	41	19	53	43	53	2.0	78	53	1.7	31.919	-B110	063-42		

g500-B bevel geared motors

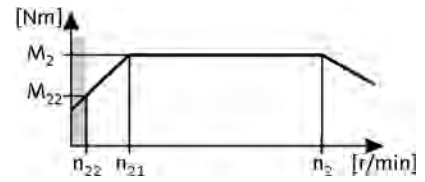


Technical data

Selection tables, 4-pole motors

50 Hz: $P_N = 0.25$ kW
 87 Hz: $P_N = 0.45$ kW

2-stage gearboxes



Mains operation 400 V, 50 Hz			Inverter operation										i	Product		
n ₂ [r/min]	M ₂ [Nm]	c	5 Hz -		- 20 Hz		- 50 Hz (1:10)			- 87 Hz (1:17.4)				g500	MD□MA□□	
			n ₂₂ [r/min]	M ₂₂ [Nm]	n ₂₁ [r/min]	M ₂ [Nm]	n ₂ [r/min]	M ₂ [Nm]	c	n ₂ [r/min]	M ₂ [Nm]	c	n ₂ [r/min]			M ₂ [Nm]
42	54	0.8	4.4	42	18	54	42	54	0.8	76	54	0.8	32.593	-B45	063-42	
41	55	3.7	4.3	43	18	55	41	55	3.7	74	55	3.1	33.433	-B240	063-42	
37	61	1.8	4.0	47	16	60	37	61	1.8	68	60	1.5	36.707	-B110	063-42	
37	62	1.7	3.9	48	16	62	37	62	1.7	66	62	1.5	37.400	-B110	063-42	
36	63	3.7	3.8	48	16	62	36	63	3.7	65	62	3.1	37.967	-B240	063-42	
34	66	1.2	3.6	51	15	66	34	66	1.2	62	66	1.2	40.000	-B110	063-42	
32	72	3.3	3.4	55	14	71	32	72	3.3	57	71	3.2	43.267	-B240	063-42	
30	76	1.2	3.2	59	13	76	30	76	1.2	54	76	1.2	46.000	-B110	063-42	
28	80	1.4	3.0	61	13	79	28	80	1.4	52	79	1.3	48.167	-B110	063-42	
28	81	3.0	3.0	63	12	81	28	81	3.0	51	81	2.9	49.133	-B240	063-42	
26	87	2.7	2.8	67	11	86	26	87	2.7	47	86	2.6	52.510	-B240	063-42	
23	99	2.4	2.4	76	10	98	23	99	2.4	42	98	2.4	59.630	-B240	063-42	
22	101	1.1	2.4	78	9.8	100	22	101	1.1	41	100	1.1	61.045	-B110	063-42	
20	111	1.4	2.2	86	8.9	110	20	111	1.4	37	110	1.4	67.113	-B240	063-42	
18	126	1.4	1.9	97	7.9	125	18	126	1.4	33	125	1.4	76.213	-B240	063-42	
18	127	0.9	1.9	98	7.8	126	18	127	0.9	32	126	0.9	76.500	-B110	063-42	

3-stage gearboxes

Mains operation 400 V, 50 Hz			Inverter operation										i	Product		
n ₂ [r/min]	M ₂ [Nm]	c	5 Hz -		- 20 Hz		- 50 Hz (1:10)			- 87 Hz (1:17.4)				g500	MD□MA□□	
			n ₂₂ [r/min]	M ₂₂ [Nm]	n ₂₁ [r/min]	M ₂ [Nm]	n ₂ [r/min]	M ₂ [Nm]	c	n ₂ [r/min]	M ₂ [Nm]	c	n ₂ [r/min]			M ₂ [Nm]
77	30	5.6	8.1	23	34	29	77	30	5.6	139	29	4.8	17.885	-B450	063-42	
69	33	5.6	7.3	25	30	33	69	33	5.6	125	33	4.8	19.831	-B450	063-42	
60	38	5.2	6.4	29	26	38	60	38	5.2	109	38	4.4	22.813	-B450	063-42	
54	42	5.2	5.7	32	24	42	54	42	5.2	98	42	4.4	25.294	-B450	063-42	
38	60	4.3	4.0	46	17	60	38	60	4.3	68	60	3.7	36.373	-B450	063-42	
34	67	4.3	3.6	51	15	66	34	67	4.3	62	66	4.2	40.330	-B450	063-42	
30	75	3.7	3.2	58	13	74	30	75	3.7	55	74	3.5	45.245	-B450	063-42	
27	83	3.7	2.9	64	12	83	27	83	3.7	49	83	3.5	50.167	-B450	063-42	
24	93	4.8	2.6	72	11	92	24	93	4.8	44	92	4.7	56.154	-B450	063-42	
22	103	4.4	2.3	79	9.6	102	22	103	4.4	40	102	4.2	62.262	-B450	063-42	
20	112	3.7	2.1	86	8.9	111	20	112	3.7	37	111	3.5	67.513	-B600	063-42	
20	110	2.2	2.1	85	8.8	110	20	110	2.2	36	110	2.1	68.459	-B240	063-42	
18	125	1.9	1.9	97	7.7	125	18	125	1.9	32	125	1.9	77.741	-B240	063-42	
17	136	3.2	1.8	104	7.3	135	17	136	3.2	30	135	3.1	81.937	-B600	063-42	
16	141	1.7	1.7	109	6.9	140	16	141	1.7	28	140	1.6	87.563	-B240	063-42	
15	148	3.0	1.6	114	6.7	147	15	148	3.0	28	147	2.9	89.534	-B450	063-42	
14	164	2.7	1.5	127	6.0	163	14	164	2.7	25	163	2.7	99.274	-B450	063-42	
14	160	1.5	1.5	124	6.0	160	14	160	1.5	25	160	1.5	99.437	-B240	063-42	
12	184	2.4	1.3	142	5.4	183	12	184	2.4	22	183	2.5	111.372	-B450	063-42	

g500-B bevel geared motors

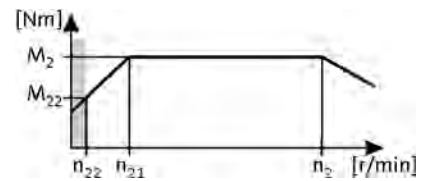


Technical data

Selection tables, 4-pole motors

50 Hz: $P_N = 0.25$ kW
 87 Hz: $P_N = 0.45$ kW

3-stage gearboxes



Mains operation 400 V, 50 Hz			Inverter operation										i	Product		
n ₂ [r/min]	M ₂ [Nm]	c	5 Hz -		- 20 Hz		- 50 Hz (1:10)			- 87 Hz (1:17.4)				g500	MD□MA□□	
			n ₂₂ [r/min]	M ₂₂ [Nm]	n ₂₁ [r/min]	M ₂ [Nm]	n ₂ [r/min]	M ₂ [Nm]	c	n ₂ [r/min]	M ₂ [Nm]	c	n ₂ [r/min]			M ₂ [Nm]
12	183	1.3	1.3	141	5.3	182	12	183	1.3	22	182	1.3	113.673	-B240	063-42	
12	192	3.1	1.2	148	5.2	191	12	192	3.1	21	191	3.1	116.175	-B600	063-42	
11	204	2.2	1.2	157	4.9	203	11	204	2.2	20	203	2.2	123.487	-B450	063-42	
11	208	1.2	1.1	160	4.6	207	11	208	1.2	19	207	1.2	129.087	-B240	063-42	
9.7	233	2.6	1.0	180	4.3	232	9.7	233	2.6	18	232	2.6	140.995	-B600	063-42	
9.5	239	1.9	1.0	184	4.2	237	9.5	239	1.9	17	237	1.9	144.128	-B450	063-42	
9.4	235	1.0	1.0	181	4.1	234	9.4	235	1.0	17	234	1.0	145.674	-B240	063-42	
9.3	245	3.4	1.0	189	4.1	244	9.3	245	3.4	17	244	3.4	148.000	-B820	063-42	
8.6	265	1.7	0.9	204	3.8	263	8.6	265	1.7	16	263	1.7	159.807	-B450	063-42	
8.4	271	2.2	0.9	209	3.7	270	8.4	271	2.2	15	270	2.2	163.810	-B600	063-42	
8.3	267	0.9	0.9	206	3.6	265	8.3	267	0.9	15	265	0.9	165.426	-B240	063-42	
8.3	274	3.0	0.9	211	3.6	272	8.3	274	3.0	15	272	3.0	165.467	-B820	063-42	
7.8	290	1.6	0.8	223	3.4	288	7.8	290	1.6	14	288	1.6	174.919	-B450	063-42	
7.7	295	2.0	0.8	227	3.4	293	7.7	295	2.0	14	293	2.1	178.224	-B600	063-42	
7.6	297	2.8	0.8	229	3.3	296	7.6	297	2.8	14	296	2.8	179.618	-B820	063-42	
7.1	321	1.4	0.7	247	3.1	319	7.1	321	1.4	13	319	1.4	193.948	-B450	063-42	
6.9	329	1.8	0.7	253	3.0	327	6.9	329	1.8	13	327	1.8	198.805	-B600	063-42	
6.8	332	2.5	0.7	256	3.0	331	6.8	332	2.5	12	331	2.5	200.816	-B820	063-42	
6.1	370	1.2	0.6	285	2.7	368	6.1	370	1.2	11	368	1.2	223.563	-B450	063-42	
6.0	376	2.2	0.6	289	2.6	374	6.0	376	2.2	11	374	2.2	227.045	-B820	063-42	
5.5	410	1.1	0.6	316	2.4	408	5.5	410	1.1	10	408	1.1	247.882	-B450	063-42	
5.5	416	1.4	0.6	320	2.4	414	5.5	416	1.4	9.9	414	1.5	251.299	-B600	063-42	
5.4	420	2.0	0.6	324	2.4	418	5.4	420	2.0	9.8	418	2.0	253.841	-B820	063-42	

g500-B bevel geared motors

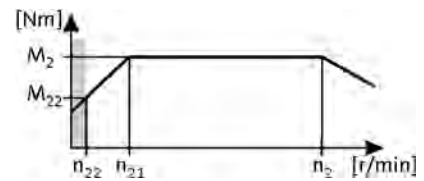


Technical data

Selection tables, 4-pole motors

50 Hz: $P_N = 0.37$ kW
 87 Hz: $P_N = 0.66$ kW

2-stage gearboxes



Mains operation 400 V, 50 Hz			Inverter operation										i	Product		
n ₂ [r/min]	M ₂ [Nm]	c	5 Hz -		- 20 Hz		- 50 Hz (1:10)			- 87 Hz (1:17.4)				g500	MD□MA□□	
			n ₂₂ [r/min]	M ₂₂ [Nm]	n ₂₁ [r/min]	M ₂ [Nm]	n ₂ [r/min]	M ₂ [Nm]	c	n ₂ [r/min]	M ₂ [Nm]	c	n ₂ [r/min]			M ₂ [Nm]
272	12	4.9	28	9.5	116	12	272	12	4.9	486	12	4.1	5.185	-B110	071-32	
261	13	3.0	27	9.9	111	13	261	13	3.0	466	13	2.6	5.411	-B45	071-32	
237	14	4.9	24	11	101	14	237	14	4.9	423	14	4.1	5.963	-B110	071-32	
227	15	2.7	23	11	96	15	227	15	2.7	405	15	2.3	6.222	-B45	071-32	
198	17	2.5	20	13	84	17	198	17	2.5	354	17	2.1	7.111	-B45	071-32	
198	17	4.6	20	13	84	17	198	17	4.6	354	17	3.8	7.111	-B110	071-32	
172	19	2.3	18	15	73	19	172	19	2.3	308	19	1.9	8.178	-B45	071-32	
172	19	4.2	18	15	73	19	172	19	4.2	308	19	3.5	8.178	-B110	071-32	
155	22	2.1	16	17	66	22	155	22	2.1	277	22	1.8	9.101	-B45	071-32	
155	22	3.9	16	17	66	22	155	22	3.9	277	22	3.3	9.101	-B110	071-32	
135	25	1.8	14	19	57	25	135	25	1.8	241	25	1.5	10.466	-B45	071-32	
135	25	3.6	14	19	57	25	135	25	3.6	241	25	3.0	10.466	-B110	071-32	
123	27	3.3	13	21	52	27	123	27	3.3	220	27	2.8	11.449	-B110	071-32	
121	28	1.6	13	21	52	28	121	28	1.6	217	28	1.4	11.640	-B45	071-32	
111	30	3.0	11	23	47	30	111	30	3.0	198	30	2.5	12.698	-B110	071-32	
105	32	1.4	11	25	45	32	105	32	1.4	188	32	1.2	13.386	-B45	071-32	
97	35	2.6	9.9	27	41	35	97	35	2.6	173	35	2.2	14.603	-B110	071-32	
94	36	4.9	9.7	28	40	36	94	36	4.9	168	36	4.1	15.008	-B240	071-32	
93	36	1.3	9.6	28	40	36	93	36	1.3	167	36	1.1	15.111	-B45	071-32	
91	37	2.5	9.3	29	39	37	91	37	2.5	162	37	2.1	15.556	-B110	071-32	
84	40	4.5	8.6	31	36	40	84	40	4.5	150	40	3.8	16.857	-B240	071-32	
81	41	1.1	8.3	32	35	41	81	41	1.1	145	41	0.9	17.378	-B45	071-32	
79	43	2.3	8.1	33	34	43	79	43	2.3	141	43	1.9	17.889	-B110	071-32	
74	46	4.5	7.6	35	31	45	74	46	4.5	132	45	3.8	19.143	-B240	071-32	
73	46	1.0	7.5	36	31	46	73	46	1.0	130	46	0.8	19.365	-B45	071-32	
72	47	2.2	7.4	36	31	46	72	47	2.2	129	46	1.8	19.556	-B110	071-32	
63	53	0.9	6.5	41	27	53	63	53	0.9				22.270	-B45	071-32	
63	54	1.9	6.4	41	27	53	63	54	1.9	112	53	1.6	22.489	-B110	071-32	
56	60	1.8	5.8	46	24	60	56	60	1.8	100	60	1.5	25.185	-B110	071-32	
53	64	3.7	5.4	49	22	64	53	64	3.7	94	64	3.2	26.878	-B240	071-32	
49	69	1.6	5.0	53	21	69	49	69	1.6	87	69	1.3	28.963	-B110	071-32	
46	73	3.3	4.8	56	20	73	46	73	3.3	83	73	2.8	30.522	-B240	071-32	
44	76	1.4	4.5	59	19	76	44	76	1.4	79	76	1.2	31.919	-B110	071-32	
42	80	3.0	4.3	61	18	79	42	80	3.0	75	79	2.5	33.433	-B240	071-32	
38	87	1.3	4.0	67	16	87	38	87	1.3	69	87	1.1	36.707	-B110	071-32	

g500-B bevel geared motors

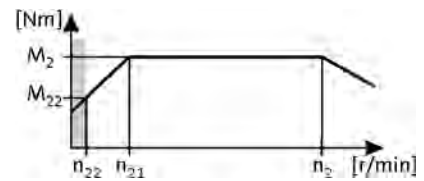


Technical data

Selection tables, 4-pole motors

50 Hz: $P_N = 0.37$ kW
 87 Hz: $P_N = 0.66$ kW

2-stage gearboxes



Mains operation 400 V, 50 Hz			Inverter operation										i	Product			
n_2 [r/min]	M_2 [Nm]	c	5 Hz -		- 20 Hz		- 50 Hz (1:10)			- 87 Hz (1:17.4)				g500	MD□MA□□		
n_{22} [r/min]	M_{22} [Nm]		n_{22} [r/min]	M_{22} [Nm]	n_{21} [r/min]	M_2 [Nm]	n_2 [r/min]	M_2 [Nm]	c	n_2 [r/min]	M_2 [Nm]	c	n_2 [r/min]	M_2 [Nm]	c		
38	89	1.2	3.9	69	16	89	38	89	1.2	67	89	1.0	37.400	-B110	071-32		
37	90	2.7	3.8	70	16	90	37	90	2.7	66	90	2.2	37.967	-B240	071-32		
35	95	1.1	3.6	73	15	95	35	95	1.1	63	95	1.0	40.000	-B110	071-32		
33	103	2.3	3.4	79	14	103	33	103	2.3	58	103	2.2	43.267	-B240	071-32		
31	110	1.0	3.2	84	13	109	31	110	1.0	55	109	1.0	46.000	-B110	071-32		
29	115	1.0	3.0	88	13	114	29	115	1.0	52	114	0.9	48.167	-B110	071-32		
29	117	2.1	3.0	90	12	117	29	117	2.1	51	117	2.0	49.133	-B240	071-32		
27	125	1.9	2.8	96	11	125	27	125	1.9	48	125	1.8	52.510	-B240	071-32		
24	142	1.7	2.4	109	10	142	24	142	1.7	42	142	1.6	59.630	-B240	071-32		
21	160	1.1	2.2	123	8.9	159	21	160	1.1	38	159	1.1	67.113	-B240	071-32		
19	181	1.1	1.9	140	7.9	181	19	181	1.1	33	181	1.1	76.213	-B240	071-32		

3-stage gearboxes

Mains operation 400 V, 50 Hz			Inverter operation										i	Product			
n_2 [r/min]	M_2 [Nm]	c	5 Hz -		- 20 Hz		- 50 Hz (1:10)			- 87 Hz (1:17.4)				g500	MD□MA□□		
n_{22} [r/min]	M_{22} [Nm]		n_{22} [r/min]	M_{22} [Nm]	n_{21} [r/min]	M_2 [Nm]	n_2 [r/min]	M_2 [Nm]	c	n_2 [r/min]	M_2 [Nm]	c	n_2 [r/min]	M_2 [Nm]	c		
79	43	4.9	8.1	33	34	42	79	43	4.9	141	42	4.1	17.885	-B450	071-32		
71	47	4.9	7.3	36	30	47	71	47	4.9	127	47	4.1	19.831	-B450	071-32		
62	54	4.5	6.4	42	26	54	62	54	4.5	111	54	3.8	22.813	-B450	071-32		
56	60	4.5	5.7	46	24	60	56	60	4.5	100	60	3.8	25.294	-B450	071-32		
39	87	3.7	4.0	67	17	86	39	87	3.7	69	86	3.2	36.373	-B450	071-32		
35	96	3.7	3.6	74	15	96	35	96	3.7	63	96	3.6	40.330	-B450	071-32		
31	108	3.2	3.2	83	13	107	31	108	3.2	56	107	3.0	45.245	-B450	071-32		
28	119	3.2	2.9	92	12	119	28	119	3.2	50	119	3.0	50.167	-B450	071-32		
25	134	3.4	2.6	103	11	133	25	134	3.4	45	133	3.2	56.154	-B450	071-32		
23	148	3.0	2.3	114	9.6	148	23	148	3.0	41	148	2.9	62.262	-B450	071-32		
21	161	3.2	2.1	124	8.9	160	21	161	3.2	37	160	3.0	67.513	-B600	071-32		
21	159	1.5	2.1	122	8.8	159	21	159	1.5	37	159	1.5	68.459	-B240	071-32		
18	180	1.3	1.9	139	7.7	180	18	180	1.3	32	180	1.3	77.741	-B240	071-32		
17	195	2.8	1.8	150	7.3	195	17	195	2.8	31	195	2.7	81.937	-B600	071-32		
16	203	1.2	1.7	157	6.9	203	16	203	1.2	29	203	1.1	87.563	-B240	071-32		
16	213	2.1	1.6	164	6.7	213	16	213	2.1	28	213	2.0	89.534	-B450	071-32		
14	236	1.9	1.5	182	6.0	236	14	236	1.9	25	236	1.8	99.274	-B450	071-32		
14	231	1.0	1.5	178	6.0	230	14	231	1.0	25	230	1.0	99.437	-B240	071-32		
13	265	1.7	1.3	204	5.4	265	13	265	1.7	23	265	1.7	111.372	-B450	071-32		
12	264	0.9	1.3	203	5.3	263	12	264	0.9	22	263	0.9	113.673	-B240	071-32		
12	277	2.2	1.2	213	5.2	276	12	277	2.2	22	276	2.2	116.175	-B600	071-32		
11	294	1.5	1.2	226	4.9	293	11	294	1.5	20	293	1.5	123.487	-B450	071-32		
10	336	1.8	1.0	258	4.3	335	10	336	1.8	18	335	1.8	140.995	-B600	071-32		
9.8	343	1.3	1.0	264	4.2	342	9.8	343	1.3	18	342	1.3	144.128	-B450	071-32		

g500-B bevel geared motors

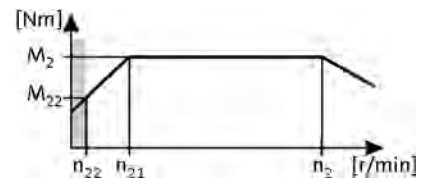


Technical data

Selection tables, 4-pole motors

50 Hz: $P_N = 0.37$ kW
 87 Hz: $P_N = 0.66$ kW

3-stage gearboxes



Mains operation 400 V, 50 Hz			Inverter operation										i	Product		
n_2 [r/min]	M_2 [Nm]	c	5 Hz -		- 20 Hz		- 50 Hz (1:10)			- 87 Hz (1:17.4)				g500	MD□MA□□	
n_2 [r/min]	M_2 [Nm]	c	n_{22} [r/min]	M_{22} [Nm]	n_{21} [r/min]	M_2 [Nm]	n_2 [r/min]	M_2 [Nm]	c	n_2 [r/min]	M_2 [Nm]	c				
9.5	352	2.3	1.0	271	4.1	352	9.5	352	2.3	17	352	2.3	148.000	-B820	071-32	
8.8	380	1.2	0.9	293	3.8	380	8.8	380	1.2	16	380	1.2	159.807	-B450	071-32	
8.6	390	1.5	0.9	300	3.7	389	8.6	390	1.5	15	389	1.5	163.810	-B600	071-32	
8.5	394	2.1	0.9	303	3.6	393	8.5	394	2.1	15	393	2.1	165.467	-B820	071-32	
8.1	416	1.1	0.8	321	3.4	416	8.1	416	1.1	14	416	1.1	174.919	-B450	071-32	
7.9	424	1.4	0.8	327	3.4	423	7.9	424	1.4	14	423	1.4	178.224	-B600	071-32	
7.8	428	1.9	0.8	329	3.3	427	7.8	428	1.9	14	427	1.9	179.618	-B820	071-32	
7.3	462	1.0	0.7	356	3.1	461	7.3	462	1.0	13	461	1.0	193.948	-B450	071-32	
7.1	473	1.3	0.7	364	3.0	472	7.1	473	1.3	13	472	1.3	198.805	-B600	071-32	
7.0	478	1.7	0.7	368	3.0	477	7.0	478	1.7	13	477	1.7	200.816	-B820	071-32	
6.3	532	0.9	0.6	410	2.7	531	6.3	532	0.9	11	531	0.9	223.563	-B450	071-32	
6.2	540	1.5	0.6	416	2.6	539	6.2	540	1.5	11	539	1.5	227.045	-B820	071-32	
5.6	598	1.0	0.6	461	2.4	597	5.6	598	1.0	10	597	1.0	251.299	-B600	071-32	
5.6	604	1.4	0.6	465	2.4	603	5.6	604	1.4	9.9	603	1.4	253.841	-B820	071-32	

g500-B bevel geared motors

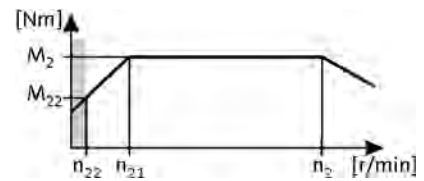


Technical data

Selection tables, 4-pole motors

50 Hz: $P_N = 0.55 \text{ kW}$
 87 Hz: $P_N = 1.0 \text{ kW}$

2-stage gearboxes



Mains operation 400 V, 50 Hz			Inverter operation										i	Product		
n_2 [r/min]	M_2 [Nm]	c	5 Hz -		- 20 Hz		- 50 Hz (1:10)			- 87 Hz (1:17.4)				g500	MD□MA□□	
n_{22} [r/min]	M_{22} [Nm]		n_{22} [r/min]	M_{22} [Nm]	n_{21} [r/min]	M_2 [Nm]	n_2 [r/min]	M_2 [Nm]	c	n_2 [r/min]	M_2 [Nm]	c				
394	13	5.1	41	9.7	168	13	394	13	5.1	706	13	4.3	3.565	-B240	071-42	
271	18	3.8	28	14	116	18	271	18	3.8	485	19	3.1	5.185	-B110	071-42	
260	19	2.0	27	15	111	19	260	19	2.0	465	20	1.7	5.411	-B45	071-42	
236	21	3.4	24	16	101	21	236	21	3.4	422	22	2.8	5.963	-B110	071-42	
226	22	1.8	23	17	96	22	226	22	1.8	404	22	1.5	6.222	-B45	071-42	
225	22	4.5	23	17	96	22	225	22	4.5	402	23	3.7	6.257	-B240	071-42	
204	24	5.1	21	19	87	24	204	24	5.1	365	25	4.3	6.883	-B240	071-42	
198	25	1.7	20	19	84	25	198	25	1.7	354	26	1.4	7.111	-B45	071-42	
198	25	3.1	20	19	84	25	198	25	3.1	354	26	2.5	7.111	-B110	071-42	
180	28	5.1	19	21	77	28	180	28	5.1	322	28	4.3	7.817	-B240	071-42	
172	29	1.5	18	22	73	29	172	29	1.5	308	29	1.3	8.178	-B45	071-42	
172	29	2.8	18	22	73	29	172	29	2.8	308	29	2.3	8.178	-B110	071-42	
154	32	1.4	16	25	66	32	154	32	1.4	276	33	1.2	9.101	-B45	071-42	
154	32	2.6	16	25	66	32	154	32	2.6	276	33	2.2	9.101	-B110	071-42	
134	37	1.2	14	29	57	37	134	37	1.2	240	38	1.0	10.466	-B45	071-42	
134	37	2.4	14	29	57	37	134	37	2.4	240	38	2.0	10.466	-B110	071-42	
123	41	2.2	13	31	52	41	123	41	2.2	220	41	1.8	11.449	-B110	071-42	
121	41	1.1	13	32	52	41	121	41	1.1	216	42	0.9	11.640	-B45	071-42	
116	43	4.5	12	33	50	43	116	43	4.5	208	44	3.7	12.081	-B240	071-42	
111	45	2.0	11	35	47	45	111	45	2.0	198	46	1.7	12.698	-B110	071-42	
105	48	1.0	11	37	45	48	105	48	1.0				13.386	-B45	071-42	
102	49	4.5	11	38	44	49	102	49	4.5	183	49	3.7	13.719	-B240	071-42	
96	52	1.7	9.9	40	41	52	96	52	1.7	172	53	1.4	14.603	-B110	071-42	
94	53	4.2	9.7	41	40	53	94	53	4.2	168	54	3.5	15.008	-B240	071-42	
93	54	0.8	9.6	41	40	54	93	54	0.8				15.111	-B45	071-42	
90	55	1.7	9.3	43	39	55	90	55	1.7	162	56	1.4	15.556	-B110	071-42	
83	60	4.0	8.6	46	36	60	83	60	4.0	149	61	3.3	16.857	-B240	071-42	
79	64	1.5	8.1	49	34	64	79	64	1.5	141	65	1.3	17.889	-B110	071-42	
73	68	3.5	7.6	52	31	68	73	68	3.5	131	69	2.9	19.143	-B240	071-42	
72	69	1.4	7.4	54	31	69	72	69	1.4	129	71	1.2	19.556	-B110	071-42	
68	73	3.3	7.0	57	29	73	68	73	3.3	122	74	2.7	20.650	-B240	071-42	
63	80	1.3	6.4	62	27	80	63	80	1.3	112	81	1.1	22.489	-B110	071-42	
60	83	2.9	6.2	64	26	83	60	83	2.9	107	85	2.4	23.450	-B240	071-42	
56	89	1.2	5.8	69	24	89	56	89	1.2	100	91	1.0	25.185	-B110	071-42	
52	95	2.5	5.4	74	22	95	52	95	2.5	94	97	2.1	26.878	-B240	071-42	

g500-B bevel geared motors

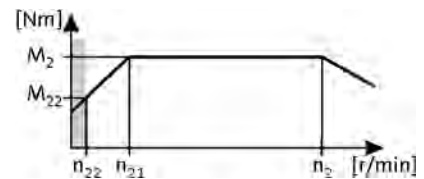


Technical data

Selection tables, 4-pole motors

50 Hz: $P_N = 0.55 \text{ kW}$
 87 Hz: $P_N = 1.0 \text{ kW}$

2-stage gearboxes



Mains operation 400 V, 50 Hz			Inverter operation										i	Product		
n ₂ [r/min]	M ₂ [Nm]	c	5 Hz -		- 20 Hz		- 50 Hz (1:10)			- 87 Hz (1:17.4)				g500	MD□MA□□	
			n ₂₂ [r/min]	M ₂₂ [Nm]	n ₂₁ [r/min]	M ₂ [Nm]	n ₂ [r/min]	M ₂ [Nm]	c	n ₂ [r/min]	M ₂ [Nm]	c				
49	103	1.1	5.0	79	21	103	49	103	1.1	87	104	0.9	28.963	-B110	071-42	
46	108	2.2	4.8	84	20	108	46	108	2.2	82	110	1.8	30.522	-B240	071-42	
42	119	2.0	4.3	91	18	119	42	119	2.0	75	121	1.7	33.433	-B240	071-42	
37	135	1.8	3.8	104	16	135	37	135	1.8	66	137	1.5	37.967	-B240	071-42	
33	154	1.6	3.4	118	14	154	33	154	1.6	58	156	1.5	43.267	-B240	071-42	
29	174	1.4	3.0	134	12	174	29	174	1.4	51	177	1.3	49.133	-B240	071-42	
27	186	1.3	2.8	144	11	186	27	186	1.3	48	189	1.2	52.510	-B240	071-42	
24	212	1.1	2.4	163	10	212	24	212	1.1	42	215	1.1	59.630	-B240	071-42	

3-stage gearboxes

Mains operation 400 V, 50 Hz			Inverter operation										i	Product		
n ₂ [r/min]	M ₂ [Nm]	c	5 Hz -		- 20 Hz		- 50 Hz (1:10)			- 87 Hz (1:17.4)				g500	MD□MA□□	
			n ₂₂ [r/min]	M ₂₂ [Nm]	n ₂₁ [r/min]	M ₂ [Nm]	n ₂ [r/min]	M ₂ [Nm]	c	n ₂ [r/min]	M ₂ [Nm]	c				
281	18	5.1	29	14	120	18	281	18	5.1	503	18	4.3	5.002	-B450	071-42	
151	33	5.1	16	26	64	33	151	33	5.1	270	34	4.3	9.315	-B450	071-42	
136	37	5.1	14	28	58	37	136	37	5.1	244	37	4.3	10.328	-B450	071-42	
116	43	4.5	12	33	49	43	116	43	4.5	207	44	3.7	12.143	-B820	071-42	
86	58	4.5	8.9	45	37	58	86	58	4.5	154	59	3.7	16.349	-B450	071-42	
79	64	4.5	8.1	49	34	64	79	64	4.5	141	65	3.8	17.885	-B450	071-42	
75	66	4.5	7.8	51	32	66	75	66	4.5	135	67	3.7	18.655	-B820	071-42	
71	70	4.5	7.3	54	30	70	71	70	4.5	127	72	3.8	19.831	-B450	071-42	
67	74	4.5	7.0	57	29	74	67	74	4.5	121	75	3.7	20.857	-B820	071-42	
62	81	4.2	6.4	62	26	81	62	81	4.2	110	82	3.5	22.813	-B450	071-42	
56	90	4.2	5.7	69	24	90	56	90	4.2	99	91	3.5	25.294	-B450	071-42	
50	99	3.7	5.2	76	22	101	50	99	3.7	90	101	3.1	27.945	-B450	071-42	
47	106	3.7	4.9	81	20	106	47	106	3.7	85	107	3.1	29.744	-B600	071-42	
47	106	3.7	4.9	81	20	106	47	106	3.7	85	107	3.1	29.745	-B820	071-42	
45	110	3.7	4.7	85	19	110	45	110	3.7	81	112	3.1	30.985	-B450	071-42	
39	129	3.4	4.0	99	17	129	39	129	3.4	69	131	2.8	36.373	-B450	071-42	
38	131	3.2	3.9	101	16	131	38	131	3.2	68	133	2.6	36.999	-B600	071-42	
38	131	3.2	3.9	101	16	131	38	131	3.2	68	133	2.6	37.000	-B820	071-42	
35	143	3.1	3.6	110	15	143	35	143	3.1	62	145	3.0	40.330	-B450	071-42	
34	149	3.7	3.5	115	14	149	34	149	3.7	60	151	3.5	41.940	-B600	071-42	
31	161	2.8	3.2	124	13	161	31	161	2.8	56	163	2.6	45.245	-B450	071-42	
28	178	2.5	2.9	137	12	178	28	178	2.5	50	181	2.4	50.167	-B450	071-42	
25	199	2.3	2.6	154	11	199	25	199	2.3	45	203	2.1	56.154	-B450	071-42	
24	205	4.0	2.5	158	10	205	24	205	4.0	44	208	3.8	57.662	-B820	071-42	
23	221	2.0	2.3	170	9.6	221	23	221	2.0	40	225	1.9	62.262	-B450	071-42	
22	227	2.7	2.3	175	9.4	227	22	227	2.7	39	230	2.5	63.822	-B600	071-42	
22	229	3.6	2.2	176	9.3	229	22	229	3.6	39	233	3.4	64.468	-B820	071-42	

g500-B bevel geared motors

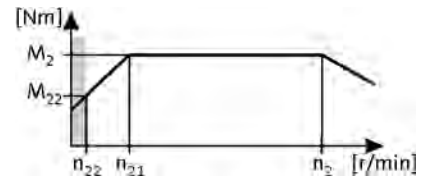


Technical data

Selection tables, 4-pole motors

50 Hz: $P_N = 0.55 \text{ kW}$
 87 Hz: $P_N = 1.0 \text{ kW}$

3-stage gearboxes



Mains operation 400 V, 50 Hz			Inverter operation										i	Product		
n_2 [r/min]	M_2 [Nm]	c	5 Hz -		- 20 Hz		- 50 Hz (1:10)			- 87 Hz (1:17.4)				g500	MD□MA□□	
n_{22} [r/min]	M_{22} [Nm]		n_{22} [r/min]	M_{22} [Nm]	n_{21} [r/min]	M_2 [Nm]	n_2 [r/min]	M_2 [Nm]	c	n_2 [r/min]	M_2 [Nm]	c				
21	240	2.5	2.1	185	8.9	240	21	240	2.5	37	243	2.4	67.513	-B600	071-42	
21	237	1.0	2.1	183	8.8	237	21	237	1.0	37	241	1.0	68.459	-B240	071-42	
20	244	1.8	2.1	188	8.7	244	20	244	1.8	37	248	1.7	68.788	-B450	071-42	
20	256	2.3	2.0	197	8.3	256	20	256	2.3	35	260	2.2	72.170	-B600	071-42	
19	266	3.2	1.9	205	8.0	266	19	266	3.2	34	270	3.0	74.963	-B1500	071-42	
18	271	1.7	1.9	209	7.9	271	18	271	1.7	33	275	1.6	76.271	-B450	071-42	
18	269	0.9	1.9	207	7.7	269	18	269	0.9	32	273	0.8	77.741	-B240	071-42	
17	291	2.1	1.8	224	7.3	291	17	291	2.1	31	296	1.9	81.937	-B600	071-42	
17	294	2.8	1.8	226	7.2	294	17	294	2.8	30	298	2.6	82.762	-B1500	071-42	
16	318	1.4	1.6	245	6.7	318	16	318	1.4	28	323	1.3	89.534	-B450	071-42	
16	319	1.9	1.6	245	6.7	319	16	319	1.9	28	324	1.8	89.772	-B600	071-42	
15	323	2.8	1.6	249	6.6	323	15	323	2.8	28	328	2.6	90.978	-B1500	071-42	
15	326	2.5	1.6	251	6.5	326	15	326	2.5	27	332	2.4	91.939	-B820	071-42	
14	352	1.3	1.5	271	6.0	352	14	352	1.3	25	358	1.2	99.274	-B450	071-42	
14	361	1.7	1.4	278	5.9	361	14	361	1.7	25	367	1.6	101.760	-B600	071-42	
14	365	2.3	1.4	281	5.8	365	14	365	2.3	25	371	2.1	102.790	-B820	071-42	
13	395	1.1	1.3	305	5.4	395	13	395	1.1	23	402	1.1	111.372	-B450	071-42	
12	406	2.0	1.3	313	5.2	406	12	406	2.0	22	412	2.0	114.364	-B820	071-42	
12	413	1.5	1.2	318	5.2	413	12	413	1.5	22	419	1.4	116.175	-B600	071-42	
11	438	1.0	1.2	338	4.9	438	11	438	1.0	20	445	1.0	123.487	-B450	071-42	
11	449	1.3	1.1	346	4.7	449	11	449	1.3	20	457	1.3	126.580	-B600	071-42	
11	454	1.8	1.1	350	4.7	454	11	454	1.8	20	461	1.8	127.861	-B820	071-42	
10	501	1.2	1.0	386	4.3	501	10	501	1.2	18	509	1.2	140.995	-B600	071-42	
9.7	512	0.9	1.0	394	4.2	512	9.7	512	0.9	17	520	0.9	144.128	-B450	071-42	
9.5	526	1.6	1.0	405	4.1	526	9.5	526	1.6	17	534	1.5	148.000	-B820	071-42	
9.4	532	2.8	1.0	410	4.0	532	9.4	532	2.8	17	541	2.8	149.949	-B1500	071-42	
8.6	582	1.0	0.9	448	3.7	582	8.6	582	1.0	15	591	1.0	163.810	-B600	071-42	
8.5	585	2.6	0.9	451	3.6	585	8.5	585	2.6	15	594	2.5	164.833	-B1500	071-42	
8.5	588	1.4	0.9	452	3.6	588	8.5	588	1.4	15	597	1.4	165.467	-B820	071-42	
7.9	633	1.0	0.8	487	3.4	633	7.9	633	1.0	14	643	0.9	178.224	-B600	071-42	
7.8	638	1.3	0.8	491	3.3	638	7.8	638	1.3	14	648	1.3	179.618	-B820	071-42	
7.7	646	2.3	0.8	498	3.3	646	7.7	646	2.3	14	656	2.3	181.983	-B1500	071-42	
7.1	706	0.9	0.7	544	3.0	706	7.1	706	0.9	13	717	0.8	198.805	-B600	071-42	
7.0	710	2.1	0.7	547	3.0	710	7.0	710	2.1	13	721	2.1	200.048	-B1500	071-42	
7.0	713	1.2	0.7	549	3.0	713	7.0	713	1.2	13	724	1.1	200.816	-B820	071-42	

g500-B bevel geared motors

Technical data

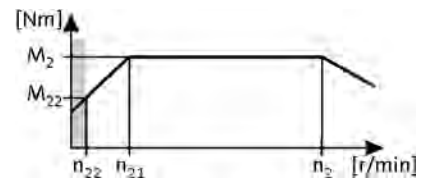


Selection tables, 4-pole motors

50 Hz: $P_N = 0.55$ kW

87 Hz: $P_N = 1.0$ kW

3-stage gearboxes



Mains operation 400 V, 50 Hz			Inverter operation										i	Product		
n_2 [r/min]	M_2 [Nm]	c	5 Hz -		- 20 Hz		- 50 Hz (1:10)			- 87 Hz (1:17.4)				g500	MD□MA□□	
n_2 [r/min]	M_2 [Nm]	c	n_{22} [r/min]	M_{22} [Nm]	n_{21} [r/min]	M_2 [Nm]	n_2 [r/min]	M_2 [Nm]	c	n_2 [r/min]	M_2 [Nm]	c				
6.2	806	1.0	0.6	621	2.6	806	6.2	806	1.0	11	819	1.0	227.045	-B820 071-42		
6.1	817	1.8	0.6	629	2.6	817	6.1	817	1.8	11	830	1.8	230.035	-B1500 071-42		
5.6	898	1.7	0.6	691	2.4	898	5.6	898	1.7	9.9	912	1.6	252.869	-B1500 071-42		
5.5	901	0.9	0.6	694	2.4	901	5.5	901	0.9	9.9	915	0.9	253.841	-B820 071-42		

g500-B bevel geared motors


Technical data



Selection tables, 4-pole motors

50 Hz: $P_N = 0.75$ kW

2-stage gearboxes

Mains operation 400 V, 50 Hz			i	Product		
n_2 [r/min]	M_2 [Nm]	c		g500	m2□□	
405	17	4.8	3.565	-B240	40-P80/M4	
278	24	2.8	5.185	-B110	40-P80/M4	
242	28	2.6	5.963	-B110	40-P80/M4	
231	30	4.2	6.257	-B240	40-P80/M4	
210	32	4.8	6.883	-B240	40-P80/M4	
203	34	2.3	7.111	-B110	40-P80/M4	
185	37	4.8	7.817	-B240	40-P80/M4	
177	39	2.1	8.178	-B110	40-P80/M4	
159	43	2.0	9.101	-B110	40-P80/M4	
138	49	1.8	10.466	-B110	40-P80/M4	
126	54	1.7	11.449	-B110	40-P80/M4	
119	57	3.7	12.081	-B240	40-P80/M4	
114	60	1.5	12.698	-B110	40-P80/M4	
105	65	3.4	13.719	-B240	40-P80/M4	
99	69	1.3	14.603	-B110	40-P80/M4	
96	71	3.2	15.008	-B240	40-P80/M4	
93	73	1.3	15.556	-B110	40-P80/M4	
86	79	3.0	16.857	-B240	40-P80/M4	
81	84	1.1	17.889	-B110	40-P80/M4	
75	90	2.7	19.143	-B240	40-P80/M4	
74	92	1.1	19.556	-B110	40-P80/M4	
70	97	2.5	20.650	-B240	40-P80/M4	
64	106	1.0	22.489	-B110	40-P80/M4	
62	111	2.2	23.450	-B240	40-P80/M4	
57	119	0.9	25.185	-B110	40-P80/M4	
54	127	1.9	26.878	-B240	40-P80/M4	
50	137	0.8	28.963	-B110	40-P80/M4	
47	144	1.7	30.522	-B240	40-P80/M4	
43	158	1.5	33.433	-B240	40-P80/M4	
38	179	1.3	37.967	-B240	40-P80/M4	
33	204	1.2	43.267	-B240	40-P80/M4	
29	232	1.0	49.133	-B240	40-P80/M4	
28	248	0.9	52.510	-B240	40-P80/M4	
24	281	0.9	59.630	-B240	40-P80/M4	

g500-B bevel geared motors

Technical data



Selection tables, 4-pole motors

50 Hz: $P_N = 0.75$ kW

3-stage gearboxes

Mains operation 400 V, 50 Hz			i	Product		
n_2 [r/min]	M_2 [Nm]	c		g500	m2□□	
289	24	4.8	5.002	-B450	40-P80/M4	
155	44	4.8	9.315	-B450	40-P80/M4	
140	49	4.8	10.328	-B450	40-P80/M4	
119	57	4.2	12.143	-B820	40-P80/M4	
88	77	4.2	16.349	-B450	40-P80/M4	
81	84	4.3	17.885	-B450	40-P80/M4	
77	88	4.2	18.655	-B820	40-P80/M4	
73	93	4.3	19.831	-B450	40-P80/M4	
69	98	4.2	20.857	-B820	40-P80/M4	
63	108	4.0	22.813	-B450	40-P80/M4	
57	119	3.8	25.294	-B450	40-P80/M4	
52	132	3.4	27.945	-B450	40-P80/M4	
49	140	3.5	29.744	-B600	40-P80/M4	
49	140	3.5	29.745	-B820	40-P80/M4	
47	146	3.1	30.985	-B450	40-P80/M4	
40	171	2.6	36.373	-B450	40-P80/M4	
39	174	3.0	36.999	-B600	40-P80/M4	
39	174	3.0	37.000	-B820	40-P80/M4	
36	190	2.4	40.330	-B450	40-P80/M4	
34	198	3.0	41.940	-B600	40-P80/M4	
32	213	2.1	45.245	-B450	40-P80/M4	
29	237	1.9	50.167	-B450	40-P80/M4	
26	265	1.7	56.154	-B450	40-P80/M4	
25	272	3.0	57.662	-B820	40-P80/M4	
23	294	1.5	62.262	-B450	40-P80/M4	
23	301	2.0	63.822	-B600	40-P80/M4	
22	304	2.7	64.468	-B820	40-P80/M4	
21	318	1.9	67.513	-B600	40-P80/M4	
21	324	1.4	68.788	-B450	40-P80/M4	
20	340	1.8	72.170	-B600	40-P80/M4	
19	353	3.0	74.963	-B1500	40-P80/M4	
19	360	1.3	76.271	-B450	40-P80/M4	
18	386	1.6	81.937	-B600	40-P80/M4	
17	390	2.6	82.762	-B1500	40-P80/M4	
16	422	1.1	89.534	-B450	40-P80/M4	
16	423	1.4	89.772	-B600	40-P80/M4	
16	429	2.6	90.978	-B1500	40-P80/M4	

g500-B bevel geared motors

Technical data



Selection tables, 4-pole motors

50 Hz: $P_N = 0.75$ kW

3-stage gearboxes

Mains operation 400 V, 50 Hz			i	Product		
n_2 [r/min]	M_2 [Nm]	c		g500	m2□□	
16	433	1.9	91.939	-B820	40-P80/M4	
15	468	1.0	99.274	-B450	40-P80/M4	
14	480	1.3	101.760	-B600	40-P80/M4	
14	485	1.7	102.790	-B820	40-P80/M4	
13	525	0.9	111.372	-B450	40-P80/M4	
13	539	1.5	114.364	-B820	40-P80/M4	
12	548	1.1	116.175	-B600	40-P80/M4	
11	597	1.0	126.580	-B600	40-P80/M4	
11	603	1.4	127.861	-B820	40-P80/M4	
10	665	0.9	140.995	-B600	40-P80/M4	
9.8	698	1.2	148.000	-B820	40-P80/M4	
9.6	707	2.1	149.949	-B1500	40-P80/M4	
8.8	777	1.9	164.833	-B1500	40-P80/M4	
8.7	780	1.1	165.467	-B820	40-P80/M4	
8.0	847	1.0	179.618	-B820	40-P80/M4	
7.9	858	1.8	181.983	-B1500	40-P80/M4	
7.2	943	1.6	200.048	-B1500	40-P80/M4	
7.2	947	0.9	200.816	-B820	40-P80/M4	
6.3	1084	1.4	230.035	-B1500	40-P80/M4	
5.7	1192	1.3	252.869	-B1500	40-P80/M4	

g500-B bevel geared motors

Technical data



Selection tables, 4-pole motors

50 Hz: $P_N = 1.1 \text{ kW}$

2-stage gearboxes

Mains operation 400 V, 50 Hz			i	Product		
n_2 [r/min]	M_2 [Nm]	c		g500	m2□□	
405	25	5.6	3.565	-B240	40-P90/M4	
296	34	4.4	4.889	-B240	40-P90/M4	
279	36	1.9	5.185	-B110	40-P90/M4	
242	41	1.8	5.963	-B110	40-P90/M4	
231	43	3.6	6.257	-B240	40-P90/M4	
210	48	3.8	6.883	-B240	40-P90/M4	
203	49	1.6	7.111	-B110	40-P90/M4	
185	54	3.5	7.817	-B240	40-P90/M4	
177	56	1.4	8.178	-B110	40-P90/M4	
159	63	1.3	9.101	-B110	40-P90/M4	
153	65	2.9	9.440	-B240	40-P90/M4	
138	72	1.2	10.466	-B110	40-P90/M4	
135	74	2.8	10.720	-B240	40-P90/M4	
126	79	1.1	11.449	-B110	40-P90/M4	
120	83	2.5	12.081	-B240	40-P90/M4	
114	88	1.0	12.698	-B110	40-P90/M4	
105	95	2.3	13.719	-B240	40-P90/M4	
99	101	0.9	14.603	-B110	40-P90/M4	
96	104	2.2	15.008	-B240	40-P90/M4	
93	107	0.9	15.556	-B110	40-P90/M4	
86	116	2.1	16.857	-B240	40-P90/M4	
76	132	1.8	19.143	-B240	40-P90/M4	
70	143	1.7	20.650	-B240	40-P90/M4	
62	162	1.5	23.450	-B240	40-P90/M4	
54	186	1.3	26.878	-B240	40-P90/M4	
47	211	1.1	30.522	-B240	40-P90/M4	
43	231	1.0	33.433	-B240	40-P90/M4	
38	262	0.9	37.967	-B240	40-P90/M4	

3-stage gearboxes

Mains operation 400 V, 50 Hz			i	Product		
n_2 [r/min]	M_2 [Nm]	c		g500	m2□□	
289	35	5.9	5.002	-B450	40-P90/M4	
211	47	5.9	6.860	-B450	40-P90/M4	
155	64	5.7	9.315	-B450	40-P90/M4	
152	66	5.9	9.520	-B820	40-P90/M4	
140	71	5.4	10.328	-B450	40-P90/M4	
119	84	5.5	12.143	-B820	40-P90/M4	
113	88	4.6	12.775	-B450	40-P90/M4	
108	92	5.8	13.369	-B600	40-P90/M4	
108	92	5.8	13.370	-B820	40-P90/M4	

g500-B bevel geared motors

Technical data



Selection tables, 4-pole motors

50 Hz: $P_N = 1.1 \text{ kW}$

3-stage gearboxes

Mains operation 400 V, 50 Hz			i	Product		
n_2 [r/min]	M_2 [Nm]	c		g500	m2□□	
102	98	4.3	14.165	-B450	40-P90/M4	
99	101	5.9	14.626	-B820	40-P90/M4	
88	113	3.8	16.349	-B450	40-P90/M4	
88	113	5.9	16.352	-B820	40-P90/M4	
81	123	3.6	17.885	-B450	40-P90/M4	
78	129	5.5	18.655	-B820	40-P90/M4	
77	130	4.6	18.851	-B600	40-P90/M4	
73	137	3.3	19.831	-B450	40-P90/M4	
70	142	4.2	20.622	-B600	40-P90/M4	
69	144	5.5	20.857	-B820	40-P90/M4	
63	158	2.9	22.813	-B450	40-P90/M4	
63	158	3.8	22.852	-B600	40-P90/M4	
63	158	4.8	22.853	-B820	40-P90/M4	
57	175	2.6	25.294	-B450	40-P90/M4	
57	176	4.7	25.550	-B820	40-P90/M4	
52	193	2.3	27.945	-B450	40-P90/M4	
50	202	5.8	29.206	-B1500	40-P90/M4	
49	205	2.9	29.744	-B600	40-P90/M4	
49	205	4.0	29.745	-B820	40-P90/M4	
47	214	2.1	30.985	-B450	40-P90/M4	
45	224	2.7	32.439	-B600	40-P90/M4	
40	251	1.8	36.373	-B450	40-P90/M4	
39	255	2.4	36.999	-B600	40-P90/M4	
39	255	3.2	37.000	-B820	40-P90/M4	
36	278	1.6	40.330	-B450	40-P90/M4	
35	285	2.9	41.325	-B820	40-P90/M4	
35	290	2.1	41.940	-B600	40-P90/M4	
32	312	2.6	45.207	-B820	40-P90/M4	
32	312	1.4	45.245	-B450	40-P90/M4	
32	316	1.9	45.739	-B600	40-P90/M4	
31	322	4.7	46.568	-B1500	40-P90/M4	
29	345	1.7	50.036	-B600	40-P90/M4	
29	346	1.3	50.167	-B450	40-P90/M4	
29	349	2.4	50.543	-B820	40-P90/M4	
28	359	4.0	51.920	-B1500	40-P90/M4	
26	383	1.6	55.447	-B600	40-P90/M4	
26	388	1.2	56.154	-B450	40-P90/M4	

g500-B bevel geared motors

Technical data



Selection tables, 4-pole motors

50 Hz: $P_N = 1.1 \text{ kW}$

3-stage gearboxes

Mains operation 400 V, 50 Hz			i	Product		
n_2 [r/min]	M_2 [Nm]	c		g500	m2□□	
25	394	3.8	57.074	-B1500	40-P90/M4	
25	398	2.1	57.662	-B820	40-P90/M4	
25	403	3.7	58.422	-B1500	40-P90/M4	
23	430	1.1	62.262	-B450	40-P90/M4	
23	441	1.4	63.822	-B600	40-P90/M4	
23	443	3.4	64.221	-B1500	40-P90/M4	
22	445	1.8	64.468	-B820	40-P90/M4	
21	466	1.3	67.513	-B600	40-P90/M4	
21	475	1.0	68.788	-B450	40-P90/M4	
21	488	1.7	70.636	-B820	40-P90/M4	
20	498	1.2	72.170	-B600	40-P90/M4	
19	518	2.9	74.963	-B1500	40-P90/M4	
19	527	0.9	76.271	-B450	40-P90/M4	
19	531	4.0	76.862	-B2700	40-P90/M4	
19	540	1.1	78.182	-B600	40-P90/M4	
18	545	1.5	78.973	-B820	40-P90/M4	
18	566	1.1	81.937	-B600	40-P90/M4	
18	571	2.6	82.762	-B1500	40-P90/M4	
17	587	3.5	84.940	-B2700	40-P90/M4	
16	620	1.0	89.772	-B600	40-P90/M4	
16	628	2.4	90.978	-B1500	40-P90/M4	
16	635	1.3	91.939	-B820	40-P90/M4	
16	643	2.3	93.150	-B1500	40-P90/M4	
16	644	3.5	93.283	-B2700	40-P90/M4	
14	703	0.9	101.760	-B600	40-P90/M4	
14	707	2.1	102.396	-B1500	40-P90/M4	
14	710	1.2	102.790	-B820	40-P90/M4	
13	788	1.9	114.166	-B1500	40-P90/M4	
13	790	1.0	114.364	-B820	40-P90/M4	
12	867	1.7	125.498	-B1500	40-P90/M4	
11	883	0.9	127.861	-B820	40-P90/M4	
9.6	1035	1.5	149.949	-B1500	40-P90/M4	
9.4	1057	4.0	153.141	-B4300	40-P90/M4	
9.4	1058	2.6	153.185	-B2700	40-P90/M4	
8.8	1138	1.3	164.833	-B1500	40-P90/M4	
8.6	1156	3.7	167.383	-B4300	40-P90/M4	
8.6	1162	2.3	168.230	-B2700	40-P90/M4	

g500-B bevel geared motors

Technical data



Selection tables, 4-pole motors

50 Hz: $P_N = 1.1 \text{ kW}$

3-stage gearboxes

Mains operation 400 V, 50 Hz			i	Product		
n_2 [r/min]	M_2 [Nm]	c		g500	m2□□	
7.9	1257	1.2	181.983	-B1500	40-P90/M4	
7.8	1283	3.4	185.857	-B4300	40-P90/M4	
7.8	1284	2.1	185.911	-B2700	40-P90/M4	
7.2	1381	1.1	200.048	-B1500	40-P90/M4	
7.1	1403	3.1	203.143	-B4300	40-P90/M4	
7.1	1410	1.9	204.170	-B2700	40-P90/M4	
6.3	1588	0.9	230.035	-B1500	40-P90/M4	
6.2	1622	2.7	234.932	-B4300	40-P90/M4	
6.1	1623	1.7	235.000	-B2700	40-P90/M4	
5.7	1746	0.9	252.869	-B1500	40-P90/M4	
5.6	1773	2.4	256.781	-B4300	40-P90/M4	
5.6	1782	1.5	258.080	-B2700	40-P90/M4	

g500-B bevel geared motors

Technical data



Selection tables, 4-pole motors

50 Hz: $P_N = 1.5 \text{ kW}$

2-stage gearboxes

Mains operation 400 V, 50 Hz			i	Product		
n_2 [r/min]	M_2 [Nm]	c		g500	m2□□	
403	34	4.1	3.565	-B240	40-P90/L4	
294	46	3.2	4.889	-B240	40-P90/L4	
277	49	1.4	5.185	-B110	40-P90/L4	
241	57	1.3	5.963	-B110	40-P90/L4	
229	59	2.6	6.257	-B240	40-P90/L4	
209	65	2.7	6.883	-B240	40-P90/L4	
202	67	1.1	7.111	-B110	40-P90/L4	
184	74	2.5	7.817	-B240	40-P90/L4	
176	78	1.0	8.178	-B110	40-P90/L4	
158	86	1.0	9.101	-B110	40-P90/L4	
152	90	2.1	9.440	-B240	40-P90/L4	
137	99	0.9	10.466	-B110	40-P90/L4	
134	102	2.0	10.720	-B240	40-P90/L4	
125	109	0.8	11.449	-B110	40-P90/L4	
119	115	1.8	12.081	-B240	40-P90/L4	
105	130	1.7	13.719	-B240	40-P90/L4	
96	142	1.6	15.008	-B240	40-P90/L4	
85	160	1.5	16.857	-B240	40-P90/L4	
75	182	1.3	19.143	-B240	40-P90/L4	
70	196	1.2	20.650	-B240	40-P90/L4	
61	222	1.1	23.450	-B240	40-P90/L4	
53	255	0.9	26.878	-B240	40-P90/L4	
47	289	0.8	30.522	-B240	40-P90/L4	

3-stage gearboxes

Mains operation 400 V, 50 Hz			i	Product		
n_2 [r/min]	M_2 [Nm]	c		g500	m2□□	
287	47	4.3	5.002	-B450	40-P90/L4	
209	65	4.3	6.860	-B450	40-P90/L4	
154	88	4.2	9.315	-B450	40-P90/L4	
151	90	4.3	9.520	-B820	40-P90/L4	
139	98	3.9	10.328	-B450	40-P90/L4	
118	115	4.0	12.143	-B820	40-P90/L4	
112	121	3.3	12.775	-B450	40-P90/L4	
107	127	4.2	13.369	-B600	40-P90/L4	
107	127	4.2	13.370	-B820	40-P90/L4	
101	134	3.1	14.165	-B450	40-P90/L4	
98	139	4.3	14.626	-B820	40-P90/L4	
88	155	2.8	16.349	-B450	40-P90/L4	
88	155	4.3	16.352	-B820	40-P90/L4	
80	170	2.6	17.885	-B450	40-P90/L4	

g500-B bevel geared motors

Technical data



Selection tables, 4-pole motors

50 Hz: $P_N = 1.5 \text{ kW}$

3-stage gearboxes

Mains operation 400 V, 50 Hz			i	Product		
n_2 [r/min]	M_2 [Nm]	c		g500	m2□□	
77	177	4.0	18.655	-B820	40-P90/L4	
76	179	3.4	18.851	-B600	40-P90/L4	
72	188	2.4	19.831	-B450	40-P90/L4	
70	196	3.1	20.622	-B600	40-P90/L4	
69	198	4.0	20.857	-B820	40-P90/L4	
63	216	2.1	22.813	-B450	40-P90/L4	
63	217	2.8	22.852	-B600	40-P90/L4	
63	217	3.5	22.853	-B820	40-P90/L4	
57	240	1.9	25.294	-B450	40-P90/L4	
56	242	3.4	25.550	-B820	40-P90/L4	
51	265	1.7	27.945	-B450	40-P90/L4	
49	277	4.2	29.206	-B1500	40-P90/L4	
48	282	2.1	29.744	-B600	40-P90/L4	
48	282	2.9	29.745	-B820	40-P90/L4	
46	294	1.5	30.985	-B450	40-P90/L4	
44	308	2.0	32.439	-B600	40-P90/L4	
40	345	1.3	36.373	-B450	40-P90/L4	
39	351	1.7	36.999	-B600	40-P90/L4	
39	351	2.3	37.000	-B820	40-P90/L4	
36	382	1.2	40.330	-B450	40-P90/L4	
35	392	2.1	41.325	-B820	40-P90/L4	
34	398	1.5	41.940	-B600	40-P90/L4	
32	429	1.9	45.207	-B820	40-P90/L4	
32	429	1.1	45.245	-B450	40-P90/L4	
31	434	1.4	45.739	-B600	40-P90/L4	
31	442	3.4	46.568	-B1500	40-P90/L4	
29	474	1.3	50.036	-B600	40-P90/L4	
29	476	1.0	50.167	-B450	40-P90/L4	
28	479	1.7	50.543	-B820	40-P90/L4	
28	492	2.9	51.920	-B1500	40-P90/L4	
26	526	1.1	55.447	-B600	40-P90/L4	
26	532	0.9	56.154	-B450	40-P90/L4	
25	541	2.8	57.074	-B1500	40-P90/L4	
25	547	1.5	57.662	-B820	40-P90/L4	
25	554	2.7	58.422	-B1500	40-P90/L4	
23	605	1.0	63.822	-B600	40-P90/L4	
22	609	2.5	64.221	-B1500	40-P90/L4	

g500-B bevel geared motors

Technical data



Selection tables, 4-pole motors

50 Hz: $P_N = 1.5 \text{ kW}$

3-stage gearboxes

Mains operation 400 V, 50 Hz			i	Product		
n_2 [r/min]	M_2 [Nm]	c		g500	m2□□	
22	611	1.3	64.468	-B820	40-P90/L4	
21	640	0.9	67.513	-B600	40-P90/L4	
20	670	1.2	70.636	-B820	40-P90/L4	
20	684	0.9	72.170	-B600	40-P90/L4	
19	711	2.1	74.963	-B1500	40-P90/L4	
19	729	2.9	76.862	-B2700	40-P90/L4	
18	741	0.8	78.182	-B600	40-P90/L4	
18	749	1.1	78.973	-B820	40-P90/L4	
17	785	1.9	82.762	-B1500	40-P90/L4	
17	805	2.6	84.940	-B2700	40-P90/L4	
16	863	1.7	90.978	-B1500	40-P90/L4	
16	872	0.9	91.939	-B820	40-P90/L4	
15	883	1.7	93.150	-B1500	40-P90/L4	
15	884	2.6	93.283	-B2700	40-P90/L4	
14	971	1.6	102.396	-B1500	40-P90/L4	
14	975	0.8	102.790	-B820	40-P90/L4	
13	1082	1.4	114.166	-B1500	40-P90/L4	
11	1190	1.3	125.498	-B1500	40-P90/L4	
9.6	1422	1.1	149.949	-B1500	40-P90/L4	
9.4	1452	2.9	153.141	-B4300	40-P90/L4	
9.4	1452	1.9	153.185	-B2700	40-P90/L4	
8.7	1563	1.0	164.833	-B1500	40-P90/L4	
8.6	1587	2.7	167.383	-B4300	40-P90/L4	
8.5	1595	1.7	168.230	-B2700	40-P90/L4	
7.9	1725	0.9	181.983	-B1500	40-P90/L4	
7.7	1762	2.4	185.857	-B4300	40-P90/L4	
7.7	1763	1.5	185.911	-B2700	40-P90/L4	
7.1	1926	2.2	203.143	-B4300	40-P90/L4	
7.0	1936	1.4	204.170	-B2700	40-P90/L4	
6.1	2227	1.9	234.932	-B4300	40-P90/L4	
6.1	2228	1.2	235.000	-B2700	40-P90/L4	
5.6	2435	1.8	256.781	-B4300	40-P90/L4	
5.6	2447	1.1	258.080	-B2700	40-P90/L4	

g500-B bevel geared motors

Technical data



Selection tables, 4-pole motors

50 Hz: $P_N = 2.2 \text{ kW}$

2-stage gearboxes

Mains operation 400 V, 50 Hz			i	Product		
n_2 [r/min]	M_2 [Nm]	c		g500	m2□□	
406	49	2.8	3.565	-B240	40-P100/M4	
296	67	2.2	4.889	-B240	40-P100/M4	
231	86	1.8	6.257	-B240	40-P100/M4	
210	95	1.9	6.883	-B240	40-P100/M4	
185	108	1.7	7.817	-B240	40-P100/M4	
153	130	1.5	9.440	-B240	40-P100/M4	
135	148	1.4	10.720	-B240	40-P100/M4	
120	167	1.3	12.081	-B240	40-P100/M4	
105	189	1.2	13.719	-B240	40-P100/M4	
96	207	1.1	15.008	-B240	40-P100/M4	
86	233	1.0	16.857	-B240	40-P100/M4	
76	264	0.9	19.143	-B240	40-P100/M4	
70	285	0.8	20.650	-B240	40-P100/M4	

3-stage gearboxes

Mains operation 400 V, 50 Hz			i	Product		
n_2 [r/min]	M_2 [Nm]	c		g500	m2□□	
292	68	4.6	4.958	-B820	40-P100/M4	
289	69	4.1	5.002	-B450	40-P100/M4	
285	70	5.4	5.067	-B600	40-P100/M4	
213	94	4.2	6.800	-B820	40-P100/M4	
211	95	3.3	6.860	-B450	40-P100/M4	
208	96	4.2	6.949	-B600	40-P100/M4	
190	105	4.4	7.617	-B600	40-P100/M4	
190	105	4.0	7.618	-B820	40-P100/M4	
170	118	3.9	8.517	-B820	40-P100/M4	
155	129	2.9	9.315	-B450	40-P100/M4	
152	131	3.8	9.520	-B820	40-P100/M4	
140	143	2.7	10.328	-B450	40-P100/M4	
138	144	3.7	10.447	-B820	40-P100/M4	
135	148	3.7	10.741	-B600	40-P100/M4	
124	161	3.5	11.680	-B820	40-P100/M4	
119	168	3.3	12.143	-B820	40-P100/M4	
113	176	2.3	12.775	-B450	40-P100/M4	
110	181	5.6	13.118	-B1500	40-P100/M4	
108	185	3.0	13.369	-B600	40-P100/M4	
108	185	3.4	13.370	-B820	40-P100/M4	
102	195	2.2	14.165	-B450	40-P100/M4	
99	202	3.2	14.626	-B820	40-P100/M4	
98	203	3.0	14.730	-B600	40-P100/M4	
88	226	1.9	16.349	-B450	40-P100/M4	

g500-B bevel geared motors



Technical data

Selection tables, 4-pole motors

50 Hz: $P_N = 2.2 \text{ kW}$

3-stage gearboxes

Mains operation 400 V, 50 Hz			i	Product		
n_2 [r/min]	M_2 [Nm]	c		g500	m2□□	
88	226	3.1	16.352	-B820	40-P100/M4	
81	247	1.8	17.885	-B450	40-P100/M4	
78	257	5.7	18.598	-B1500	40-P100/M4	
78	257	2.9	18.655	-B820	40-P100/M4	
77	260	2.3	18.851	-B600	40-P100/M4	
73	274	1.6	19.831	-B450	40-P100/M4	
71	282	5.3	20.444	-B1500	40-P100/M4	
70	285	2.1	20.622	-B600	40-P100/M4	
69	288	2.9	20.857	-B820	40-P100/M4	
63	315	1.4	22.813	-B450	40-P100/M4	
63	315	1.9	22.852	-B600	40-P100/M4	
63	315	2.6	22.853	-B820	40-P100/M4	
63	316	4.8	22.898	-B1500	40-P100/M4	
62	320	5.7	23.206	-B4300	40-P100/M4	
57	349	1.3	25.294	-B450	40-P100/M4	
57	350	1.7	25.347	-B600	40-P100/M4	
57	350	5.7	25.365	-B4300	40-P100/M4	
57	353	2.3	25.550	-B820	40-P100/M4	
56	360	1.7	26.061	-B600	40-P100/M4	
55	363	2.3	26.324	-B820	40-P100/M4	
54	370	5.7	26.814	-B2700	40-P100/M4	
52	386	1.2	27.945	-B450	40-P100/M4	
50	403	3.7	29.206	-B1500	40-P100/M4	
49	406	5.7	29.447	-B2700	40-P100/M4	
49	410	1.5	29.744	-B600	40-P100/M4	
49	410	2.0	29.745	-B820	40-P100/M4	
47	428	1.1	30.985	-B450	40-P100/M4	
45	446	1.8	32.291	-B820	40-P100/M4	
45	448	1.3	32.439	-B600	40-P100/M4	
44	449	3.3	32.547	-B1500	40-P100/M4	
41	493	1.2	35.740	-B600	40-P100/M4	
40	494	3.0	35.778	-B1500	40-P100/M4	
40	498	1.7	36.102	-B820	40-P100/M4	
39	511	1.2	36.999	-B600	40-P100/M4	
39	511	1.6	37.000	-B820	40-P100/M4	
38	532	4.1	38.546	-B4300	40-P100/M4	
35	564	2.7	40.895	-B1500	40-P100/M4	

g500-B bevel geared motors

Technical data



Selection tables, 4-pole motors

50 Hz: $P_N = 2.2 \text{ kW}$

3-stage gearboxes

Mains operation 400 V, 50 Hz			i	Product		
n_2 [r/min]	M_2 [Nm]	c		g500	m2□□	
35	570	1.4	41.325	-B820	40-P100/M4	
35	579	1.0	41.940	-B600	40-P100/M4	
32	620	2.4	44.955	-B1500	40-P100/M4	
32	624	1.3	45.207	-B820	40-P100/M4	
32	631	1.0	45.739	-B600	40-P100/M4	
31	643	2.3	46.568	-B1500	40-P100/M4	
30	675	4.0	48.912	-B2700	40-P100/M4	
29	691	0.9	50.036	-B600	40-P100/M4	
29	697	1.2	50.543	-B820	40-P100/M4	
28	717	2.1	51.920	-B1500	40-P100/M4	
27	746	3.5	54.082	-B2700	40-P100/M4	
25	788	1.9	57.074	-B1500	40-P100/M4	
25	796	1.0	57.662	-B820	40-P100/M4	
25	806	1.9	58.422	-B1500	40-P100/M4	
25	810	5.3	58.671	-B4300	40-P100/M4	
24	820	3.3	59.393	-B2700	40-P100/M4	
23	885	4.9	64.127	-B4300	40-P100/M4	
23	886	1.7	64.221	-B1500	40-P100/M4	
22	889	3.0	64.452	-B2700	40-P100/M4	
22	890	0.9	64.468	-B820	40-P100/M4	
21	975	0.8	70.636	-B820	40-P100/M4	
20	988	1.5	71.566	-B1500	40-P100/M4	
19	1035	1.5	74.963	-B1500	40-P100/M4	
19	1061	2.6	76.862	-B2700	40-P100/M4	
18	1142	1.3	82.762	-B1500	40-P100/M4	
17	1172	2.3	84.940	-B2700	40-P100/M4	
16	1256	1.2	90.978	-B1500	40-P100/M4	
16	1285	1.2	93.150	-B1500	40-P100/M4	
16	1287	2.1	93.283	-B2700	40-P100/M4	
15	1345	3.2	97.453	-B4300	40-P100/M4	
15	1345	2.0	97.481	-B2700	40-P100/M4	
14	1413	1.1	102.396	-B1500	40-P100/M4	
14	1470	2.9	106.517	-B4300	40-P100/M4	
14	1477	1.8	107.056	-B2700	40-P100/M4	
13	1576	1.0	114.166	-B1500	40-P100/M4	
12	1633	2.6	118.336	-B4300	40-P100/M4	
12	1634	1.7	118.370	-B2700	40-P100/M4	

g500-B bevel geared motors

Technical data



Selection tables, 4-pole motors

50 Hz: $P_N = 2.2 \text{ kW}$

3-stage gearboxes

Mains operation 400 V, 50 Hz			i	Product		
n_2 [r/min]	M_2 [Nm]	c		g500	m2□□	
12	1732	0.9	125.498	-B1500	40-P100/M4	
11	1785	2.4	129.342	-B4300	40-P100/M4	
11	1794	1.5	129.996	-B2700	40-P100/M4	
9.4	2113	2.0	153.141	-B4300	40-P100/M4	
9.4	2114	1.3	153.185	-B2700	40-P100/M4	
8.6	2310	1.9	167.383	-B4300	40-P100/M4	
8.6	2322	1.2	168.230	-B2700	40-P100/M4	
7.8	2565	1.7	185.857	-B4300	40-P100/M4	
7.8	2566	1.1	185.911	-B2700	40-P100/M4	
7.1	2803	1.5	203.143	-B4300	40-P100/M4	
7.1	2818	1.0	204.170	-B2700	40-P100/M4	
6.2	3242	1.3	234.932	-B4300	40-P100/M4	
6.2	3243	0.8	235.000	-B2700	40-P100/M4	
5.6	3544	1.2	256.781	-B4300	40-P100/M4	

g500-B bevel geared motors

Technical data



Selection tables, 4-pole motors

50 Hz: $P_N = 3.0 \text{ kW}$

2-stage gearboxes

Mains operation 400 V, 50 Hz			i	Product		
n_2 [r/min]	M_2 [Nm]	c		g500	m2□□	
408	67	2.1	3.565	-B240	40-P100/L4	
297	92	1.6	4.889	-B240	40-P100/L4	
232	117	1.3	6.257	-B240	40-P100/L4	
211	129	1.4	6.883	-B240	40-P100/L4	
186	146	1.3	7.817	-B240	40-P100/L4	
154	177	1.1	9.440	-B240	40-P100/L4	
136	201	1.0	10.720	-B240	40-P100/L4	
120	226	0.9	12.081	-B240	40-P100/L4	
106	257	0.8	13.719	-B240	40-P100/L4	

3-stage gearboxes

Mains operation 400 V, 50 Hz			i	Product		
n_2 [r/min]	M_2 [Nm]	c		g500	m2□□	
293	93	3.4	4.958	-B820	40-P100/L4	
291	94	3.0	5.002	-B450	40-P100/L4	
287	95	4.0	5.067	-B600	40-P100/L4	
214	127	3.1	6.800	-B820	40-P100/L4	
212	128	2.4	6.860	-B450	40-P100/L4	
209	130	3.1	6.949	-B600	40-P100/L4	
191	143	3.2	7.617	-B600	40-P100/L4	
191	143	3.0	7.618	-B820	40-P100/L4	
171	159	2.9	8.517	-B820	40-P100/L4	
156	174	2.1	9.315	-B450	40-P100/L4	
153	178	2.8	9.520	-B820	40-P100/L4	
141	193	2.0	10.328	-B450	40-P100/L4	
139	196	2.7	10.447	-B820	40-P100/L4	
135	201	2.7	10.741	-B600	40-P100/L4	
124	219	2.6	11.680	-B820	40-P100/L4	
120	227	2.4	12.143	-B820	40-P100/L4	
114	239	1.7	12.775	-B450	40-P100/L4	
111	246	4.1	13.118	-B1500	40-P100/L4	
109	250	2.2	13.369	-B600	40-P100/L4	
109	250	2.5	13.370	-B820	40-P100/L4	
103	265	1.6	14.165	-B450	40-P100/L4	
99	274	2.4	14.626	-B820	40-P100/L4	
99	276	2.2	14.730	-B600	40-P100/L4	
89	306	1.4	16.349	-B450	40-P100/L4	
89	306	2.3	16.352	-B820	40-P100/L4	
81	335	1.3	17.885	-B450	40-P100/L4	
78	348	4.2	18.598	-B1500	40-P100/L4	
78	349	2.1	18.655	-B820	40-P100/L4	

g500-B bevel geared motors

Technical data



Selection tables, 4-pole motors

50 Hz: $P_N = 3.0 \text{ kW}$

3-stage gearboxes

Mains operation 400 V, 50 Hz			i	Product		
n_2 [r/min]	M_2 [Nm]	c		g500	m2□□	
77	353	1.7	18.851	-B600	40-P100/L4	
73	371	1.2	19.831	-B450	40-P100/L4	
71	383	3.9	20.444	-B1500	40-P100/L4	
71	386	1.6	20.622	-B600	40-P100/L4	
70	391	2.1	20.857	-B820	40-P100/L4	
64	427	1.1	22.813	-B450	40-P100/L4	
64	428	1.4	22.852	-B600	40-P100/L4	
64	428	1.9	22.853	-B820	40-P100/L4	
64	429	3.5	22.898	-B1500	40-P100/L4	
63	435	4.2	23.206	-B4300	40-P100/L4	
57	474	1.0	25.294	-B450	40-P100/L4	
57	475	1.3	25.347	-B600	40-P100/L4	
57	475	4.2	25.365	-B4300	40-P100/L4	
57	478	1.7	25.550	-B820	40-P100/L4	
56	488	1.2	26.061	-B600	40-P100/L4	
55	493	1.7	26.324	-B820	40-P100/L4	
54	502	4.2	26.814	-B2700	40-P100/L4	
52	523	0.9	27.945	-B450	40-P100/L4	
50	547	2.7	29.206	-B1500	40-P100/L4	
49	551	4.2	29.447	-B2700	40-P100/L4	
49	557	1.1	29.744	-B600	40-P100/L4	
49	557	1.5	29.745	-B820	40-P100/L4	
45	605	1.4	32.291	-B820	40-P100/L4	
45	608	1.0	32.439	-B600	40-P100/L4	
45	610	2.5	32.547	-B1500	40-P100/L4	
41	669	0.9	35.740	-B600	40-P100/L4	
41	670	2.2	35.778	-B1500	40-P100/L4	
40	676	1.2	36.102	-B820	40-P100/L4	
39	693	0.9	36.999	-B600	40-P100/L4	
39	693	1.2	37.000	-B820	40-P100/L4	
38	722	3.0	38.546	-B4300	40-P100/L4	
36	766	2.0	40.895	-B1500	40-P100/L4	
35	774	1.1	41.325	-B820	40-P100/L4	
32	842	1.8	44.955	-B1500	40-P100/L4	
32	847	1.0	45.207	-B820	40-P100/L4	
31	872	1.7	46.568	-B1500	40-P100/L4	
30	916	3.0	48.912	-B2700	40-P100/L4	

g500-B bevel geared motors

Technical data



Selection tables, 4-pole motors

50 Hz: $P_N = 3.0 \text{ kW}$

3-stage gearboxes

Mains operation 400 V, 50 Hz			i	Product		
n_2 [r/min]	M_2 [Nm]	c		g500	m2□□	
29	947	0.9	50.543	-B820	40-P100/L4	
28	972	1.5	51.920	-B1500	40-P100/L4	
27	1013	2.6	54.082	-B2700	40-P100/L4	
26	1069	1.4	57.074	-B1500	40-P100/L4	
25	1094	1.4	58.422	-B1500	40-P100/L4	
25	1099	3.9	58.671	-B4300	40-P100/L4	
25	1112	2.4	59.393	-B2700	40-P100/L4	
23	1201	3.6	64.127	-B4300	40-P100/L4	
23	1203	1.3	64.221	-B1500	40-P100/L4	
23	1207	2.2	64.452	-B2700	40-P100/L4	
20	1340	1.1	71.566	-B1500	40-P100/L4	
19	1404	1.1	74.963	-B1500	40-P100/L4	
19	1439	1.9	76.862	-B2700	40-P100/L4	
18	1550	1.0	82.762	-B1500	40-P100/L4	
17	1591	1.7	84.940	-B2700	40-P100/L4	
16	1704	0.9	90.978	-B1500	40-P100/L4	
16	1744	0.9	93.150	-B1500	40-P100/L4	
16	1747	1.6	93.283	-B2700	40-P100/L4	
15	1825	2.4	97.453	-B4300	40-P100/L4	
15	1826	1.5	97.481	-B2700	40-P100/L4	
14	1995	2.2	106.517	-B4300	40-P100/L4	
14	2005	1.4	107.056	-B2700	40-P100/L4	
12	2216	1.9	118.336	-B4300	40-P100/L4	
12	2217	1.2	118.370	-B2700	40-P100/L4	
11	2422	1.8	129.342	-B4300	40-P100/L4	
11	2435	1.1	129.996	-B2700	40-P100/L4	
9.5	2868	1.5	153.141	-B4300	40-P100/L4	
9.5	2869	0.9	153.185	-B2700	40-P100/L4	
8.7	3135	1.4	167.383	-B4300	40-P100/L4	
8.6	3151	0.9	168.230	-B2700	40-P100/L4	
7.8	3481	1.2	185.857	-B4300	40-P100/L4	
7.2	3804	1.1	203.143	-B4300	40-P100/L4	
6.2	4400	1.0	234.932	-B4300	40-P100/L4	
5.7	4809	0.9	256.781	-B4300	40-P100/L4	

g500-B bevel geared motors

Technical data



Selection tables, 4-pole motors

50 Hz: $P_N = 4.0 \text{ kW}$

3-stage gearboxes

Mains operation 400 V, 50 Hz			i	Product		
n_2 [r/min]	M_2 [Nm]	c		g500	m2□□	
289	125	2.5	4.958	-B820	40-P112/M4	
287	126	2.2	5.002	-B450	40-P112/M4	
283	128	2.9	5.067	-B600	40-P112/M4	
211	172	2.3	6.800	-B820	40-P112/M4	
209	173	1.8	6.860	-B450	40-P112/M4	
209	174	4.2	6.866	-B1500	40-P112/M4	
207	176	2.3	6.949	-B600	40-P112/M4	
188	193	2.4	7.617	-B600	40-P112/M4	
188	193	2.2	7.618	-B820	40-P112/M4	
169	215	2.1	8.517	-B820	40-P112/M4	
157	232	4.7	9.156	-B4300	40-P112/M4	
154	236	1.6	9.315	-B450	40-P112/M4	
151	241	4.2	9.516	-B1500	40-P112/M4	
151	241	2.1	9.520	-B820	40-P112/M4	
139	261	1.5	10.328	-B450	40-P112/M4	
137	264	2.0	10.447	-B820	40-P112/M4	
134	272	2.0	10.741	-B600	40-P112/M4	
132	276	4.2	10.902	-B1500	40-P112/M4	
123	295	1.9	11.680	-B820	40-P112/M4	
120	303	4.2	11.985	-B1500	40-P112/M4	
118	307	1.8	12.143	-B820	40-P112/M4	
112	323	1.3	12.775	-B450	40-P112/M4	
109	332	3.4	13.118	-B1500	40-P112/M4	
107	338	1.6	13.369	-B600	40-P112/M4	
107	338	1.8	13.370	-B820	40-P112/M4	
101	358	1.2	14.165	-B450	40-P112/M4	
98	370	1.8	14.626	-B820	40-P112/M4	
97	372	1.6	14.730	-B600	40-P112/M4	
95	382	3.9	15.111	-B1500	40-P112/M4	
88	413	1.1	16.349	-B450	40-P112/M4	
88	413	1.7	16.352	-B820	40-P112/M4	
86	420	3.6	16.611	-B1500	40-P112/M4	
85	428	4.7	16.913	-B4300	40-P112/M4	
80	452	1.0	17.885	-B450	40-P112/M4	
78	467	4.7	18.486	-B4300	40-P112/M4	
77	470	3.2	18.598	-B1500	40-P112/M4	
77	472	1.6	18.655	-B820	40-P112/M4	

g500-B bevel geared motors

Technical data



Selection tables, 4-pole motors

50 Hz: $P_N = 4.0 \text{ kW}$

3-stage gearboxes

Mains operation 400 V, 50 Hz			i	Product		
n_2 [r/min]	M_2 [Nm]	c		g500	m2□□	
76	477	1.3	18.851	-B600	40-P112/M4	
73	494	4.7	19.542	-B2700	40-P112/M4	
72	501	0.9	19.831	-B450	40-P112/M4	
70	517	2.9	20.444	-B1500	40-P112/M4	
70	521	1.2	20.622	-B600	40-P112/M4	
69	527	1.6	20.857	-B820	40-P112/M4	
68	533	4.3	21.065	-B4300	40-P112/M4	
64	563	4.3	22.269	-B2700	40-P112/M4	
63	578	1.0	22.852	-B600	40-P112/M4	
63	578	1.4	22.853	-B820	40-P112/M4	
63	579	2.6	22.898	-B1500	40-P112/M4	
62	587	3.8	23.206	-B4300	40-P112/M4	
60	606	2.5	23.973	-B1500	40-P112/M4	
59	618	4.3	24.456	-B2700	40-P112/M4	
57	641	0.9	25.347	-B600	40-P112/M4	
57	641	3.8	25.365	-B4300	40-P112/M4	
56	646	1.3	25.550	-B820	40-P112/M4	
55	666	1.2	26.324	-B820	40-P112/M4	
55	666	2.3	26.353	-B1500	40-P112/M4	
54	678	3.8	26.814	-B2700	40-P112/M4	
49	738	2.0	29.206	-B1500	40-P112/M4	
49	745	3.6	29.447	-B2700	40-P112/M4	
48	752	1.1	29.745	-B820	40-P112/M4	
46	786	3.2	31.097	-B4300	40-P112/M4	
44	816	1.0	32.291	-B820	40-P112/M4	
44	823	1.8	32.547	-B1500	40-P112/M4	
44	831	3.2	32.873	-B2700	40-P112/M4	
40	905	1.7	35.778	-B1500	40-P112/M4	
40	913	3.0	36.102	-B2700	40-P112/M4	
40	913	0.9	36.102	-B820	40-P112/M4	
39	924	1.6	36.526	-B1500	40-P112/M4	
37	975	2.5	38.546	-B4300	40-P112/M4	
35	1034	1.5	40.895	-B1500	40-P112/M4	
34	1081	4.0	42.760	-B4300	40-P112/M4	
34	1081	2.5	42.772	-B2700	40-P112/M4	
32	1137	1.3	44.955	-B1500	40-P112/M4	
31	1177	1.3	46.568	-B1500	40-P112/M4	

g500-B bevel geared motors

Technical data



Selection tables, 4-pole motors

50 Hz: $P_N = 4.0 \text{ kW}$

3-stage gearboxes

Mains operation 400 V, 50 Hz			i	Product		
n_2 [r/min]	M_2 [Nm]	c		g500	m2□□	
31	1182	3.6	46.737	-B4300	40-P112/M4	
31	1188	2.3	46.973	-B2700	40-P112/M4	
29	1237	2.2	48.912	-B2700	40-P112/M4	
28	1313	1.1	51.920	-B1500	40-P112/M4	
27	1347	3.2	53.258	-B4300	40-P112/M4	
27	1367	2.0	54.082	-B2700	40-P112/M4	
25	1443	1.0	57.074	-B1500	40-P112/M4	
25	1477	1.0	58.422	-B1500	40-P112/M4	
25	1483	2.9	58.671	-B4300	40-P112/M4	
24	1502	1.8	59.393	-B2700	40-P112/M4	
22	1621	2.7	64.127	-B4300	40-P112/M4	
22	1624	0.9	64.221	-B1500	40-P112/M4	
22	1630	1.7	64.452	-B2700	40-P112/M4	
20	1809	0.8	71.566	-B1500	40-P112/M4	
20	1819	2.4	71.930	-B4300	40-P112/M4	
20	1819	1.5	71.951	-B2700	40-P112/M4	
19	1943	1.4	76.862	-B2700	40-P112/M4	
18	1988	2.2	78.619	-B4300	40-P112/M4	
17	2148	1.3	84.940	-B2700	40-P112/M4	
15	2359	1.1	93.283	-B2700	40-P112/M4	
15	2464	1.8	97.453	-B4300	40-P112/M4	
15	2465	1.1	97.481	-B2700	40-P112/M4	
14	2693	1.6	106.517	-B4300	40-P112/M4	
13	2707	1.0	107.056	-B2700	40-P112/M4	
12	2992	1.4	118.336	-B4300	40-P112/M4	
12	2993	0.9	118.370	-B2700	40-P112/M4	
11	3270	1.3	129.342	-B4300	40-P112/M4	
11	3287	0.8	129.996	-B2700	40-P112/M4	
9.4	3872	1.1	153.141	-B4300	40-P112/M4	
8.6	4232	1.0	167.383	-B4300	40-P112/M4	
7.7	4699	0.9	185.857	-B4300	40-P112/M4	
7.1	5136	0.8	203.143	-B4300	40-P112/M4	

g500-B bevel geared motors

Technical data



Selection tables, 4-pole motors

50 Hz: $P_N = 5.5 \text{ kW}$

3-stage gearboxes

Mains operation 400 V, 50 Hz			i	Product		
n_2 [r/min]	M_2 [Nm]	c		g500	m2□□	
296	169	1.9	4.958	-B820	40-P132/M4	
293	170	1.6	5.002	-B450	40-P132/M4	
289	173	2.2	5.067	-B600	40-P132/M4	
215	232	1.7	6.800	-B820	40-P132/M4	
214	234	1.3	6.860	-B450	40-P132/M4	
213	234	3.6	6.866	-B1500	40-P132/M4	
211	237	1.7	6.949	-B600	40-P132/M4	
192	259	1.8	7.617	-B600	40-P132/M4	
192	259	1.6	7.618	-B820	40-P132/M4	
172	290	1.6	8.517	-B820	40-P132/M4	
167	299	5.1	8.793	-B2700	40-P132/M4	
157	317	1.2	9.315	-B450	40-P132/M4	
154	324	3.1	9.516	-B1500	40-P132/M4	
154	324	1.5	9.520	-B820	40-P132/M4	
142	352	1.1	10.328	-B450	40-P132/M4	
140	356	1.5	10.447	-B820	40-P132/M4	
136	366	1.5	10.741	-B600	40-P132/M4	
134	371	3.6	10.902	-B1500	40-P132/M4	
125	398	1.4	11.680	-B820	40-P132/M4	
125	399	5.6	11.713	-B2700	40-P132/M4	
122	408	3.6	11.985	-B1500	40-P132/M4	
121	414	1.3	12.143	-B820	40-P132/M4	
115	435	0.9	12.775	-B450	40-P132/M4	
114	438	5.2	12.863	-B2700	40-P132/M4	
112	447	2.5	13.118	-B1500	40-P132/M4	
110	455	1.2	13.369	-B600	40-P132/M4	
110	455	1.4	13.370	-B820	40-P132/M4	
103	482	0.9	14.165	-B450	40-P132/M4	
100	498	1.3	14.626	-B820	40-P132/M4	
100	502	1.2	14.730	-B600	40-P132/M4	
98	507	4.7	14.888	-B2700	40-P132/M4	
97	515	2.9	15.111	-B1500	40-P132/M4	
90	557	4.4	16.351	-B2700	40-P132/M4	
90	557	1.3	16.352	-B820	40-P132/M4	
88	566	2.7	16.611	-B1500	40-P132/M4	
79	633	2.4	18.598	-B1500	40-P132/M4	
79	635	1.2	18.655	-B820	40-P132/M4	

g500-B bevel geared motors

Technical data



Selection tables, 4-pole motors

50 Hz: $P_N = 5.5 \text{ kW}$

3-stage gearboxes

Mains operation 400 V, 50 Hz			i	Product		
n_2 [r/min]	M_2 [Nm]	c		g500	m2□□	
78	642	0.9	18.851	-B600	40-P132/M4	
75	665	3.9	19.542	-B2700	40-P132/M4	
72	696	2.2	20.444	-B1500	40-P132/M4	
71	702	0.9	20.622	-B600	40-P132/M4	
70	710	1.2	20.857	-B820	40-P132/M4	
70	717	6.0	21.065	-B4300	40-P132/M4	
66	758	3.5	22.269	-B2700	40-P132/M4	
64	778	1.1	22.853	-B820	40-P132/M4	
64	780	1.9	22.898	-B1500	40-P132/M4	
63	790	5.4	23.206	-B4300	40-P132/M4	
61	816	1.8	23.973	-B1500	40-P132/M4	
60	833	3.2	24.456	-B2700	40-P132/M4	
58	864	5.0	25.365	-B4300	40-P132/M4	
57	870	0.9	25.550	-B820	40-P132/M4	
56	897	1.7	26.353	-B1500	40-P132/M4	
55	913	3.0	26.814	-B2700	40-P132/M4	
52	954	4.5	28.013	-B4300	40-P132/M4	
50	995	1.5	29.206	-B1500	40-P132/M4	
50	1003	2.7	29.447	-B2700	40-P132/M4	
47	1059	4.1	31.097	-B4300	40-P132/M4	
45	1108	1.4	32.547	-B1500	40-P132/M4	
45	1119	2.4	32.873	-B2700	40-P132/M4	
41	1213	3.6	35.607	-B4300	40-P132/M4	
41	1218	1.2	35.778	-B1500	40-P132/M4	
41	1229	2.2	36.102	-B2700	40-P132/M4	
40	1244	1.2	36.526	-B1500	40-P132/M4	
38	1313	3.3	38.546	-B4300	40-P132/M4	
36	1393	1.1	40.895	-B1500	40-P132/M4	
34	1456	3.0	42.760	-B4300	40-P132/M4	
34	1457	1.9	42.772	-B2700	40-P132/M4	
33	1531	1.0	44.955	-B1500	40-P132/M4	
32	1586	1.0	46.568	-B1500	40-P132/M4	
31	1592	2.7	46.737	-B4300	40-P132/M4	
31	1600	1.7	46.973	-B2700	40-P132/M4	
30	1666	1.6	48.912	-B2700	40-P132/M4	
28	1814	2.4	53.258	-B4300	40-P132/M4	
27	1842	1.5	54.082	-B2700	40-P132/M4	

g500-B bevel geared motors

Technical data



Selection tables, 4-pole motors

50 Hz: $P_N = 5.5 \text{ kW}$

3-stage gearboxes

Mains operation 400 V, 50 Hz			i	Product		
n_2 [r/min]	M_2 [Nm]	c		g500	m2□□	
25	1998	2.2	58.671	-B4300	40-P132/M4	
25	2023	1.3	59.393	-B2700	40-P132/M4	
23	2184	2.0	64.127	-B4300	40-P132/M4	
23	2195	1.2	64.452	-B2700	40-P132/M4	
20	2449	1.8	71.930	-B4300	40-P132/M4	
20	2450	1.1	71.951	-B2700	40-P132/M4	
19	2677	1.6	78.619	-B4300	40-P132/M4	
15	3319	1.3	97.453	-B4300	40-P132/M4	
15	3320	0.8	97.481	-B2700	40-P132/M4	
14	3627	1.2	106.517	-B4300	40-P132/M4	
12	4030	1.1	118.336	-B4300	40-P132/M4	
11	4404	1.0	129.342	-B4300	40-P132/M4	

g500-B bevel geared motors

Technical data



Selection tables, 4-pole motors

50 Hz: $P_N = 7.5 \text{ kW}$

3-stage gearboxes

Mains operation 400 V, 50 Hz			i	Product		
n_2 [r/min]	M_2 [Nm]	c		g500	m2□□	
295	231	1.4	4.958	-B820	40-P132/L4	
292	233	1.2	5.002	-B450	40-P132/L4	
288	236	1.6	5.067	-B600	40-P132/L4	
266	256	5.5	5.488	-B4300	40-P132/L4	
215	317	1.2	6.800	-B820	40-P132/L4	
213	320	1.0	6.860	-B450	40-P132/L4	
213	320	2.6	6.866	-B1500	40-P132/L4	
211	322	4.5	6.918	-B2700	40-P132/L4	
210	324	1.2	6.949	-B600	40-P132/L4	
209	325	5.1	6.976	-B4300	40-P132/L4	
192	355	1.3	7.617	-B600	40-P132/L4	
192	355	1.2	7.618	-B820	40-P132/L4	
171	397	1.2	8.517	-B820	40-P132/L4	
166	410	3.7	8.793	-B2700	40-P132/L4	
160	427	4.8	9.156	-B4300	40-P132/L4	
157	434	0.9	9.315	-B450	40-P132/L4	
153	443	2.3	9.516	-B1500	40-P132/L4	
153	444	1.1	9.520	-B820	40-P132/L4	
144	472	5.5	10.137	-B4300	40-P132/L4	
140	487	1.1	10.447	-B820	40-P132/L4	
136	500	1.1	10.741	-B600	40-P132/L4	
134	508	2.6	10.902	-B1500	40-P132/L4	
132	516	5.5	11.080	-B4300	40-P132/L4	
125	544	1.1	11.680	-B820	40-P132/L4	
125	546	4.1	11.713	-B2700	40-P132/L4	
122	558	2.6	11.985	-B1500	40-P132/L4	
120	566	1.0	12.143	-B820	40-P132/L4	
114	599	3.8	12.863	-B2700	40-P132/L4	
113	600	5.1	12.885	-B4300	40-P132/L4	
111	611	1.8	13.118	-B1500	40-P132/L4	
109	623	0.9	13.369	-B600	40-P132/L4	
109	623	1.0	13.370	-B820	40-P132/L4	
104	656	5.1	14.084	-B4300	40-P132/L4	
100	681	1.0	14.626	-B820	40-P132/L4	
99	686	0.9	14.730	-B600	40-P132/L4	
98	694	3.4	14.888	-B2700	40-P132/L4	
97	704	2.1	15.111	-B1500	40-P132/L4	

g500-B bevel geared motors

Technical data



Selection tables, 4-pole motors

50 Hz: $P_N = 7.5 \text{ kW}$

3-stage gearboxes

Mains operation 400 V, 50 Hz			i	Product		
n_2 [r/min]	M_2 [Nm]	c		g500	m2□□	
89	762	3.2	16.351	-B2700	40-P132/L4	
89	762	0.9	16.352	-B820	40-P132/L4	
88	774	1.9	16.611	-B1500	40-P132/L4	
86	788	4.8	16.913	-B4300	40-P132/L4	
79	861	4.8	18.486	-B4300	40-P132/L4	
79	867	1.7	18.598	-B1500	40-P132/L4	
78	869	0.9	18.655	-B820	40-P132/L4	
75	911	2.8	19.542	-B2700	40-P132/L4	
71	953	1.6	20.444	-B1500	40-P132/L4	
70	972	0.8	20.857	-B820	40-P132/L4	
69	982	4.4	21.065	-B4300	40-P132/L4	
66	1038	2.6	22.269	-B2700	40-P132/L4	
64	1067	1.4	22.898	-B1500	40-P132/L4	
63	1081	4.0	23.206	-B4300	40-P132/L4	
60	1140	2.4	24.456	-B2700	40-P132/L4	
58	1182	3.6	25.365	-B4300	40-P132/L4	
54	1249	2.2	26.814	-B2700	40-P132/L4	
52	1305	3.3	28.013	-B4300	40-P132/L4	
50	1361	1.1	29.206	-B1500	40-P132/L4	
50	1372	2.0	29.447	-B2700	40-P132/L4	
47	1449	3.0	31.097	-B4300	40-P132/L4	
45	1517	1.0	32.547	-B1500	40-P132/L4	
44	1532	1.8	32.873	-B2700	40-P132/L4	
41	1659	2.6	35.607	-B4300	40-P132/L4	
41	1667	0.9	35.778	-B1500	40-P132/L4	
40	1682	1.6	36.102	-B2700	40-P132/L4	
38	1796	2.4	38.546	-B4300	40-P132/L4	
34	1992	2.2	42.760	-B4300	40-P132/L4	
34	1993	1.4	42.772	-B2700	40-P132/L4	
31	2178	2.0	46.737	-B4300	40-P132/L4	
30	2279	1.2	48.912	-B2700	40-P132/L4	
27	2482	1.7	53.258	-B4300	40-P132/L4	
27	2520	1.1	54.082	-B2700	40-P132/L4	
25	2734	1.6	58.671	-B4300	40-P132/L4	
25	2767	1.0	59.393	-B2700	40-P132/L4	
23	2988	1.4	64.127	-B4300	40-P132/L4	
20	3352	1.3	71.930	-B4300	40-P132/L4	

g500-B bevel geared motors

Technical data



Selection tables, 4-pole motors

50 Hz: $P_N = 7.5 \text{ kW}$

3-stage gearboxes

Mains operation 400 V, 50 Hz			i	Product		
n_2 [r/min]	M_2 [Nm]	c		g500	m2□□	
20	3353	0.8	71.951	-B2700	40-P132/L4	
19	3663	1.2	78.619	-B4300	40-P132/L4	
15	4541	1.0	97.453	-B4300	40-P132/L4	
14	4963	0.9	106.517	-B4300	40-P132/L4	

g500-B bevel geared motors




Technical data

Selection tables, 4-pole motors

50 Hz: $P_N = 11.0$ kW

3-stage gearboxes

Mains operation 400 V, 50 Hz			i	Product		
n_2 [r/min]	M_2 [Nm]	c		g500	m2□□	
268	372	5.8	5.488	-B4300	40-P160/M4	
214	466	1.8	6.866	-B1500	40-P160/M4	
213	470	3.1	6.918	-B2700	40-P160/M4	
211	473	5.1	6.976	-B4300	40-P160/M4	
167	597	2.6	8.793	-B2700	40-P160/M4	
161	621	4.3	9.156	-B4300	40-P160/M4	
155	646	1.6	9.516	-B1500	40-P160/M4	
145	688	5.7	10.137	-B4300	40-P160/M4	
135	740	1.8	10.902	-B1500	40-P160/M4	
133	752	5.7	11.080	-B4300	40-P160/M4	
126	795	2.8	11.713	-B2700	40-P160/M4	
123	813	1.8	11.985	-B1500	40-P160/M4	
114	873	2.6	12.863	-B2700	40-P160/M4	
114	875	4.9	12.885	-B4300	40-P160/M4	
112	890	1.3	13.118	-B1500	40-P160/M4	
104	956	4.5	14.084	-B4300	40-P160/M4	
99	1011	2.4	14.888	-B2700	40-P160/M4	
97	1026	1.5	15.111	-B1500	40-P160/M4	
90	1110	2.2	16.351	-B2700	40-P160/M4	
89	1127	1.3	16.611	-B1500	40-P160/M4	
87	1148	3.8	16.913	-B4300	40-P160/M4	
80	1255	3.4	18.486	-B4300	40-P160/M4	
79	1262	1.2	18.598	-B1500	40-P160/M4	
75	1326	1.9	19.542	-B2700	40-P160/M4	
72	1388	1.1	20.444	-B1500	40-P160/M4	
70	1430	3.0	21.065	-B4300	40-P160/M4	
66	1511	1.8	22.269	-B2700	40-P160/M4	
64	1554	1.0	22.898	-B1500	40-P160/M4	
63	1575	2.7	23.206	-B4300	40-P160/M4	
60	1660	1.6	24.456	-B2700	40-P160/M4	
58	1722	2.5	25.365	-B4300	40-P160/M4	
55	1820	1.5	26.814	-B2700	40-P160/M4	
53	1901	2.3	28.013	-B4300	40-P160/M4	
50	1999	1.4	29.447	-B2700	40-P160/M4	
47	2111	2.0	31.097	-B4300	40-P160/M4	
45	2231	1.2	32.873	-B2700	40-P160/M4	
41	2417	1.8	35.607	-B4300	40-P160/M4	

g500-B bevel geared motors

Technical data



Selection tables, 4-pole motors

50 Hz: $P_N = 11.0$ kW

3-stage gearboxes

Mains operation 400 V, 50 Hz			i	Product		
n_2 [r/min]	M_2 [Nm]	c		g500	m2□□	
41	2450	1.1	36.102	-B2700	40-P160/M4	
34	2902	1.5	42.760	-B4300	40-P160/M4	
32	3172	1.4	46.737	-B4300	40-P160/M4	
28	3615	1.2	53.258	-B4300	40-P160/M4	
25	3982	1.1	58.671	-B4300	40-P160/M4	
23	4353	1.0	64.127	-B4300	40-P160/M4	
20	4882	0.9	71.930	-B4300	40-P160/M4	
19	5336	0.8	78.619	-B4300	40-P160/M4	

g500-B bevel geared motors

Technical data



Selection tables, 4-pole motors

50 Hz: $P_N = 15.0$ kW

3-stage gearboxes

Mains operation 400 V, 50 Hz			i	Product		
n_2 [r/min]	M_2 [Nm]	c		g500	m2□□	
268	508	4.3	5.488	-B4300	40-P160/L4	
213	640	2.3	6.918	-B2700	40-P160/L4	
211	646	3.7	6.976	-B4300	40-P160/L4	
167	814	1.9	8.793	-B2700	40-P160/L4	
161	847	3.2	9.156	-B4300	40-P160/L4	
155	881	1.1	9.516	-B1500	40-P160/L4	
145	938	4.2	10.137	-B4300	40-P160/L4	
133	1026	4.1	11.080	-B4300	40-P160/L4	
114	1193	3.6	12.885	-B4300	40-P160/L4	
112	1214	0.9	13.118	-B1500	40-P160/L4	
104	1304	3.3	14.084	-B4300	40-P160/L4	
99	1378	1.7	14.888	-B2700	40-P160/L4	
87	1565	2.8	16.913	-B4300	40-P160/L4	
80	1711	2.5	18.486	-B4300	40-P160/L4	
75	1809	1.4	19.542	-B2700	40-P160/L4	
70	1950	2.2	21.065	-B4300	40-P160/L4	
66	2061	1.3	22.269	-B2700	40-P160/L4	
63	2148	2.0	23.206	-B4300	40-P160/L4	
60	2264	1.2	24.456	-B2700	40-P160/L4	
58	2348	1.8	25.365	-B4300	40-P160/L4	
55	2482	1.1	26.814	-B2700	40-P160/L4	
50	2726	1.0	29.447	-B2700	40-P160/L4	
47	2878	1.5	31.097	-B4300	40-P160/L4	
45	3043	0.9	32.873	-B2700	40-P160/L4	
41	3341	0.8	36.102	-B2700	40-P160/L4	

g500-B bevel geared motors

Technical data



Selection tables, 4-pole motors

50 Hz: $P_N = 18.5 \text{ kW}$

3-stage gearboxes

Mains operation 400 V, 50 Hz			i	Product		
n_2 [r/min]	M_2 [Nm]	c		g500	m2□□	
266	631	3.4	5.488	-B4300	40-P180/M4	
209	802	3.0	6.976	-B4300	40-P180/M4	
160	1052	2.6	9.156	-B4300	40-P180/M4	
144	1165	3.4	10.137	-B4300	40-P180/M4	
132	1273	3.3	11.080	-B4300	40-P180/M4	
113	1481	2.9	12.885	-B4300	40-P180/M4	
104	1619	2.7	14.084	-B4300	40-P180/M4	
86	1944	2.2	16.913	-B4300	40-P180/M4	
79	2125	2.0	18.486	-B4300	40-P180/M4	
69	2421	1.8	21.065	-B4300	40-P180/M4	
63	2667	1.6	23.206	-B4300	40-P180/M4	
58	2915	1.5	25.365	-B4300	40-P180/M4	
47	3574	1.2	31.097	-B4300	40-P180/M4	

g500-B bevel geared motors

Technical data



Selection tables, 4-pole motors

50 Hz: $P_N = 22.0$ kW

3-stage gearboxes

Mains operation 400 V, 50 Hz			i	Product		
n_2 [r/min]	M_2 [Nm]	c		g500	m2□□	
267	748	2.9	5.488	-B4300	40-P180/L4	
210	950	2.5	6.976	-B4300	40-P180/L4	
160	1247	2.2	9.156	-B4300	40-P180/L4	
145	1381	2.9	10.137	-B4300	40-P180/L4	
132	1509	2.8	11.080	-B4300	40-P180/L4	
114	1755	2.5	12.885	-B4300	40-P180/L4	
104	1918	2.2	14.084	-B4300	40-P180/L4	
87	2304	1.9	16.913	-B4300	40-P180/L4	
79	2518	1.7	18.486	-B4300	40-P180/L4	
70	2869	1.5	21.065	-B4300	40-P180/L4	
63	3161	1.4	23.206	-B4300	40-P180/L4	
58	3455	1.2	25.365	-B4300	40-P180/L4	
47	4236	1.0	31.097	-B4300	40-P180/L4	

g500-B bevel geared motors

Technical data



Selection tables, 4-pole motors

50 Hz: $P_N = 30.0 \text{ kW}$

3-stage gearboxes

Mains operation 400 V, 50 Hz			i	Product		
n_2 [r/min]	M_2 [Nm]	c		g500	m2□□	
269	1012	2.1	5.488	-B4300	40-P180/V4	
211	1287	1.9	6.976	-B4300	40-P180/V4	
161	1689	1.6	9.156	-B4300	40-P180/V4	
146	1870	2.1	10.137	-B4300	40-P180/V4	
115	2377	1.8	12.885	-B4300	40-P180/V4	
87	3120	1.4	16.913	-B4300	40-P180/V4	
70	3886	1.1	21.065	-B4300	40-P180/V4	
64	4281	1.0	23.206	-B4300	40-P180/V4	

g500-B bevel geared motors

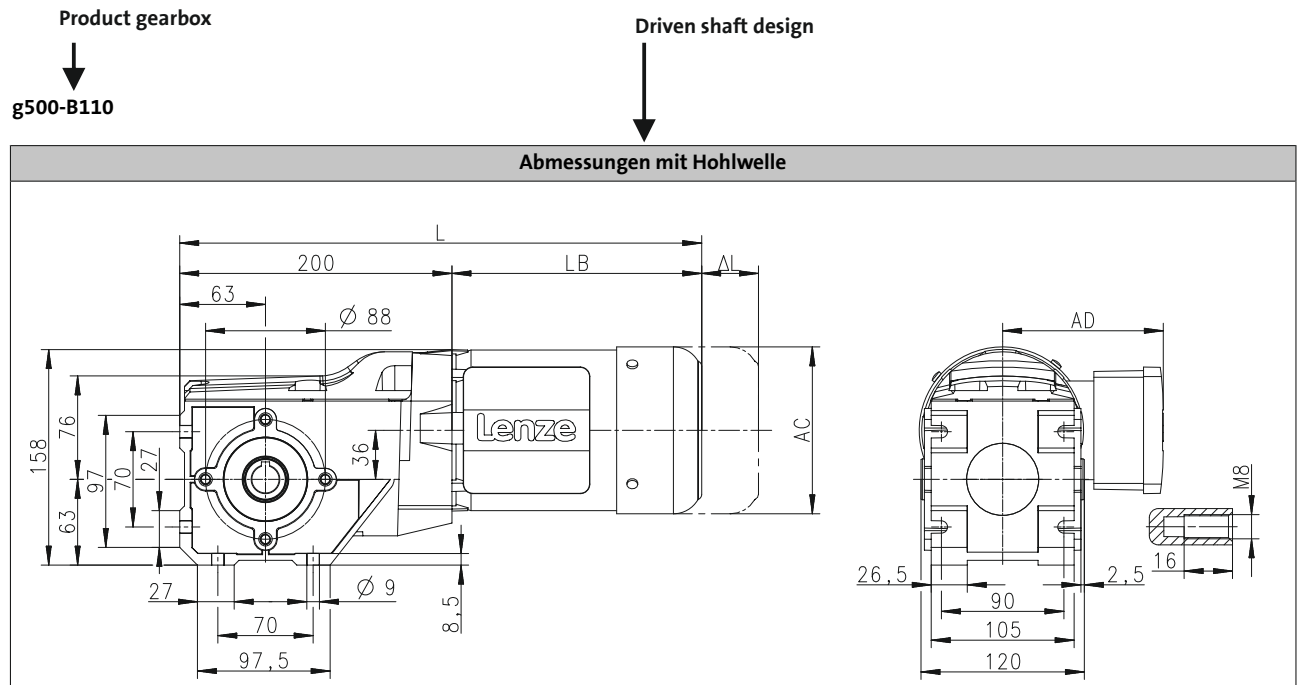
Technical data



Dimensions, notes

Notes on the dimensions

The following legend shows the layout of the dimension sheets.



Product Motor

			MD□MA□□				
			063-12	063-32	063-42	071-32	071-42
Gesamtlänge	L	[mm]	←	383			403
Länge Motor	LB	[mm]	←	183			203
Länge Motoranbauten	ΔL	[mm]	←	170			165
Motordurchmesser	AC	[mm]	←	123			139
Abstand Motor/Anschluss	AD	[mm]	←	100			109

Distance of motor centre to the end of terminal box

Motor diameter

Total length of the drive without built-on accessories

Motor length without built-on accessories

Additional length of the built-on accessories (longest version)

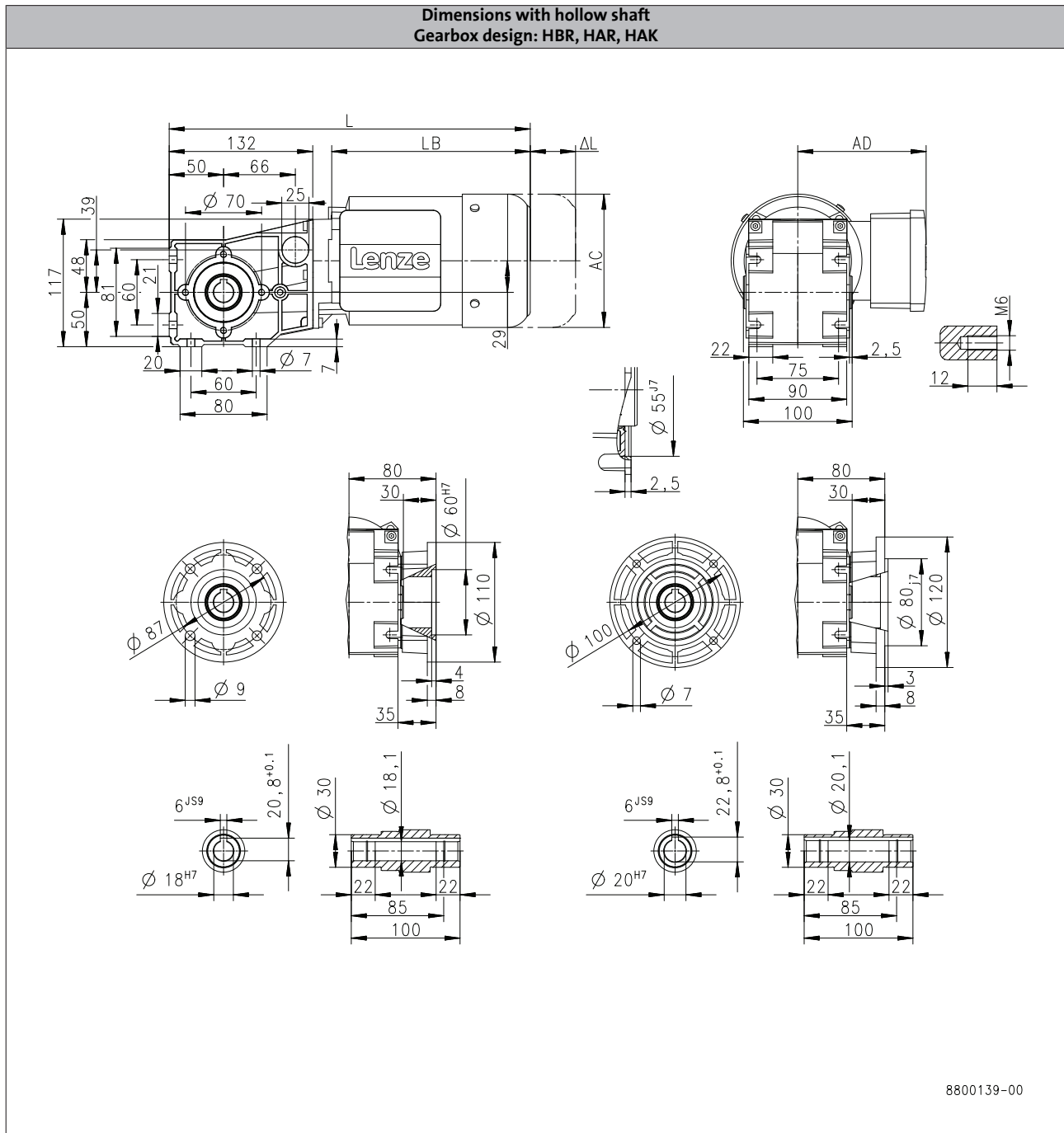
g500-B bevel geared motors

Technical data



Dimensions, 4-pole motors

g500-B45



		MD□MA□□								
			063-02	063-12	063-22	063-32	063-42	071-32	071-42	
Total length	L	[mm]	305	332	305	332		352		
Motor length	LB	[mm]	156	183	156	183		203		
Length of motor options	Δ L	[mm]	71.0	40.0	71.0	40.0		52.0		
Motor diameter	AC	[mm]					123			139
Distance motor/connection	AD	[mm]					107			118

L = length of the motor without built-on accessories
 ΔL = additional length of the built-on accessories (with brake)

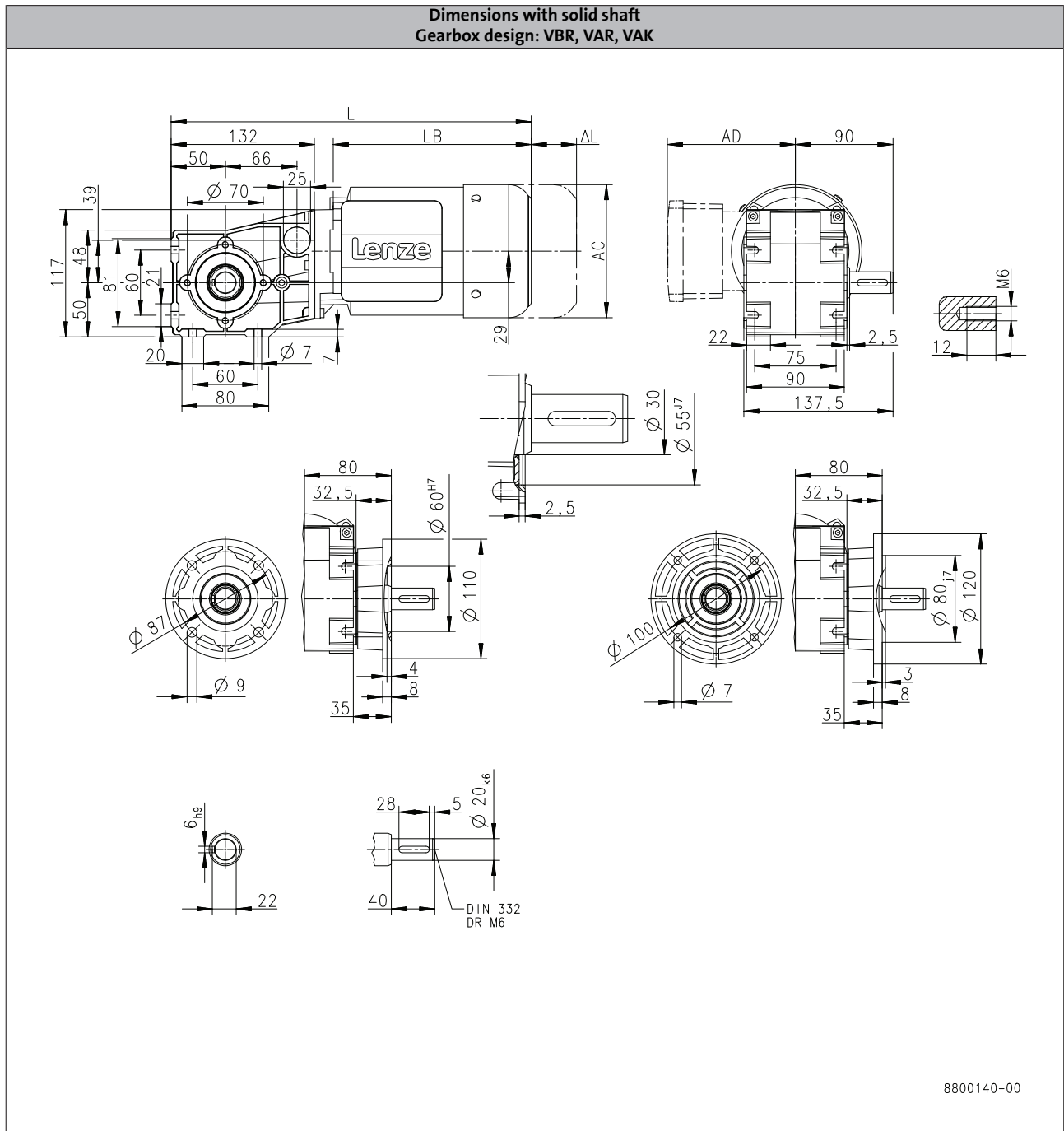
g500-B bevel geared motors

Technical data



Dimensions, 4-pole motors

g500-B45



6.5

			MD□MA□□							
			063-02	063-12	063-22	063-32	063-42	071-32	071-42	
Total length	L	[mm]	305	332	305	332		352		
Motor length	LB	[mm]	156	183	156	183		203		
Length of motor options	Δ L	[mm]	71.0	40.0	71.0	40.0		52.0		
Motor diameter	AC	[mm]						123		139
Distance motor/connection	AD	[mm]						107		118

L = length of the motor without built-on accessories
 ΔL = additional length of the built-on accessories (with brake)

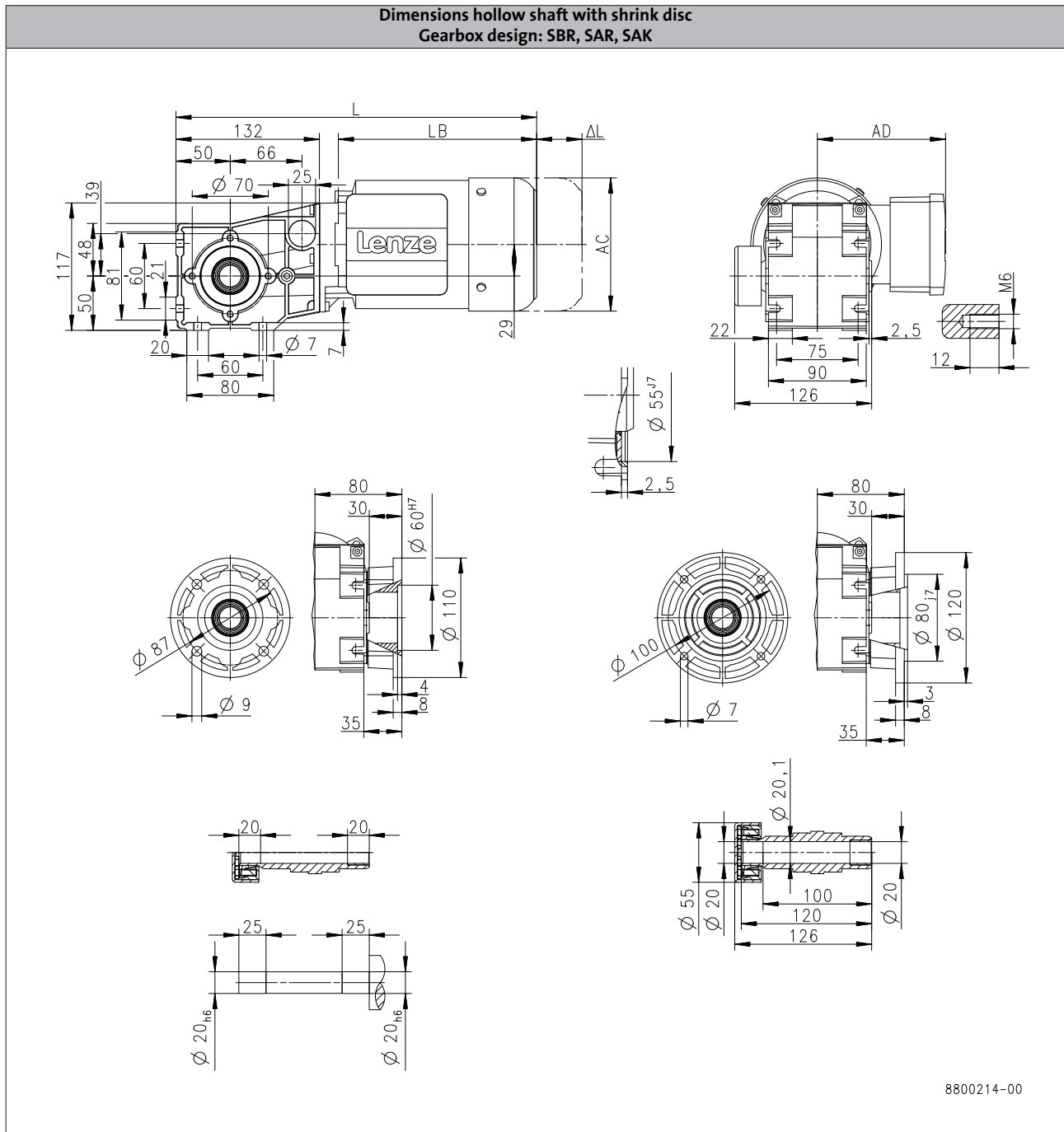
g500-B bevel geared motors

Technical data



Dimensions, 4-pole motors

g500-B45



			MD□MA□□							
			063-02	063-12	063-22	063-32	063-42	071-32	071-42	
Total length	L	[mm]	305	332	305	332		352		
Motor length	LB	[mm]	156	183	156	183		203		
Length of motor options	Δ L	[mm]	71.0	40.0	71.0	40.0		52.0		
Motor diameter	AC	[mm]	123						139	
Distance motor/connection	AD	[mm]	107						118	

L = length of the motor without built-on accessories
 ΔL = additional length of the built-on accessories (with brake)

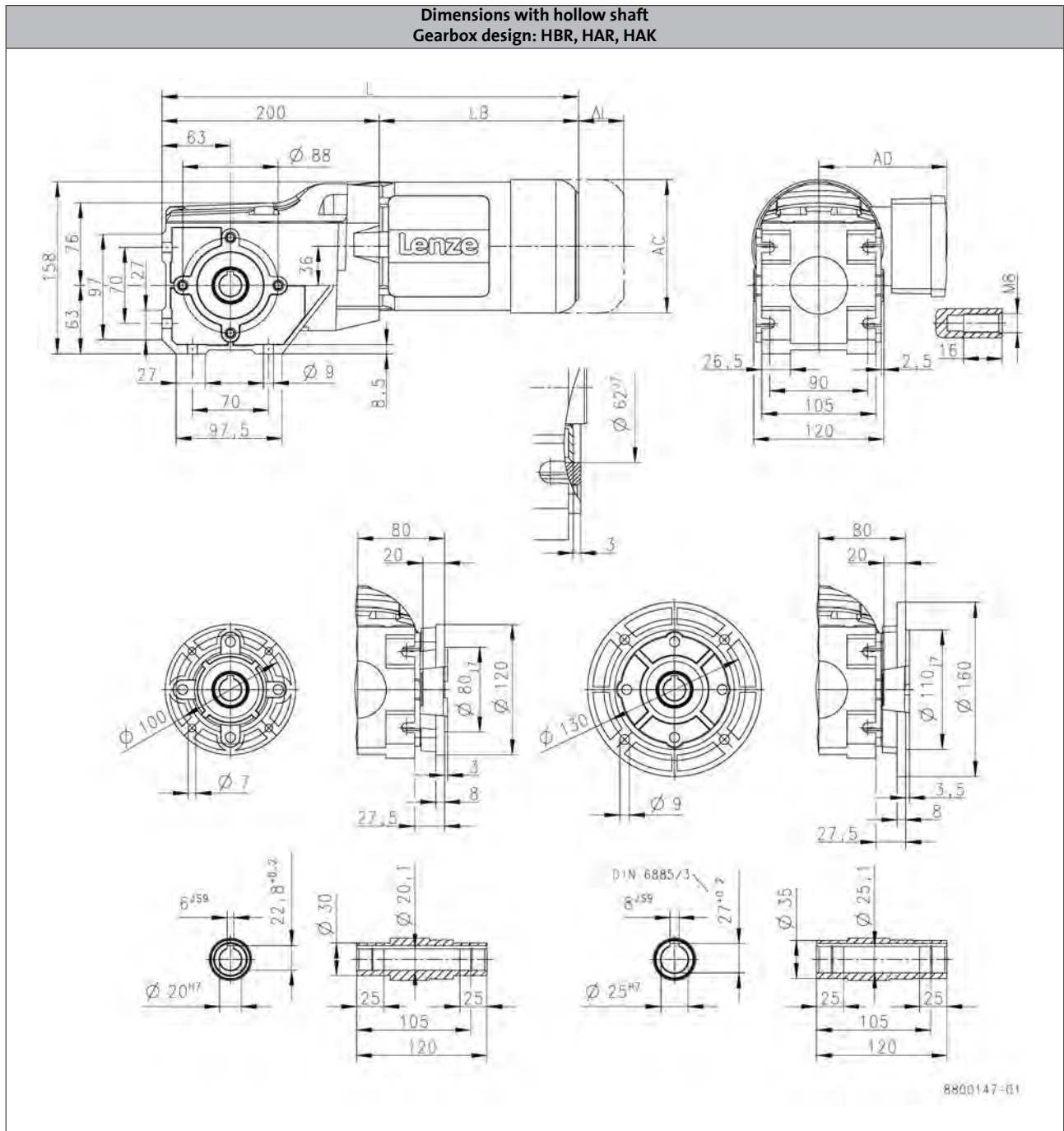
g500-B bevel geared motors

Technical data



Dimensions, 4-pole motors

g500-B110



		MD□MA□□				
		063-12	063-32	063-42	071-32	071-42
Total length	L [mm]		383			403
Motor length	LB [mm]		183			203
Length of motor options	Δ L [mm]		40.0			52.0
Motor diameter	AC [mm]		123			139
Distance motor/connection	AD [mm]		107			118

L = length of the motor without built-on accessories
 ΔL = additional length of the built-on accessories (with brake)

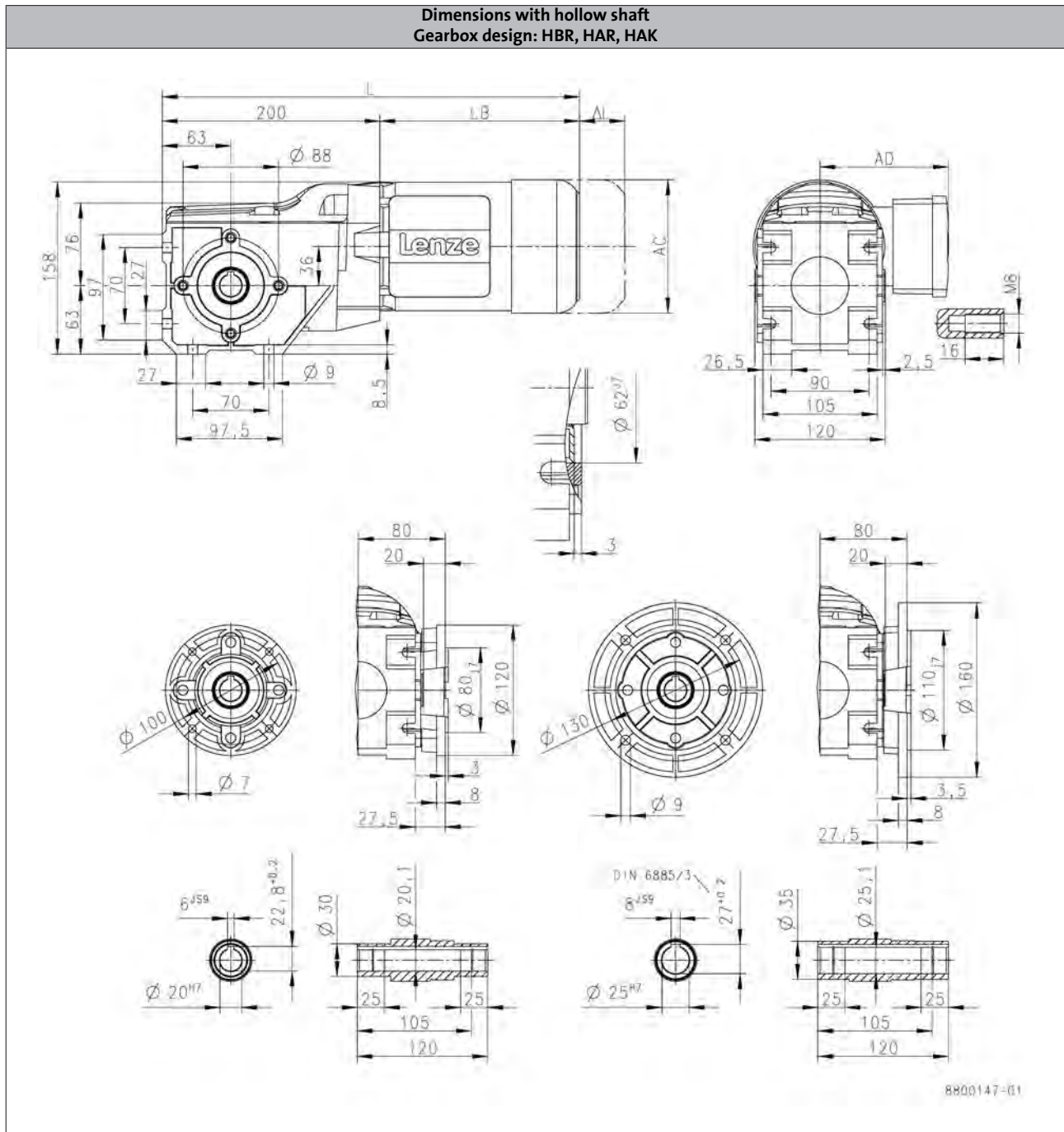
g500-B bevel geared motors

Technical data



Dimensions, 4-pole motors

g500-B110



			m240		
			-P80/M4	-P90/M4	-P90/L4
Total length	L	[mm]	425		494
Motor length	LB	[mm]	225		294
Length of motor options	ΔL	[mm]	107		92.0
Motor diameter	AC	[mm]	158		172
Distance motor/connection	AD	[mm]	148		155

L = length of the motor without built-on accessories
 ΔL = additional length of the built-on accessories (with brake)

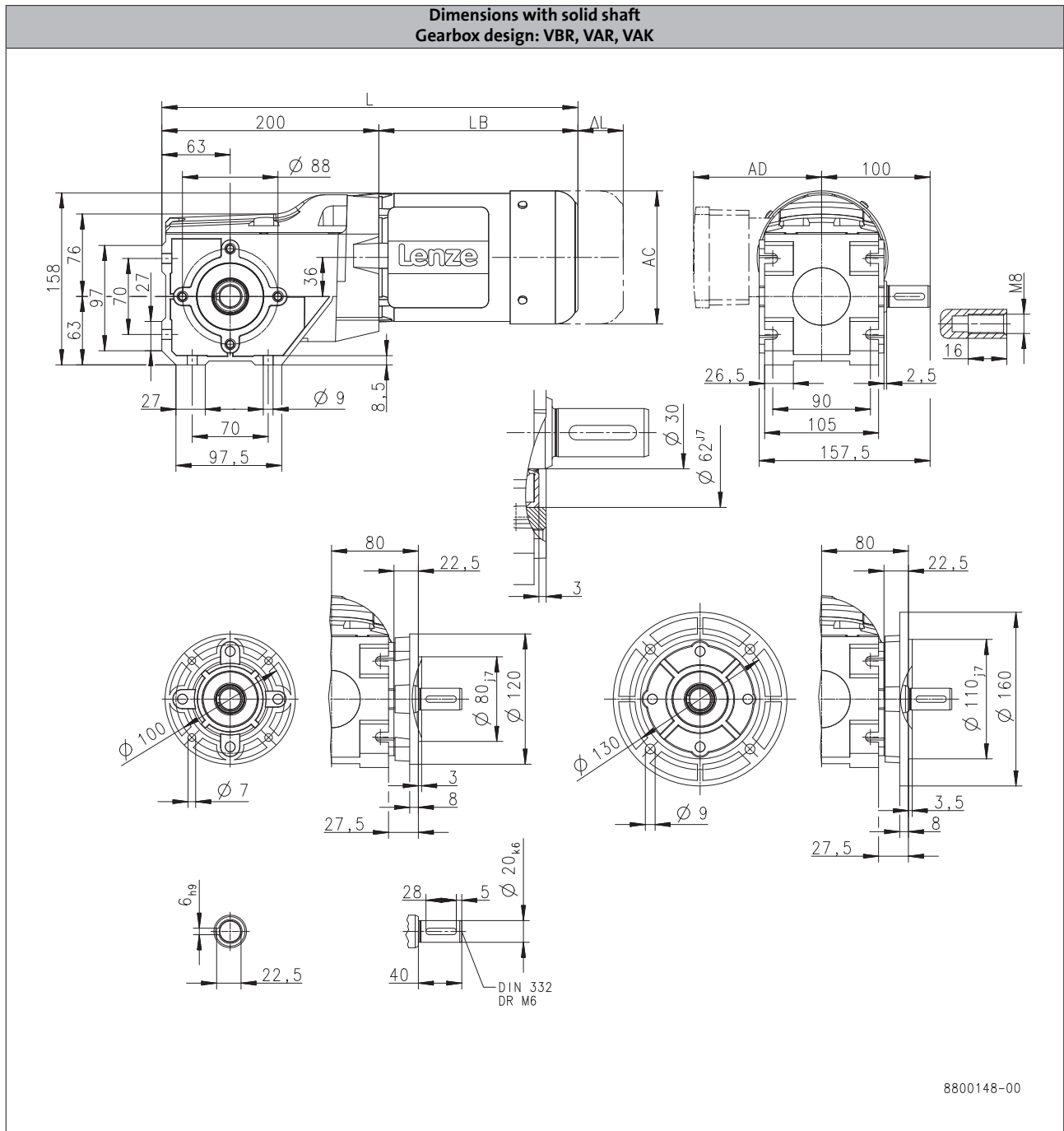
g500-B bevel geared motors

Technical data



Dimensions, 4-pole motors

g500-B110



6.5

		MD□MA□□				
		063-12	063-32	063-42	071-32	071-42
Total length	L [mm]		383			403
Motor length	LB [mm]		183			203
Length of motor options	Δ L [mm]		40.0			52.0
Motor diameter	AC [mm]		123			139
Distance motor/connection	AD [mm]		107			118

L = length of the motor without built-on accessories
 ΔL = additional length of the built-on accessories (with brake)

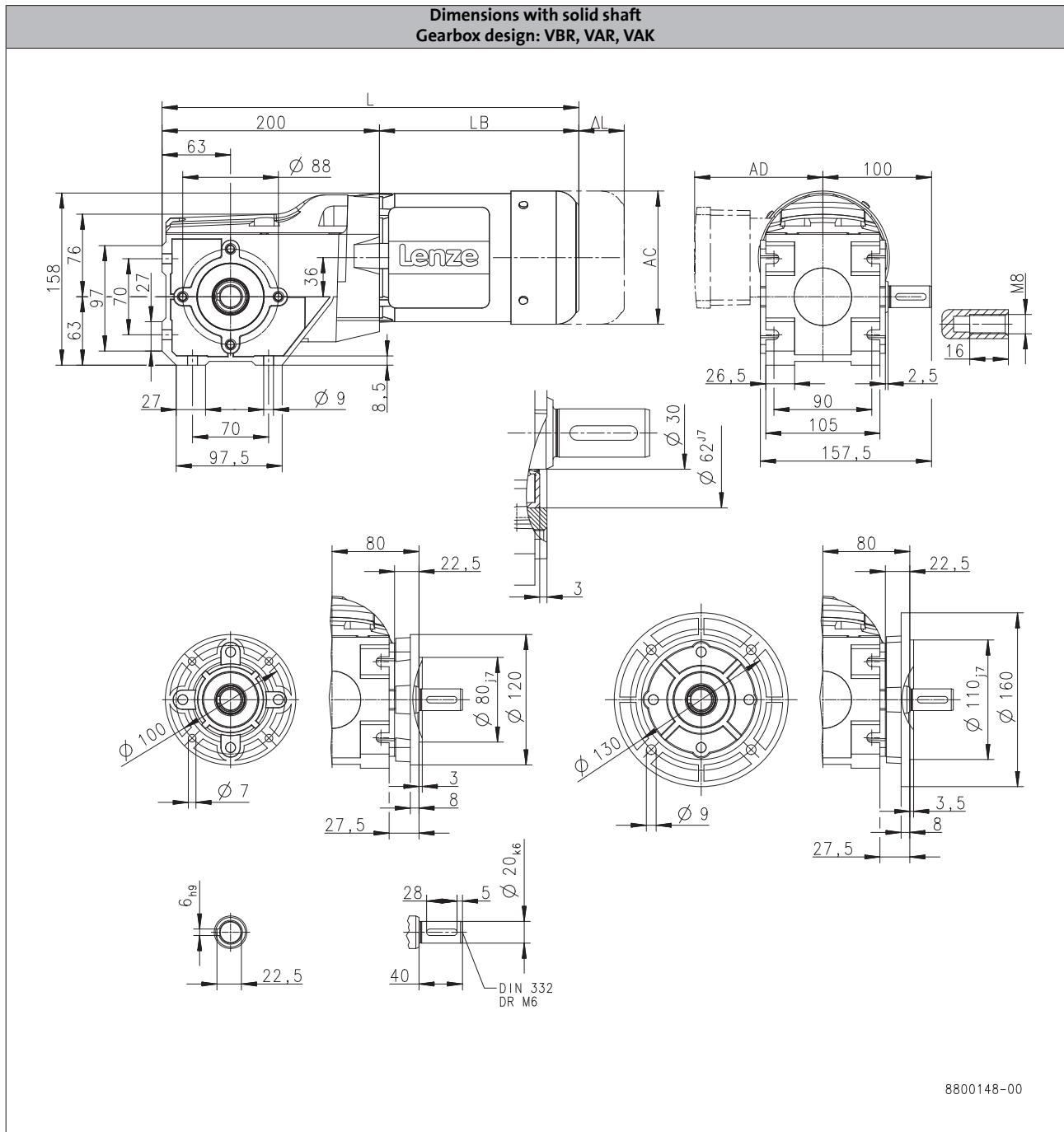
g500-B bevel geared motors

Technical data



Dimensions, 4-pole motors

g500-B110



			m240		
			-P80/M4	-P90/M4	-P90/L4
Total length	L	[mm]	425		494
Motor length	LB	[mm]	225		294
Length of motor options	Δ L	[mm]	107		92.0
Motor diameter	AC	[mm]	158		172
Distance motor/connection	AD	[mm]	148		155

L = length of the motor without built-on accessories
 ΔL = additional length of the built-on accessories (with brake)

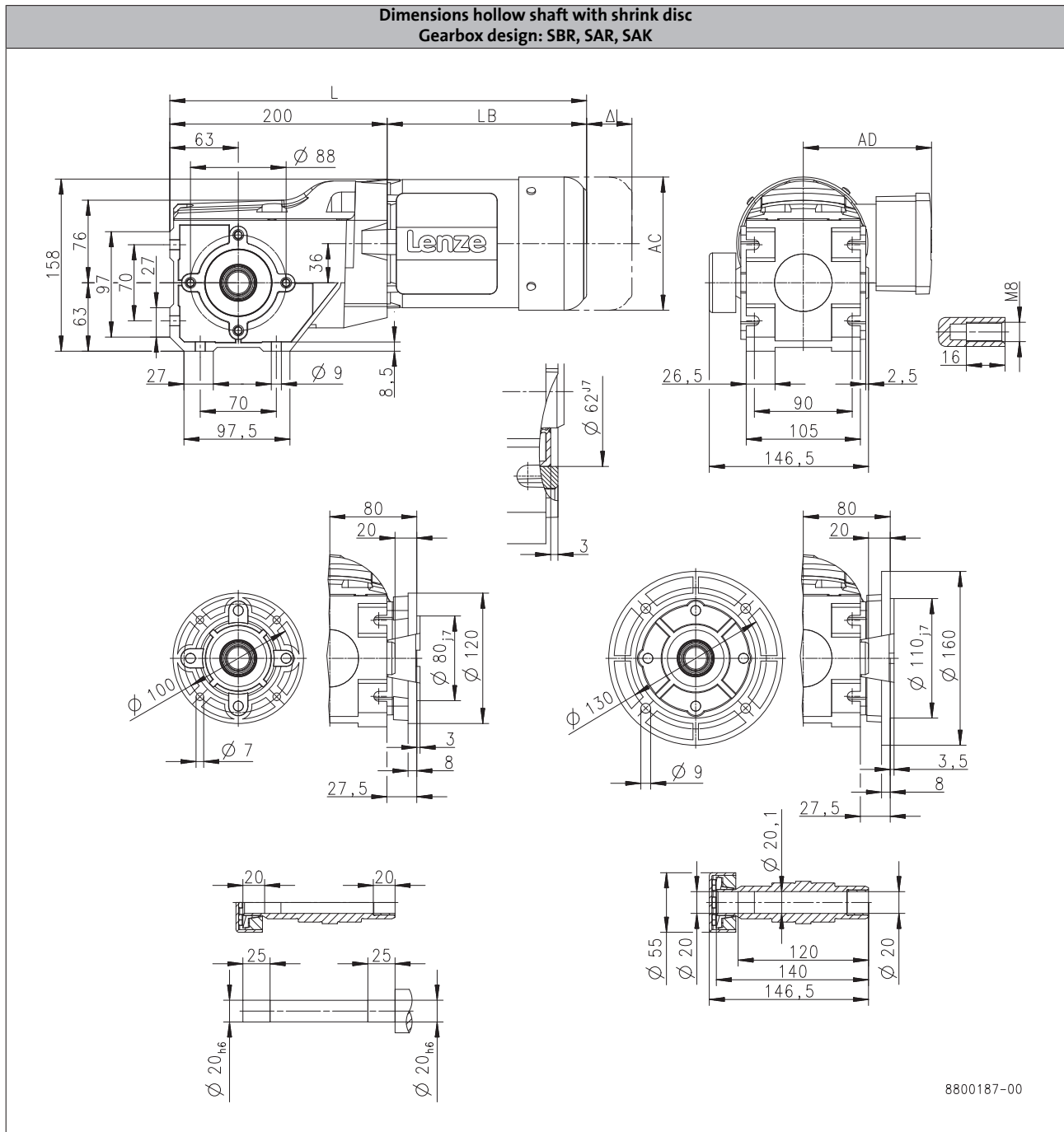
g500-B bevel geared motors

Technical data



Dimensions, 4-pole motors

g500-B110



		MD□MA□□				
		063-12	063-32	063-42	071-32	071-42
Total length	L [mm]		383			403
Motor length	LB [mm]		183			203
Length of motor options	Δ L [mm]		40.0			52.0
Motor diameter	AC [mm]		123			139
Distance motor/connection	AD [mm]		107			118

L = length of the motor without built-on accessories
 ΔL = additional length of the built-on accessories (with brake)

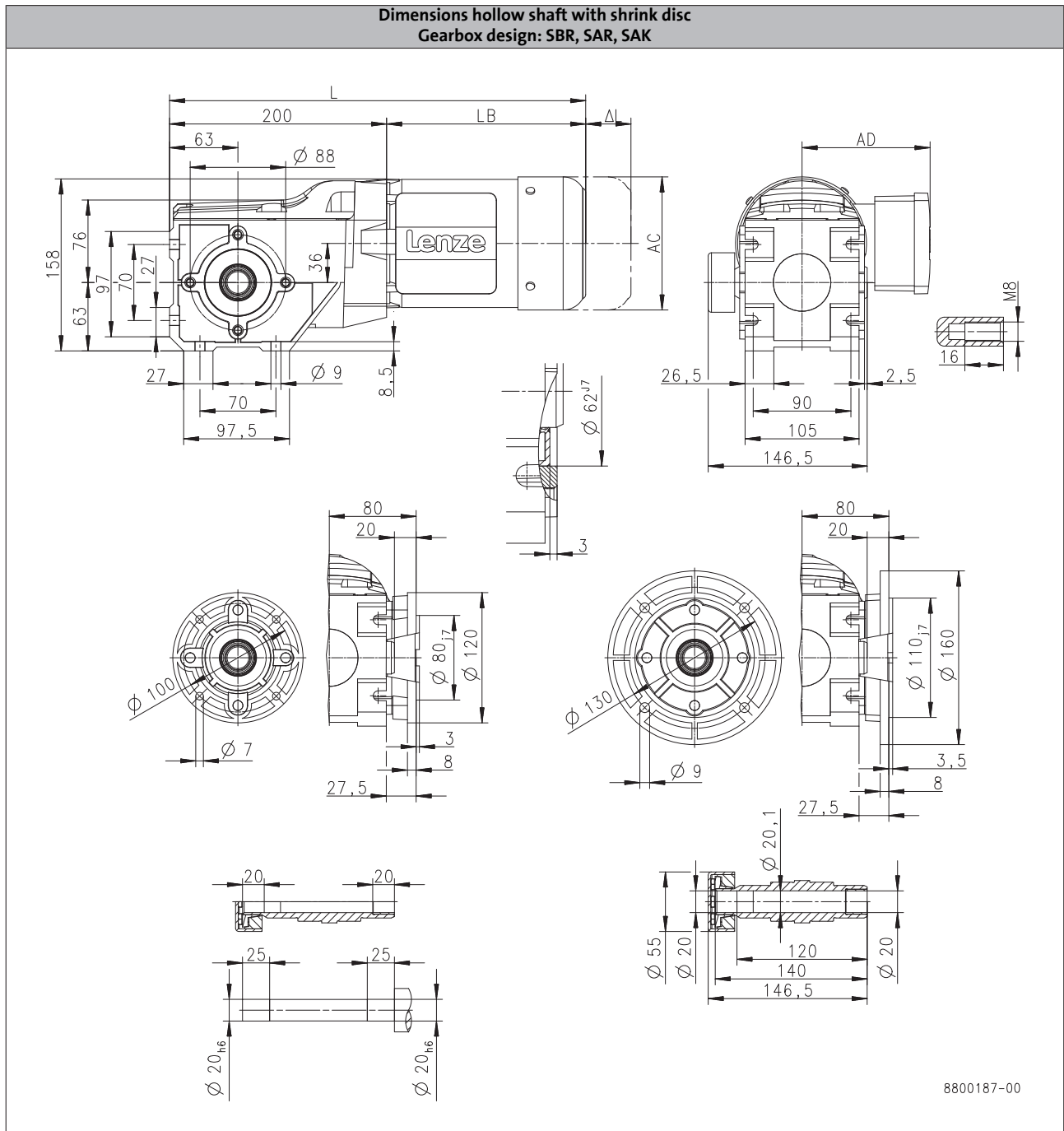
g500-B bevel geared motors

Technical data



Dimensions, 4-pole motors

g500-B110



			m240		
			-P80/M4	-P90/M4	-P90/L4
Total length	L	[mm]	425		494
Motor length	LB	[mm]	225		294
Length of motor options	Δ L	[mm]	107		92.0
Motor diameter	AC	[mm]	158		172
Distance motor/connection	AD	[mm]	148		155

L = length of the motor without built-on accessories
 ΔL = additional length of the built-on accessories (with brake)

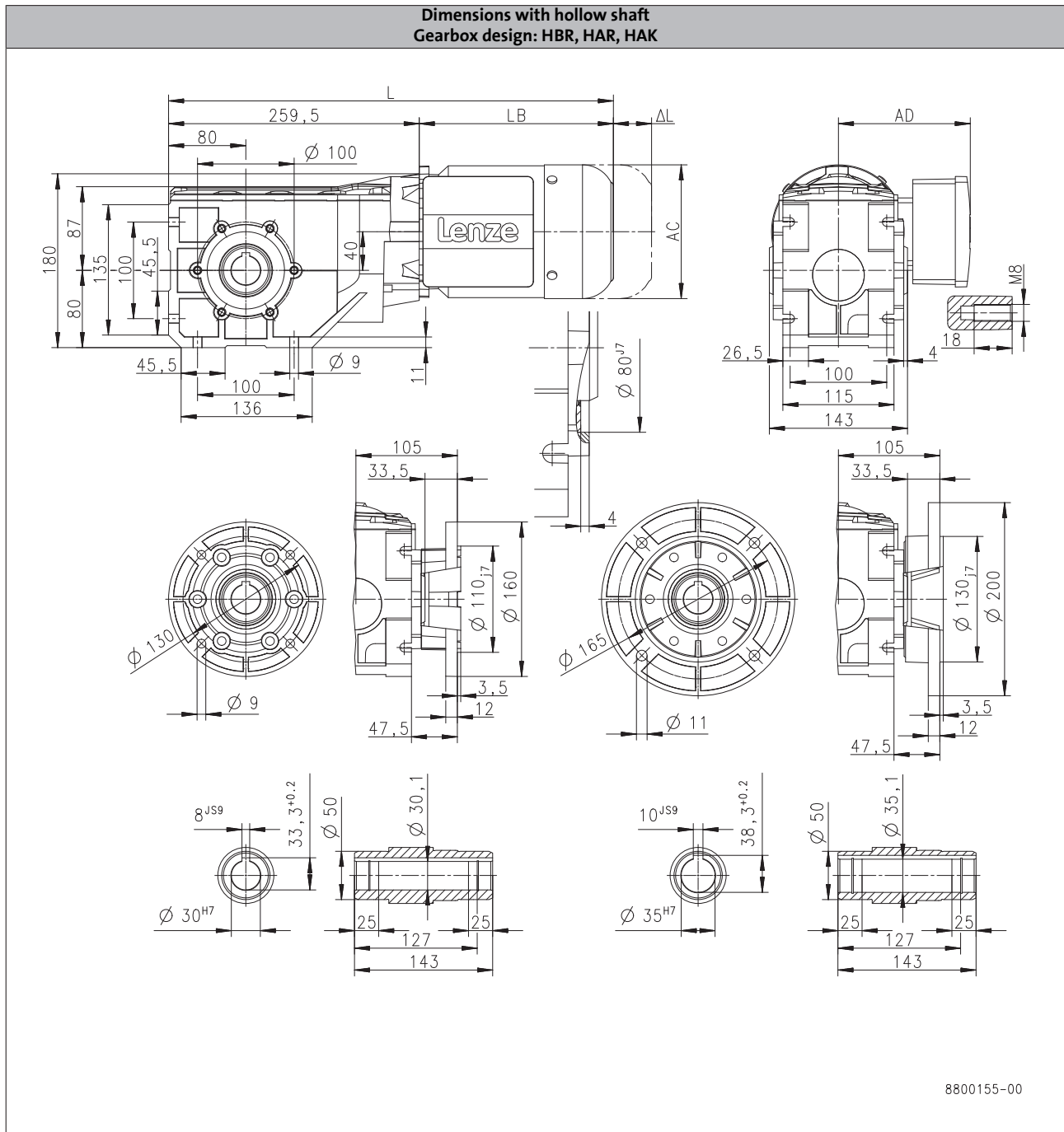
g500-B bevel geared motors

Technical data



Dimensions, 4-pole motors

g500-B240



6.5

		MD□MA□□				
		063-12	063-32	063-42	071-32	071-42
Total length	L [mm]		443			463
Motor length	LB [mm]		183			203
Length of motor options	Δ L [mm]		40.0			52.0
Motor diameter	AC [mm]		123			139
Distance motor/connection	AD [mm]		107			118

L = length of the motor without built-on accessories
 ΔL = additional length of the built-on accessories (with brake)

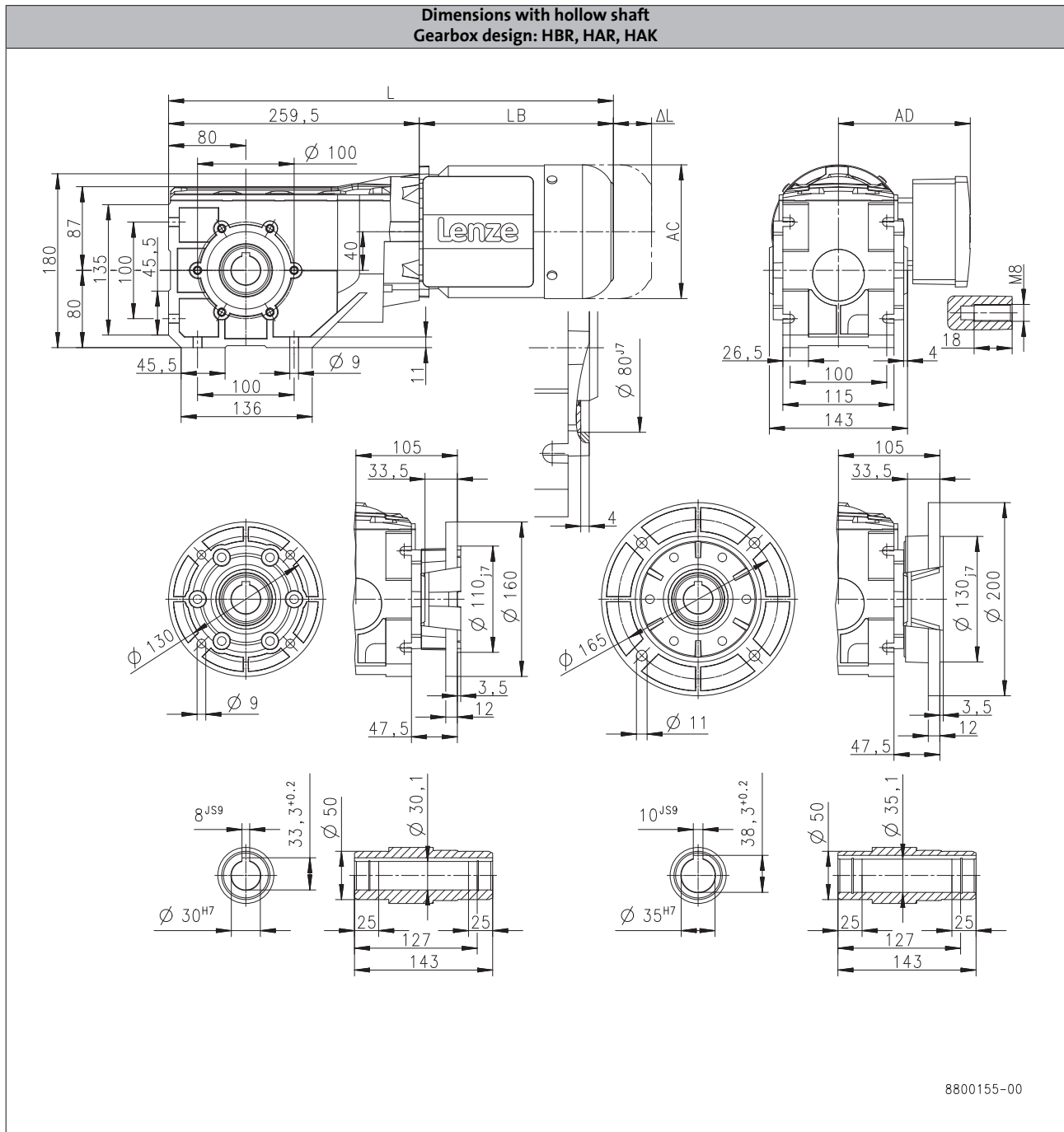
g500-B bevel geared motors

Technical data



Dimensions, 4-pole motors

g500-B240



			m240				
			-P80/M4	-P90/M4	-P90/L4	-P100/M4	-P100/L4
Total length	L	[mm]	485	554	616		
Motor length	LB	[mm]	225	294	356		
Length of motor options	Δ L	[mm]	107	92.0	103		
Motor diameter	AC	[mm]	158	172	192		
Distance motor/connection	AD	[mm]	148	155	164		

L = length of the motor without built-on accessories
 ΔL = additional length of the built-on accessories (with brake)

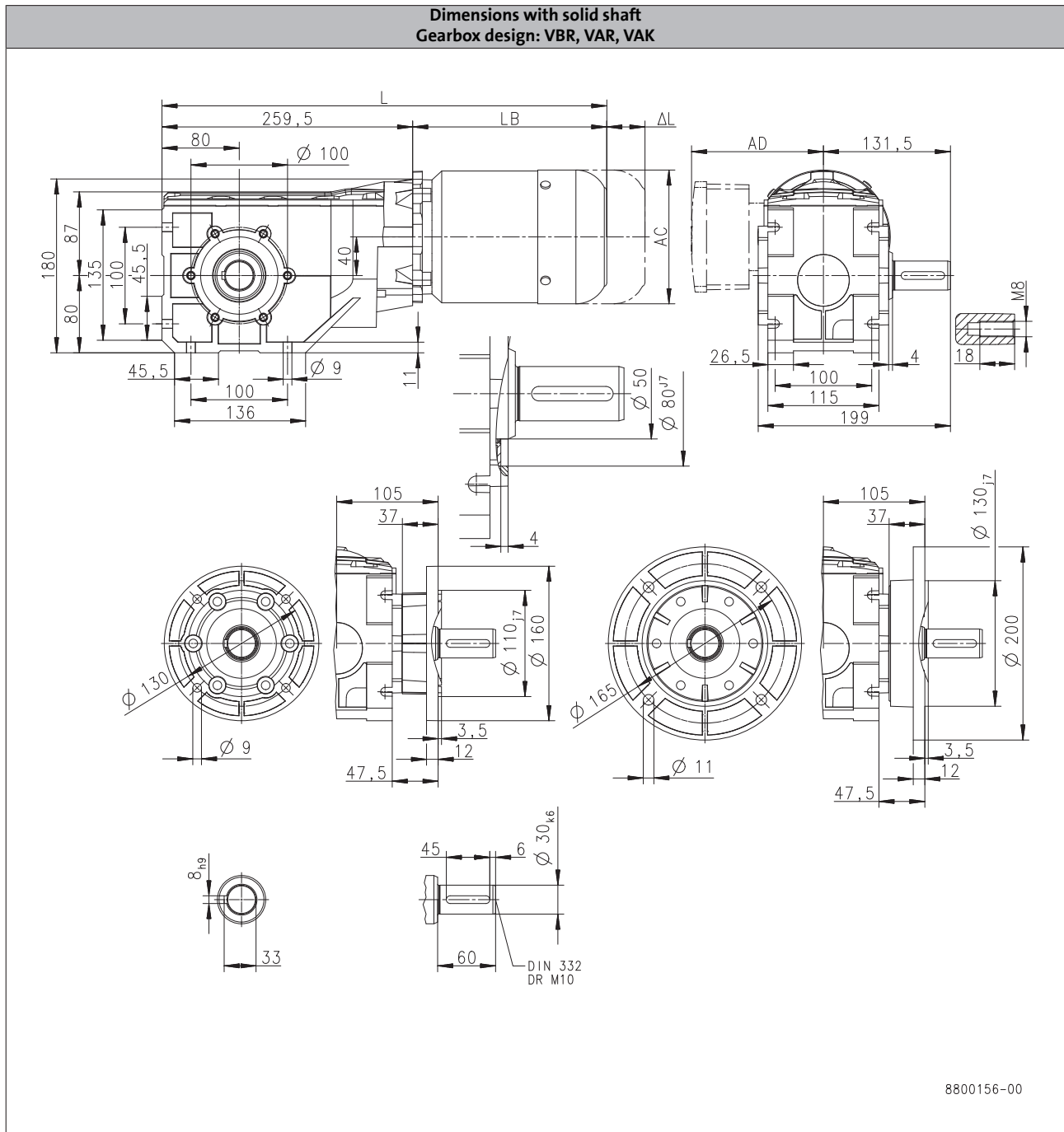
g500-B bevel geared motors

Technical data



Dimensions, 4-pole motors

g500-B240



6.5

		MD□MA□□				
		063-12	063-32	063-42	071-32	071-42
Total length	L [mm]		443			463
Motor length	LB [mm]		183			203
Length of motor options	Δ L [mm]		40.0			52.0
Motor diameter	AC [mm]		123			139
Distance motor/connection	AD [mm]		107			118

L = length of the motor without built-on accessories
 ΔL = additional length of the built-on accessories (with brake)

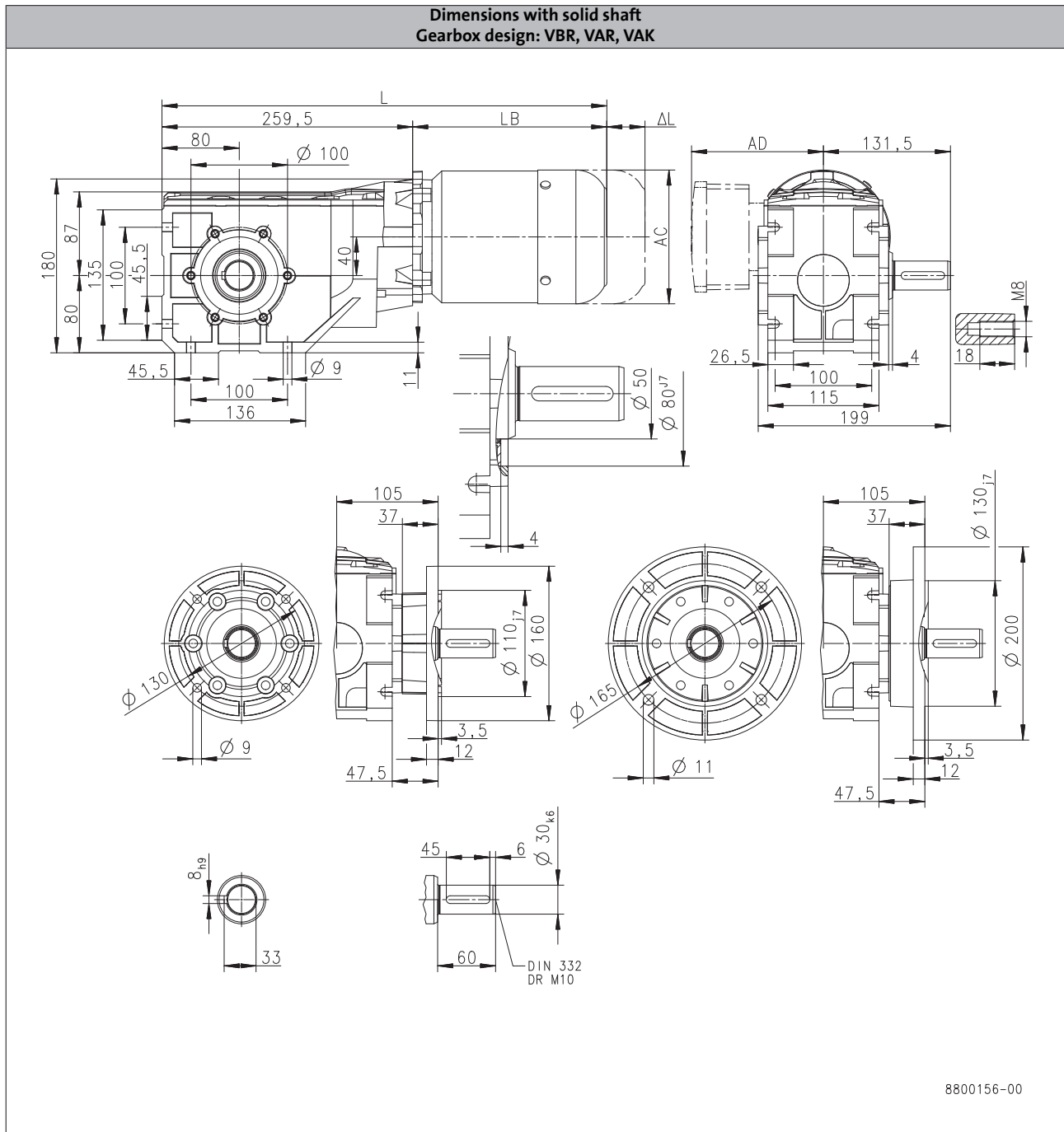
g500-B bevel geared motors

Technical data



Dimensions, 4-pole motors

g500-B240



		m240				
		-P80/M4	-P90/M4	-P90/L4	-P100/M4	-P100/L4
Total length	L [mm]	485	554		616	
Motor length	LB [mm]	225	294		356	
Length of motor options	Δ L [mm]	107	92.0		103	
Motor diameter	AC [mm]	158	172		192	
Distance motor/connection	AD [mm]	148	155		164	

L = length of the motor without built-on accessories
 ΔL = additional length of the built-on accessories (with brake)

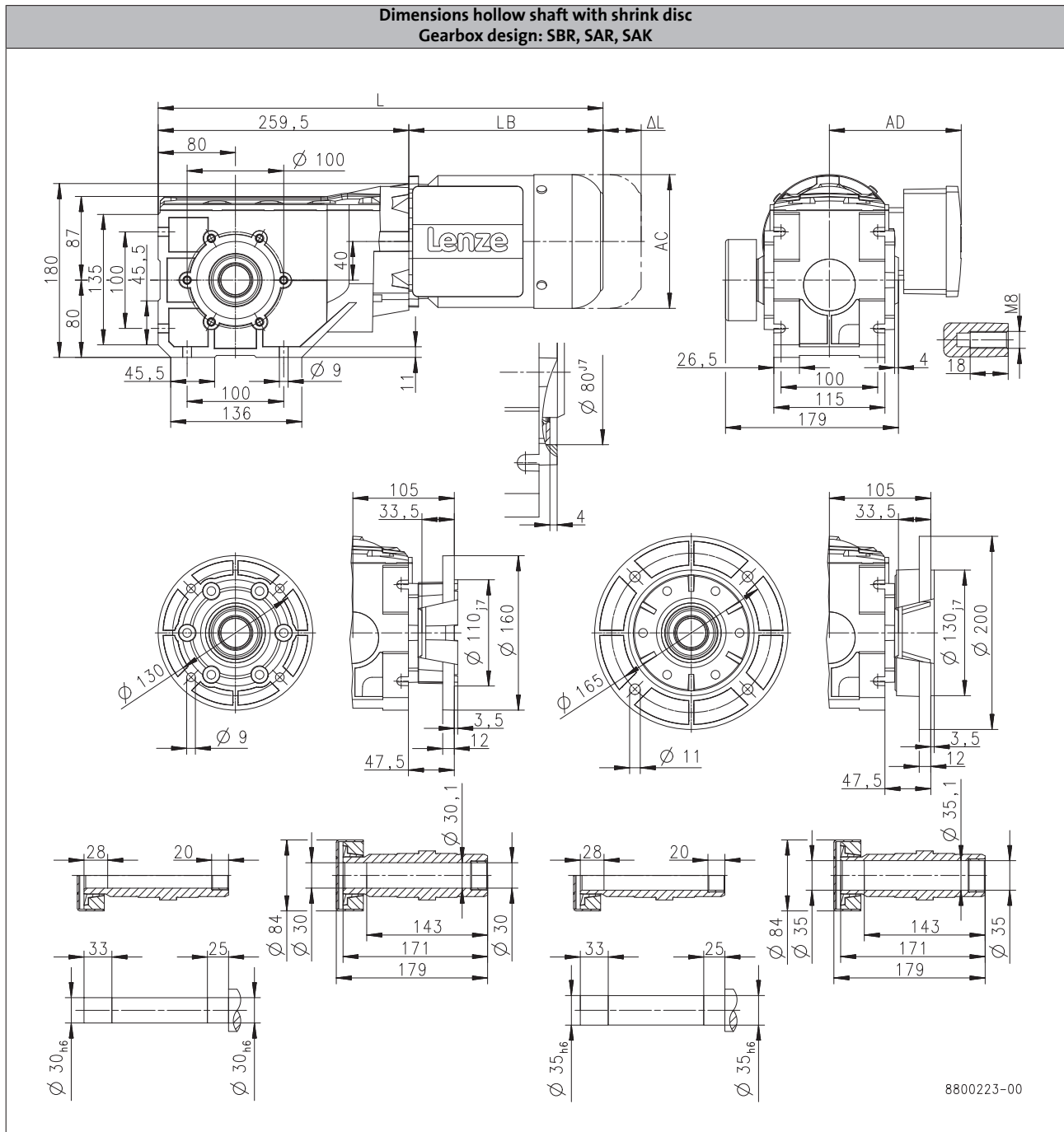
g500-B bevel geared motors

Technical data



Dimensions, 4-pole motors

g500-B240



		MD□MA□□				
		063-12	063-32	063-42	071-32	071-42
Total length	L [mm]		443			463
Motor length	LB [mm]		183			203
Length of motor options	Δ L [mm]		40.0			52.0
Motor diameter	AC [mm]		123			139
Distance motor/connection	AD [mm]		107			118

L = length of the motor without built-on accessories
 ΔL = additional length of the built-on accessories (with brake)

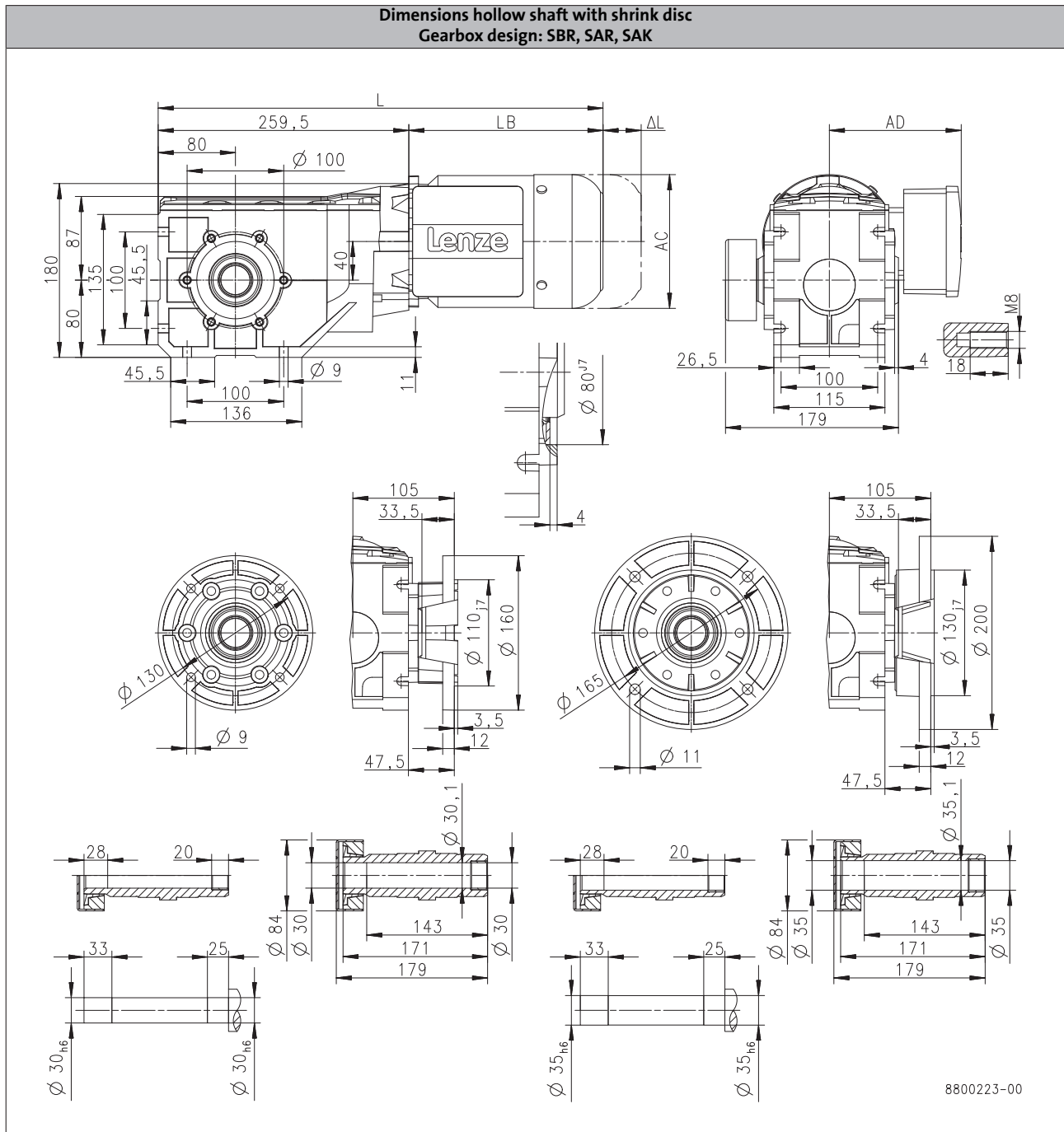
g500-B bevel geared motors



Technical data

Dimensions, 4-pole motors

g500-B240



		m240				
		-P80/M4	-P90/M4	-P90/L4	-P100/M4	-P100/L4
Total length	L [mm]	485	554		616	
Motor length	LB [mm]	225	294		356	
Length of motor options	ΔL [mm]	107	92.0		103	
Motor diameter	AC [mm]	158	172		192	
Distance motor/connection	AD [mm]	148	155		164	

L = length of the motor without built-on accessories
 ΔL = additional length of the built-on accessories (with brake)

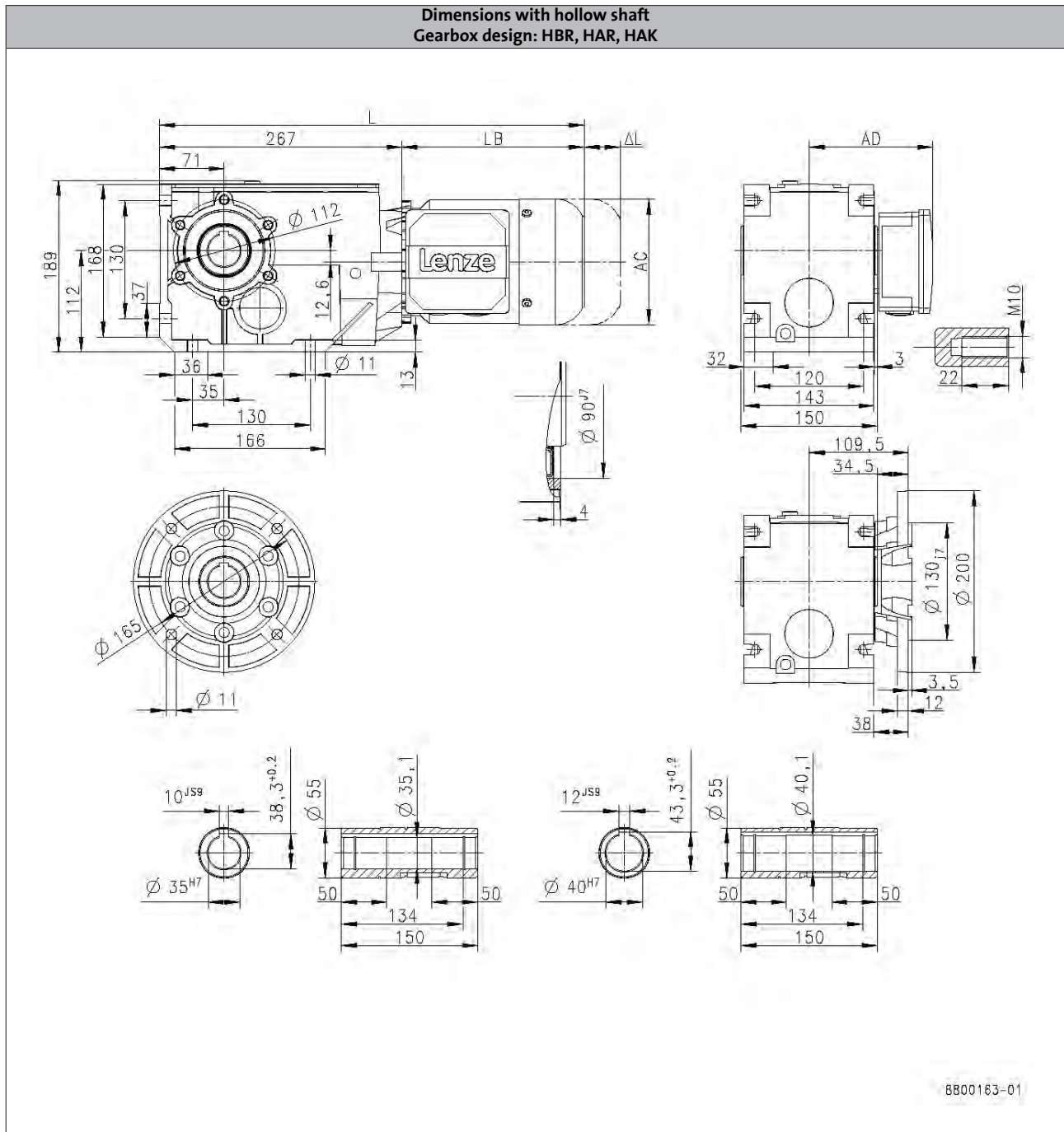
g500-B bevel geared motors

Technical data



Dimensions, 4-pole motors

g500-B450



6.5

		MD□MA□□				
		063-12	063-32	063-42	071-32	071-42
Total length	L [mm]		450			470
Motor length	LB [mm]		183			203
Length of motor options	Δ L [mm]		40.0			52.0
Motor diameter	AC [mm]		123			139
Distance motor/connection	AD [mm]		107			118

L = length of the motor without built-on accessories
 ΔL = additional length of the built-on accessories (with brake)

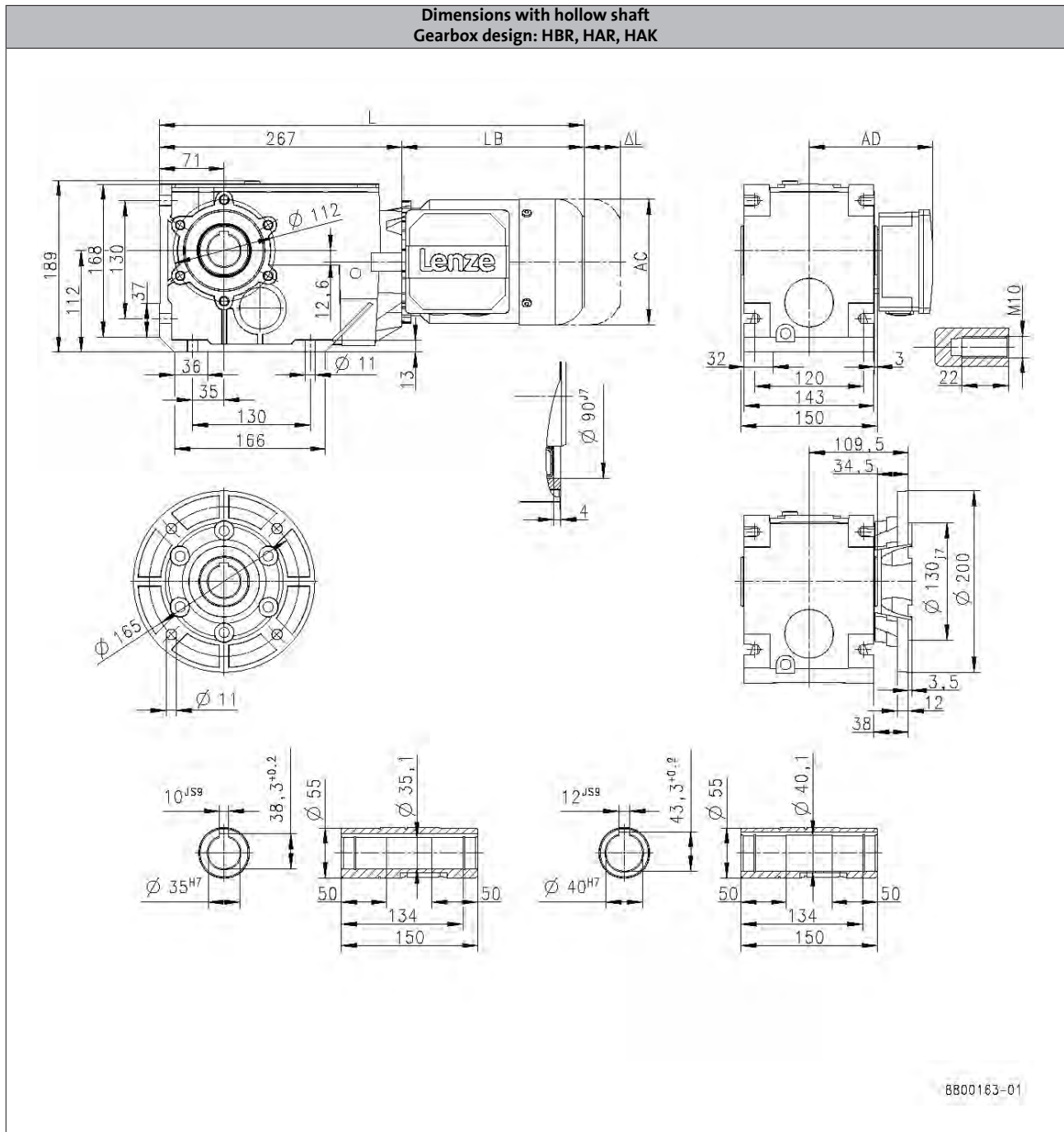
g500-B bevel geared motors

Technical data



Dimensions, 4-pole motors

g500-B450



			m240							
			-P80/M4	-P90/M4	-P90/L4	-P100/M4	-P100/L4	-P112/M4	-P132/M4	-P132/L4
Total length	L	[mm]	492	561		623		610		685
Motor length	LB	[mm]	225	294		356		343		418
Length of motor options	Δ L	[mm]	107	92.0		103		111		118
Motor diameter	AC	[mm]	158	172		192		210		281
Distance motor/connection	AD	[mm]	148	155		164		171		182

L = length of the motor without built-on accessories
 ΔL = additional length of the built-on accessories (with brake)

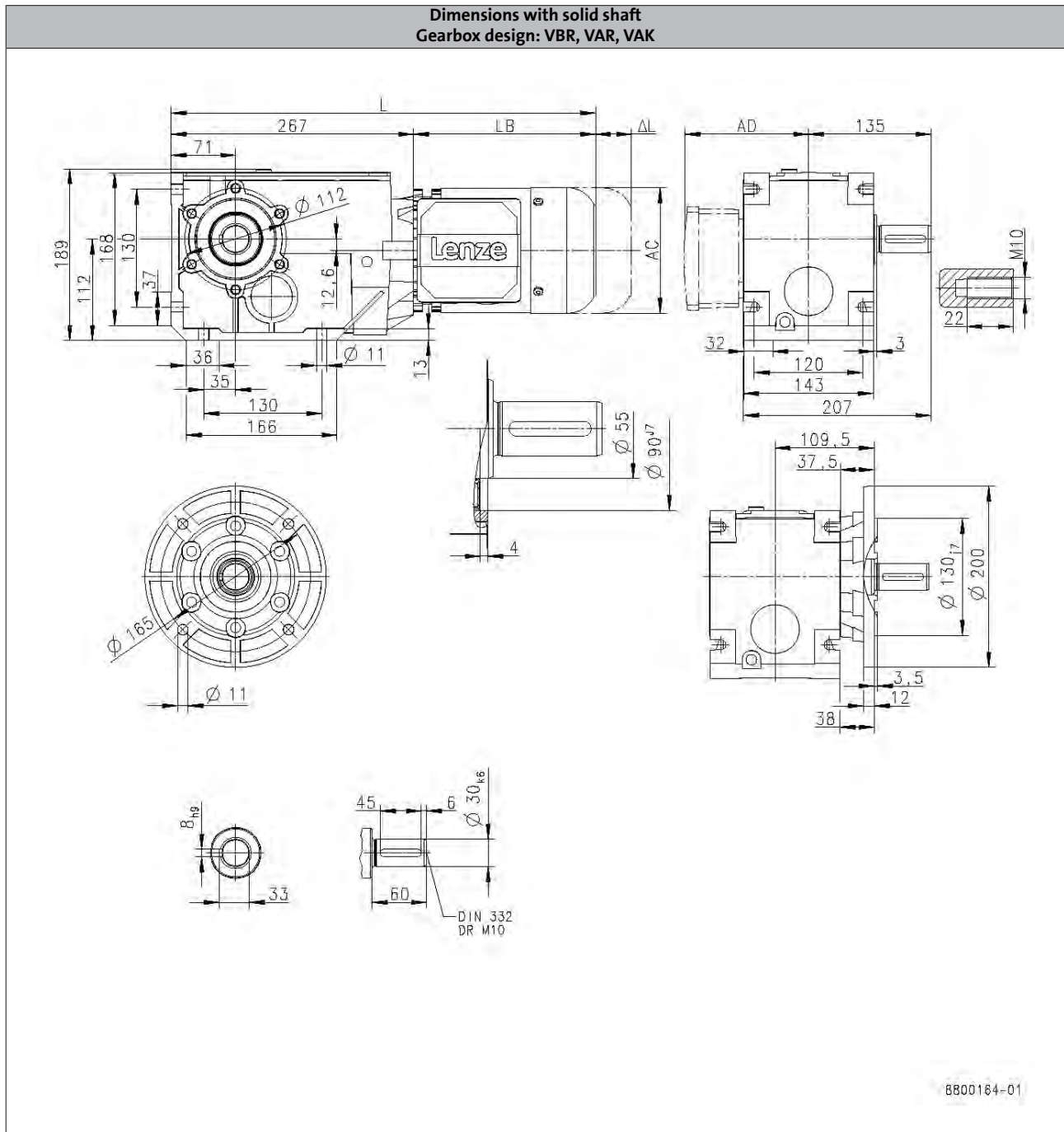
g500-B bevel geared motors

Technical data



Dimensions, 4-pole motors

g500-B450



6.5

L = length of the motor without built-on accessories
 ΔL = additional length of the built-on accessories (with brake)

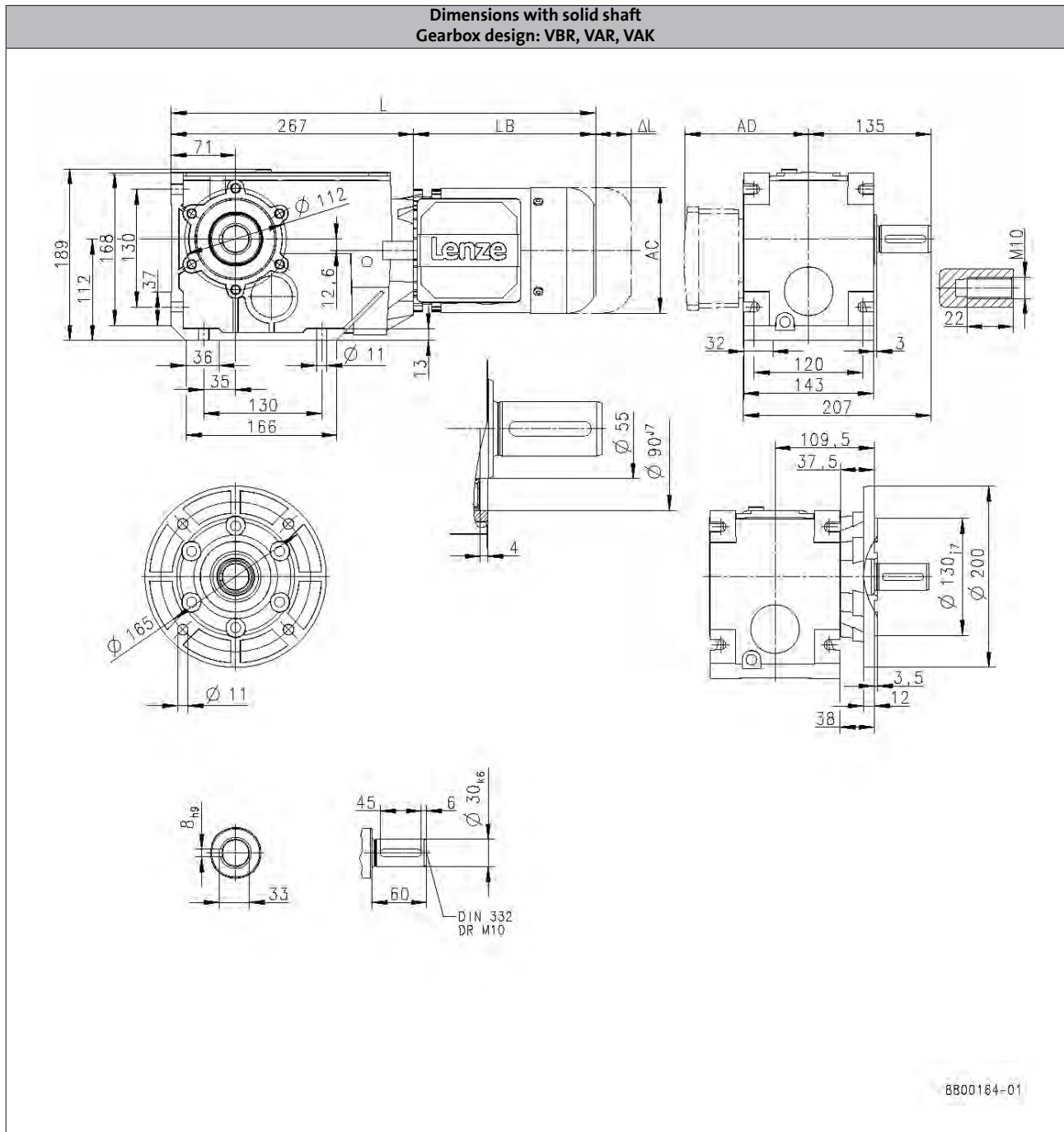
g500-B bevel geared motors

Technical data



Dimensions, 4-pole motors

g500-B450



		m240							
		-P80/M4	-P90/M4	-P90/L4	-P100/M4	-P100/L4	-P112/M4	-P132/M4	-P132/L4
Total length	L [mm]	492	561		623		610		685
Motor length	LB [mm]	225	294		356		343		418
Length of motor options	Δ L [mm]	107	92.0		103		111		118
Motor diameter	AC [mm]	158	172		192		210		281
Distance motor/connection	AD [mm]	148	155		164		171		182

L = length of the motor without built-on accessories
 ΔL = additional length of the built-on accessories (with brake)

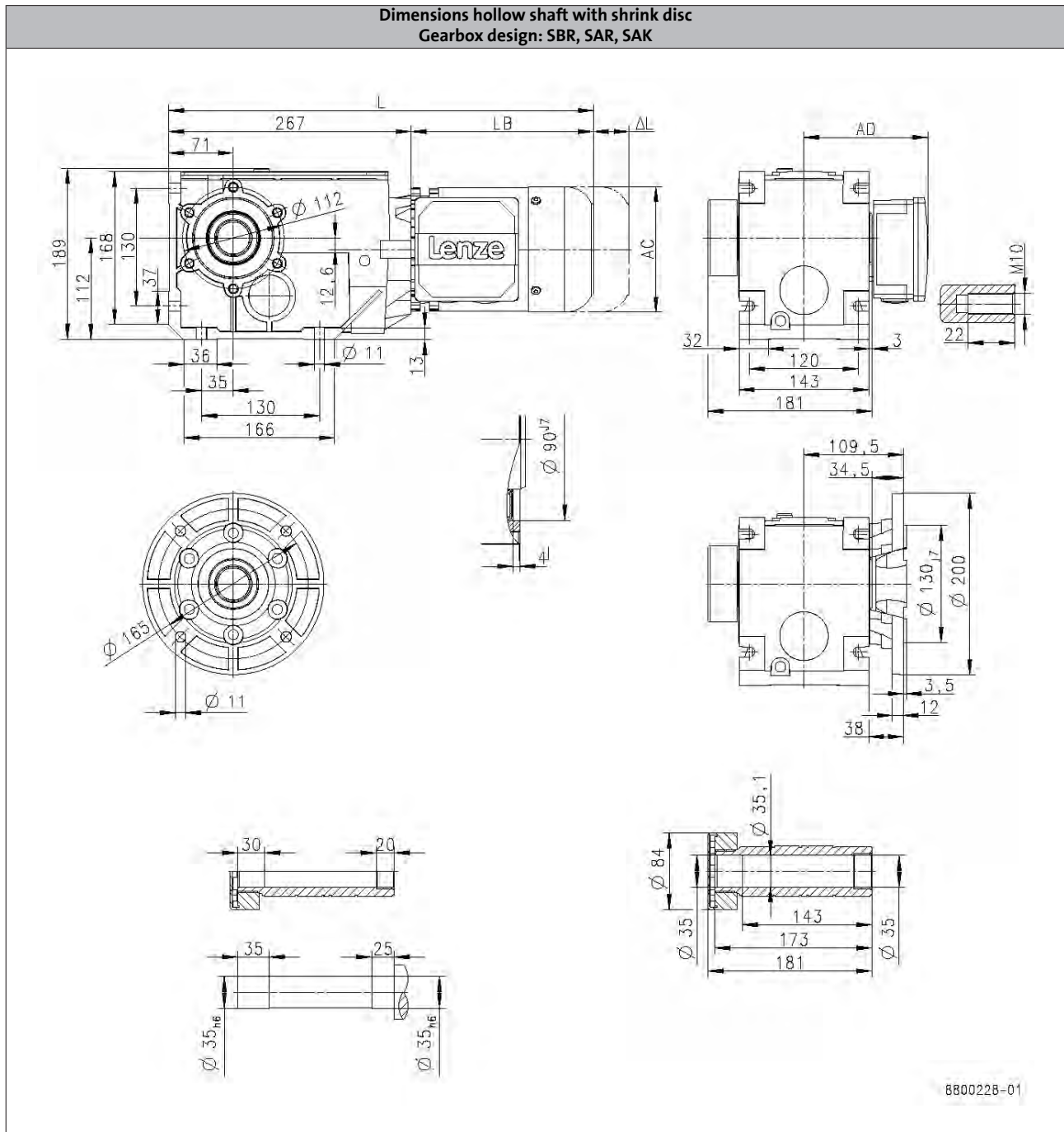
g500-B bevel geared motors

Technical data



Dimensions, 4-pole motors

g500-B450



6.5

		MD□MA□□				
		063-12	063-32	063-42	071-32	071-42
Total length	L [mm]		450			470
Motor length	LB [mm]		183			203
Length of motor options	Δ L [mm]		40.0			52.0
Motor diameter	AC [mm]		123			139
Distance motor/connection	AD [mm]		107			118

L = length of the motor without built-on accessories
 ΔL = additional length of the built-on accessories (with brake)

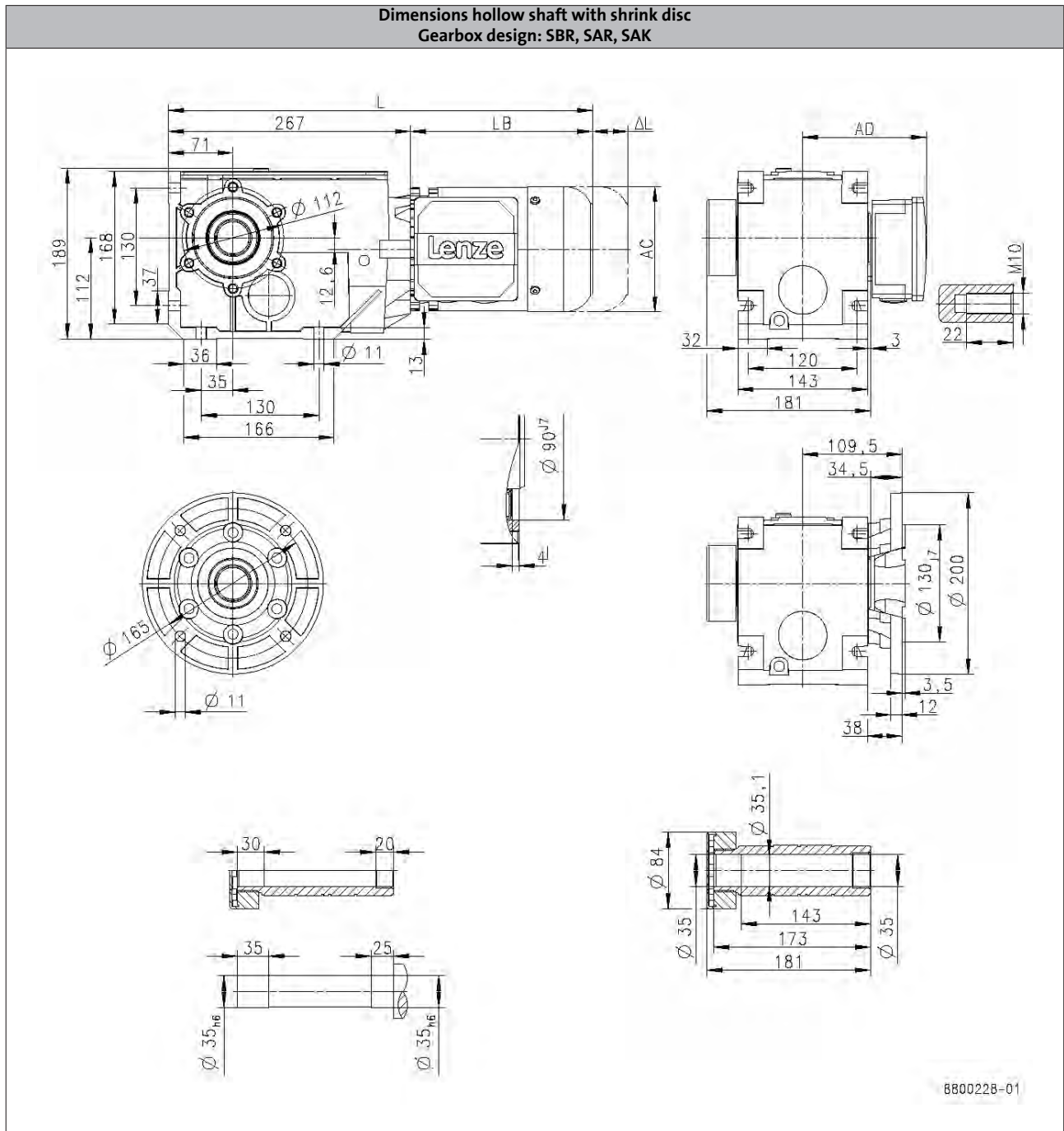
g500-B bevel geared motors

Technical data



Dimensions, 4-pole motors

g500-B450



		m240							
		-P80/M4	-P90/M4	-P90/L4	-P100/M4	-P100/L4	-P112/M4	-P132/M4	-P132/L4
Total length	L [mm]	492	561		623		610		685
Motor length	LB [mm]	225	294		356		343		418
Length of motor options	Δ L [mm]	107	92.0		103		111		118
Motor diameter	AC [mm]	158	172		192		210		281
Distance motor/connection	AD [mm]	148	155		164		171		182

L = length of the motor without built-on accessories
 ΔL = additional length of the built-on accessories (with brake)

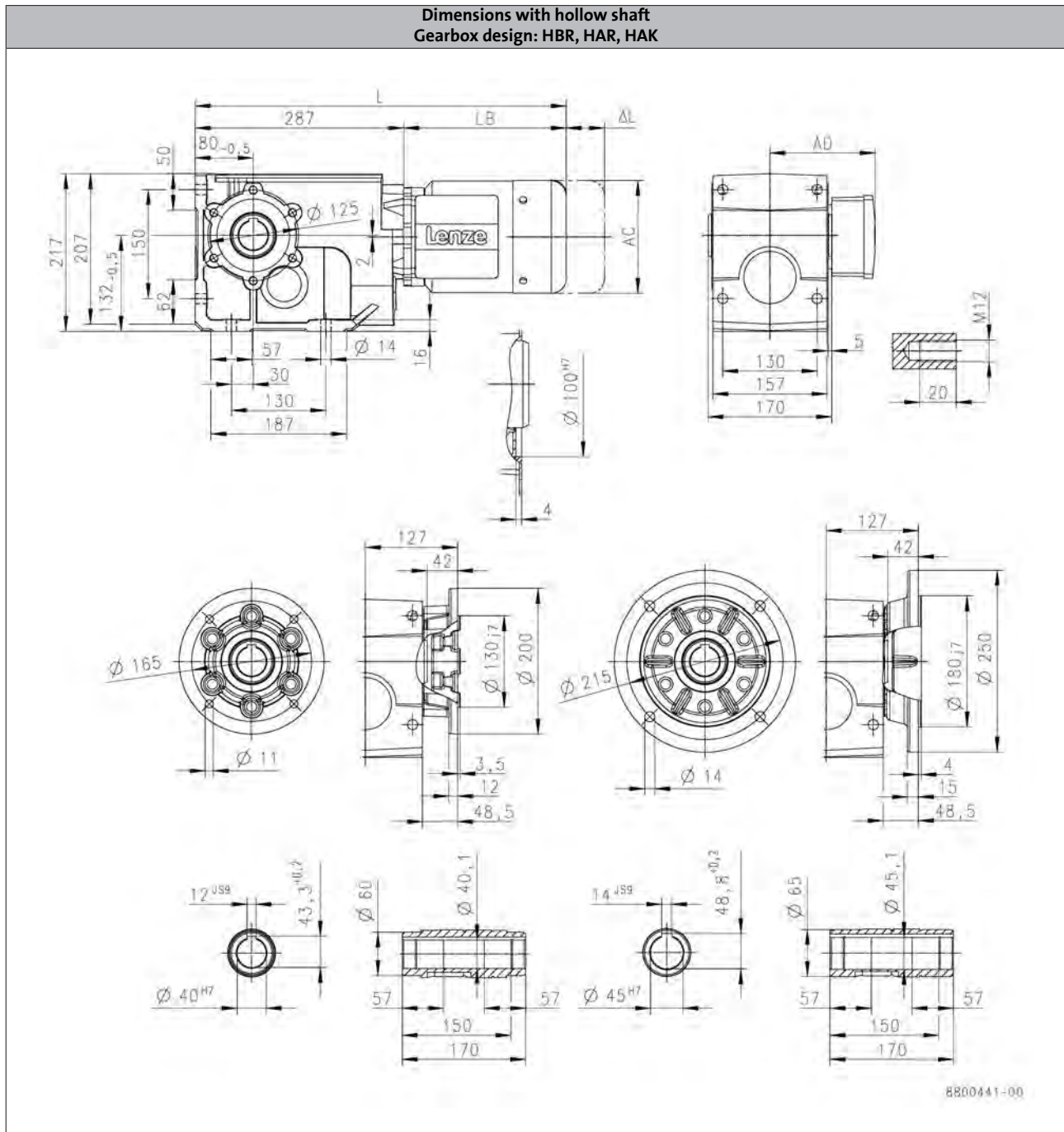
g500-B bevel geared motors

Technical data



Dimensions, 4-pole motors

g500-B600



6.5

			MD□MA□□		
			063-42	071-32	071-42
Total length	L	[mm]	470		490
Motor length	LB	[mm]	183		203
Length of motor options	Δ L	[mm]	40.0		52.0
Motor diameter	AC	[mm]	123		139
Distance motor/connection	AD	[mm]	107		118

L = length of the motor without built-on accessories
 ΔL = additional length of the built-on accessories (longest type)

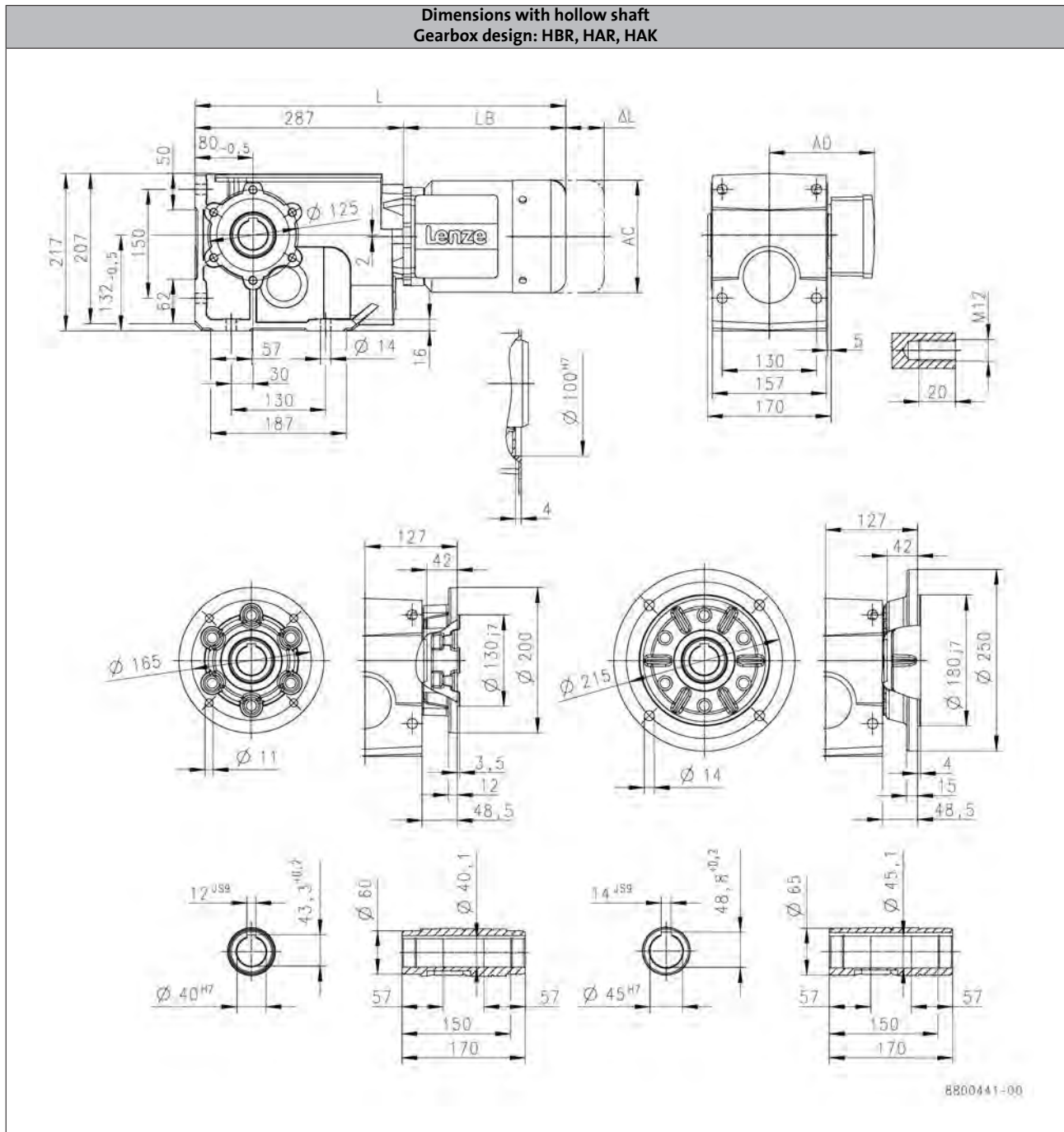
g500-B bevel geared motors

Technical data



Dimensions, 4-pole motors

g500-B600



		m240							
		-P80/M4	-P90/M4	-P90/L4	-P100/M4	-P100/L4	-P112/M4	-P132/M4	-P132/L4
Total length	L [mm]	512	581		643		630		705
Motor length	LB [mm]	225	294		356		343		418
Length of motor options	Δ L [mm]	107	92.0		103		111		118
Motor diameter	AC [mm]	158	172		192		210		281
Distance motor/connection	AD [mm]	148	155		164		171		182

L = length of the motor without built-on accessories
 ΔL = additional length of the built-on accessories (with brake)

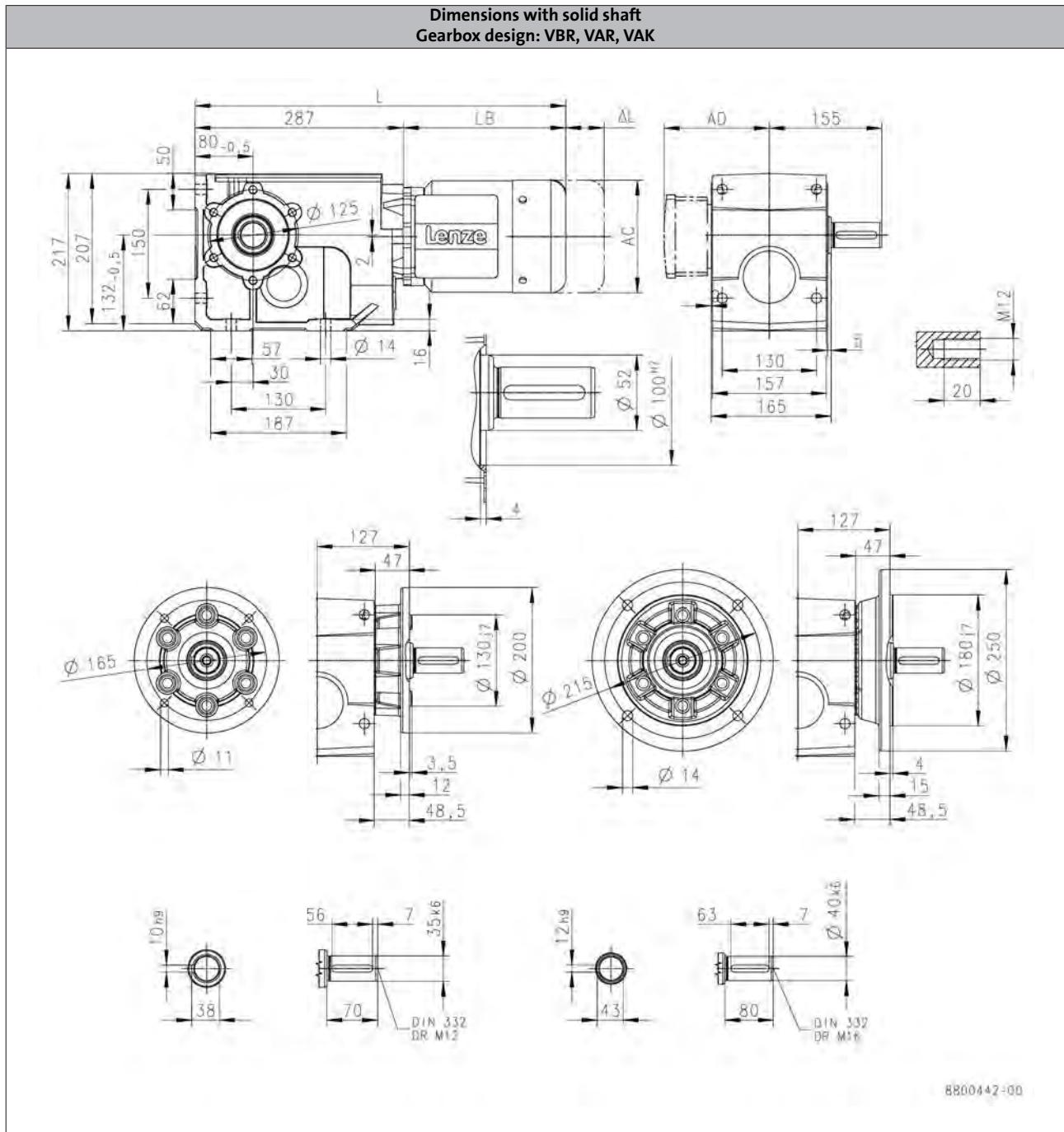
g500-B bevel geared motors

Technical data



Dimensions, 4-pole motors

g500-B600



		MD□MA□□		
		063-42	071-32	071-42
Total length	L [mm]	470		490
Motor length	LB [mm]	183		203
Length of motor options	Δ L [mm]	40.0		52.0
Motor diameter	AC [mm]	123		139
Distance motor/connection	AD [mm]	107		118

L = length of the motor without built-on accessories
 ΔL = additional length of the built-on accessories (with brake)

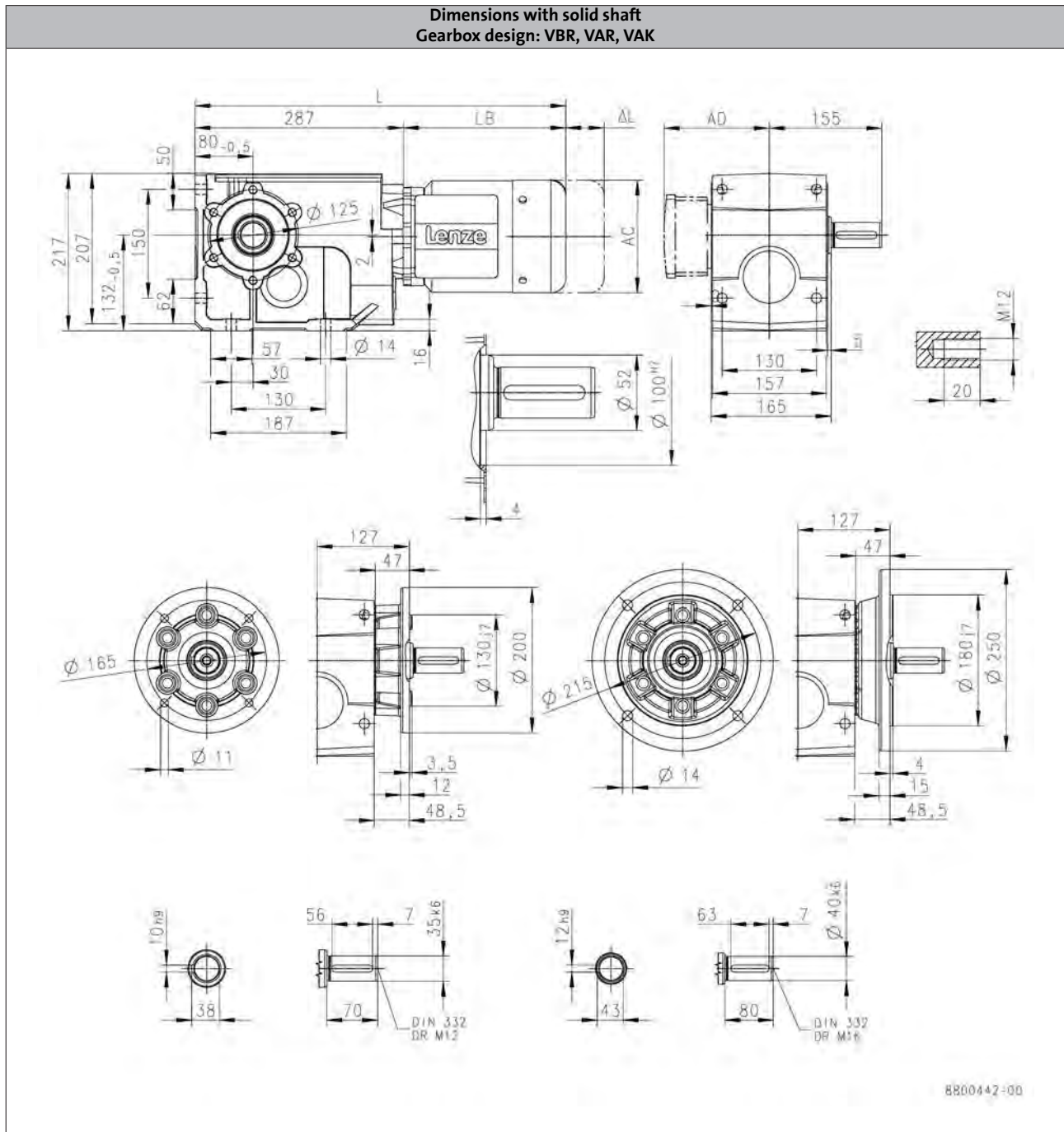
g500-B bevel geared motors

Technical data



Dimensions, 4-pole motors

g500-B600



		m240							
		-P80/M4	-P90/M4	-P90/L4	-P100/M4	-P100/L4	-P112/M4	-P132/M4	-P132/L4
Total length	L [mm]	512	581		643		630		705
Motor length	LB [mm]	225	294		356		343		418
Length of motor options	Δ L [mm]	107	92.0		103		111		118
Motor diameter	AC [mm]	158	172		192		210		281
Distance motor/connection	AD [mm]	148	155		164		171		182

L = length of the motor without built-on accessories
 ΔL = additional length of the built-on accessories (with brake)

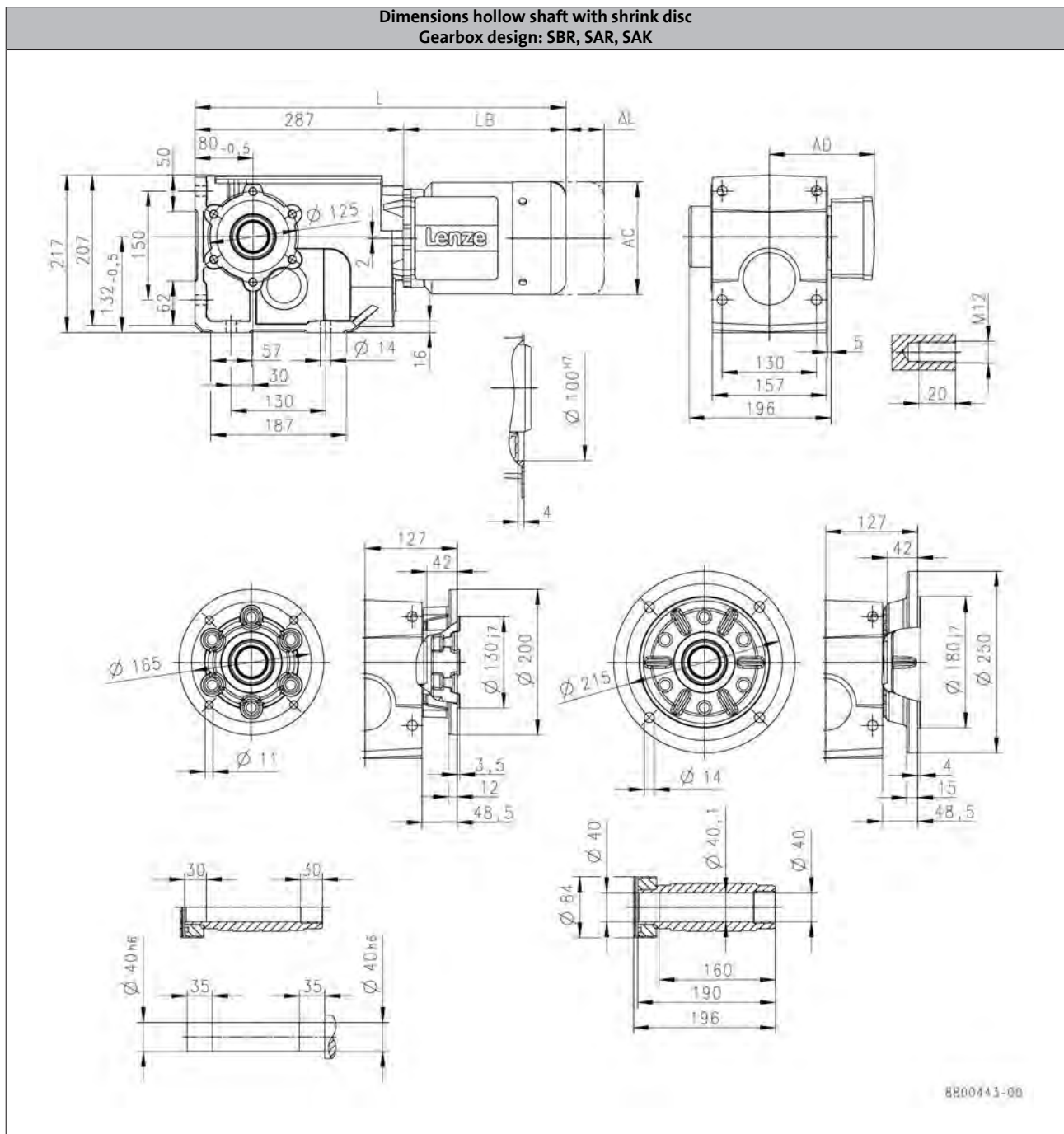
g500-B bevel geared motors

Technical data



Dimensions, 4-pole motors

g500-B600



			MD□MA□□		
			063-42	071-32	071-42
Total length	L	[mm]	470		490
Motor length	LB	[mm]	183		203
Length of motor options	Δ L	[mm]	40.0		52.0
Motor diameter	AC	[mm]	123		139
Distance motor/connection	AD	[mm]	107		118

L = length of the motor without built-on accessories
 ΔL = additional length of the built-on accessories (with brake)

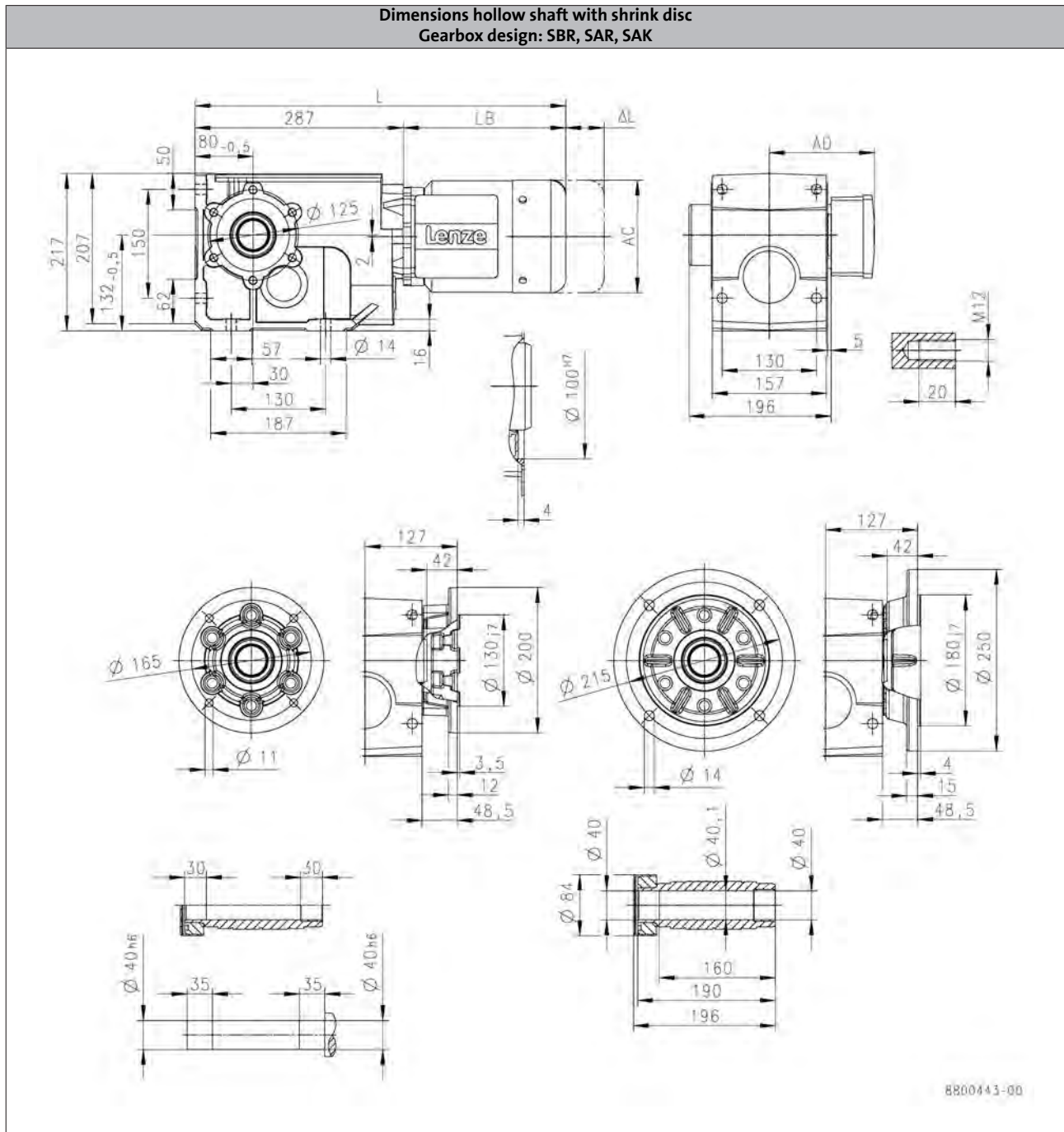
g500-B bevel geared motors

Technical data



Dimensions, 4-pole motors

g500-B600



			m240							
			-P80/M4	-P90/M4	-P90/L4	-P100/M4	-P100/L4	-P112/M4	-P132/M4	-P132/L4
Total length	L	[mm]	512	581		643		630		705
Motor length	LB	[mm]	225	294		356		343		418
Length of motor options	Δ L	[mm]	107	92.0		103		111		118
Motor diameter	AC	[mm]	158	172		192		210		281
Distance motor/connection	AD	[mm]	148	155		164		171		182

L = length of the motor without built-on accessories
 ΔL = additional length of the built-on accessories (with brake)

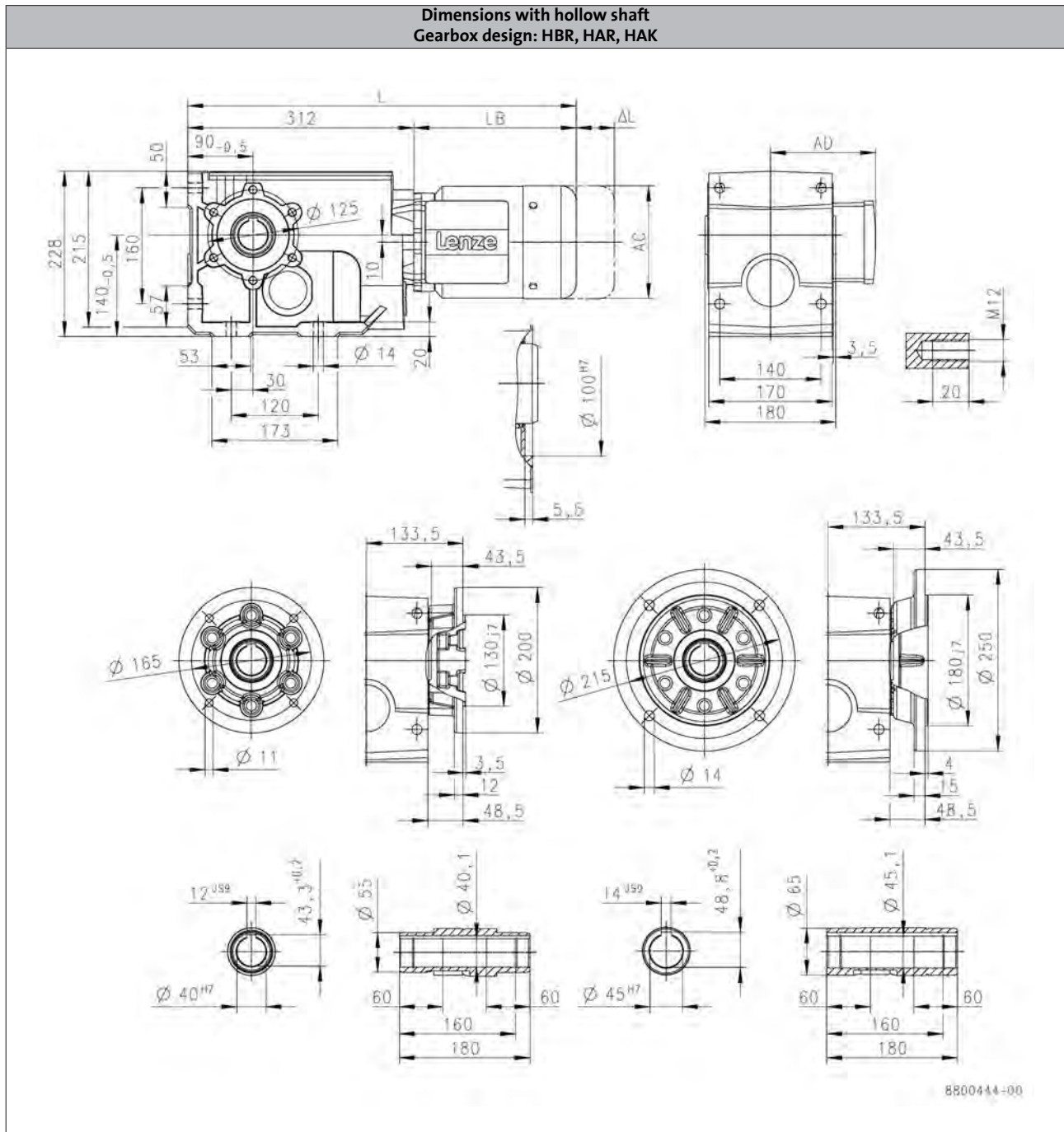
g500-B bevel geared motors

Technical data



Dimensions, 4-pole motors

g500-B820



			MD□MA□□		
			063-42	071-32	071-42
Total length	L	[mm]	495		515
Motor length	LB	[mm]	183		203
Length of motor options	Δ L	[mm]	40.0		52.0
Motor diameter	AC	[mm]	123		139
Distance motor/connection	AD	[mm]	107		118

L = length of the motor without built-on accessories
 ΔL = additional length of the built-on accessories (with brake)

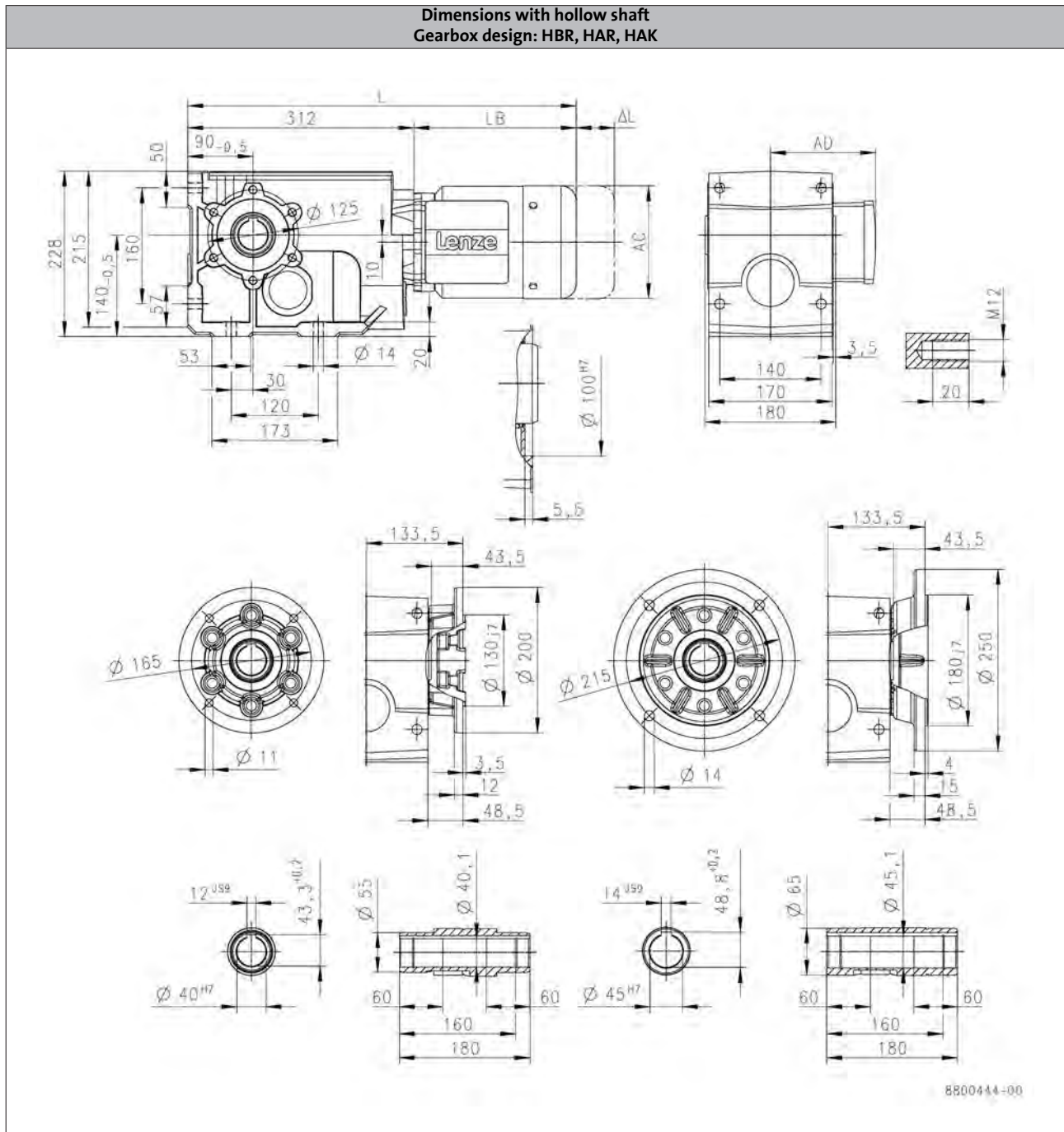
g500-B bevel geared motors

Technical data



Dimensions, 4-pole motors

g500-B820



		m240							
		-P80/M4	-P90/M4	-P90/L4	-P100/M4	-P100/L4	-P112/M4	-P132/M4	-P132/L4
Total length	L [mm]	537	606		668		655		730
Motor length	LB [mm]	225	294		356		343		418
Length of motor options	Δ L [mm]	107	92.0		103		111		118
Motor diameter	AC [mm]	158	172		192		210		281
Distance motor/connection	AD [mm]	148	155		164		171		182

L = length of the motor without built-on accessories
 ΔL = additional length of the built-on accessories (with brake)

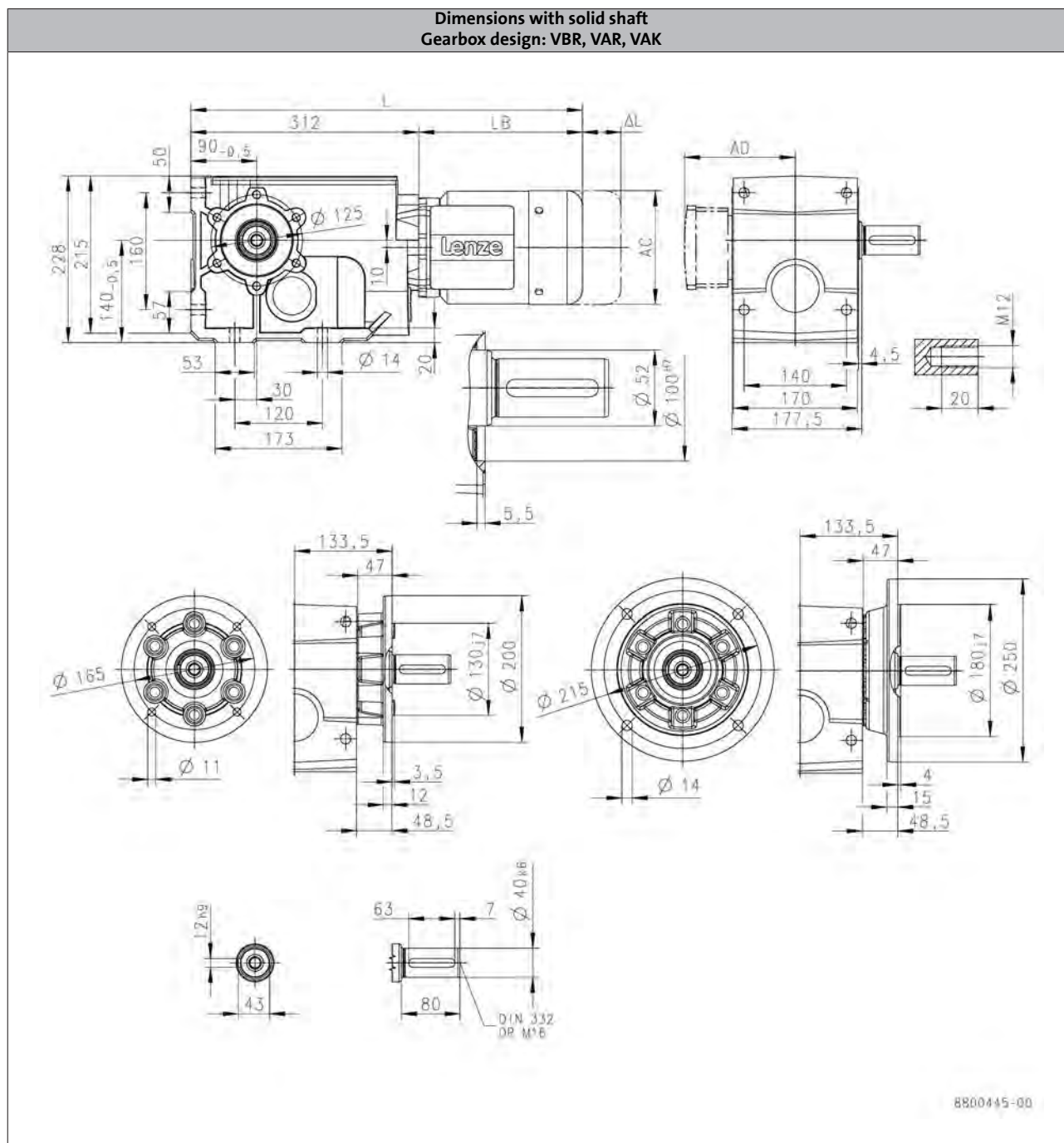
g500-B bevel geared motors

Technical data



Dimensions, 4-pole motors

g500-B820



6.5

			MD□MA□□	
			063-42	071-32
				071-42
Total length	L	[mm]	495	515
Motor length	LB	[mm]	183	203
Length of motor options	Δ L	[mm]	40.0	52.0
Motor diameter	AC	[mm]	123	139
Distance motor/connection	AD	[mm]	107	118

L = length of the motor without built-on accessories
 ΔL = additional length of the built-on accessories (with brake)

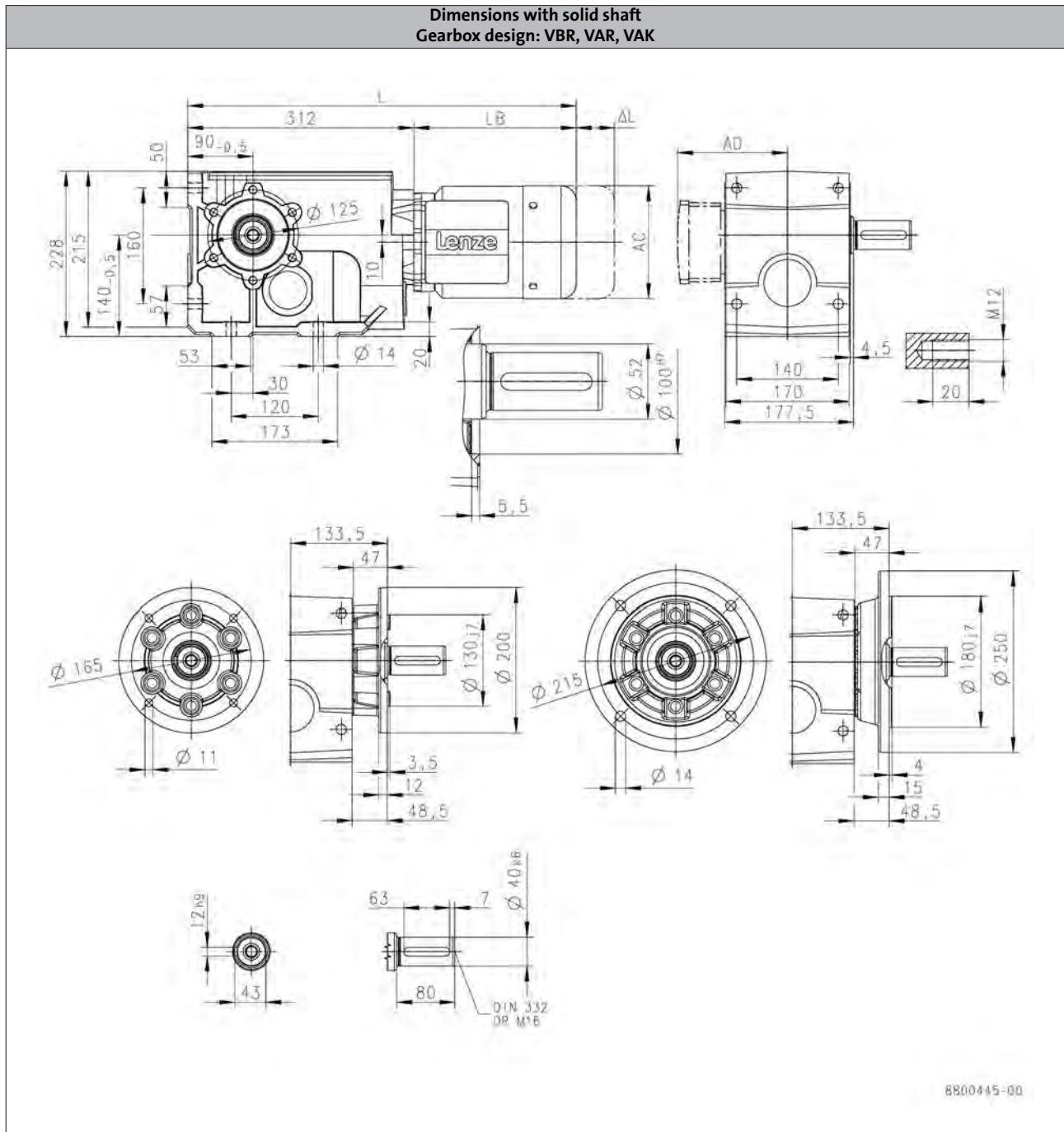
g500-B bevel geared motors

Technical data



Dimensions, 4-pole motors

g500-B820



		m240							
		-P80/M4	-P90/M4	-P90/L4	-P100/M4	-P100/L4	-P112/M4	-P132/M4	-P132/L4
Total length	L [mm]	537	606		668		655		730
Motor length	LB [mm]	225	294		356		343		418
Length of motor options	Δ L [mm]	107	92.0		103		111		118
Motor diameter	AC [mm]	158	172		192		210		281
Distance motor/connection	AD [mm]	148	155		164		171		182

L = length of the motor without built-on accessories
 ΔL = additional length of the built-on accessories (with brake)

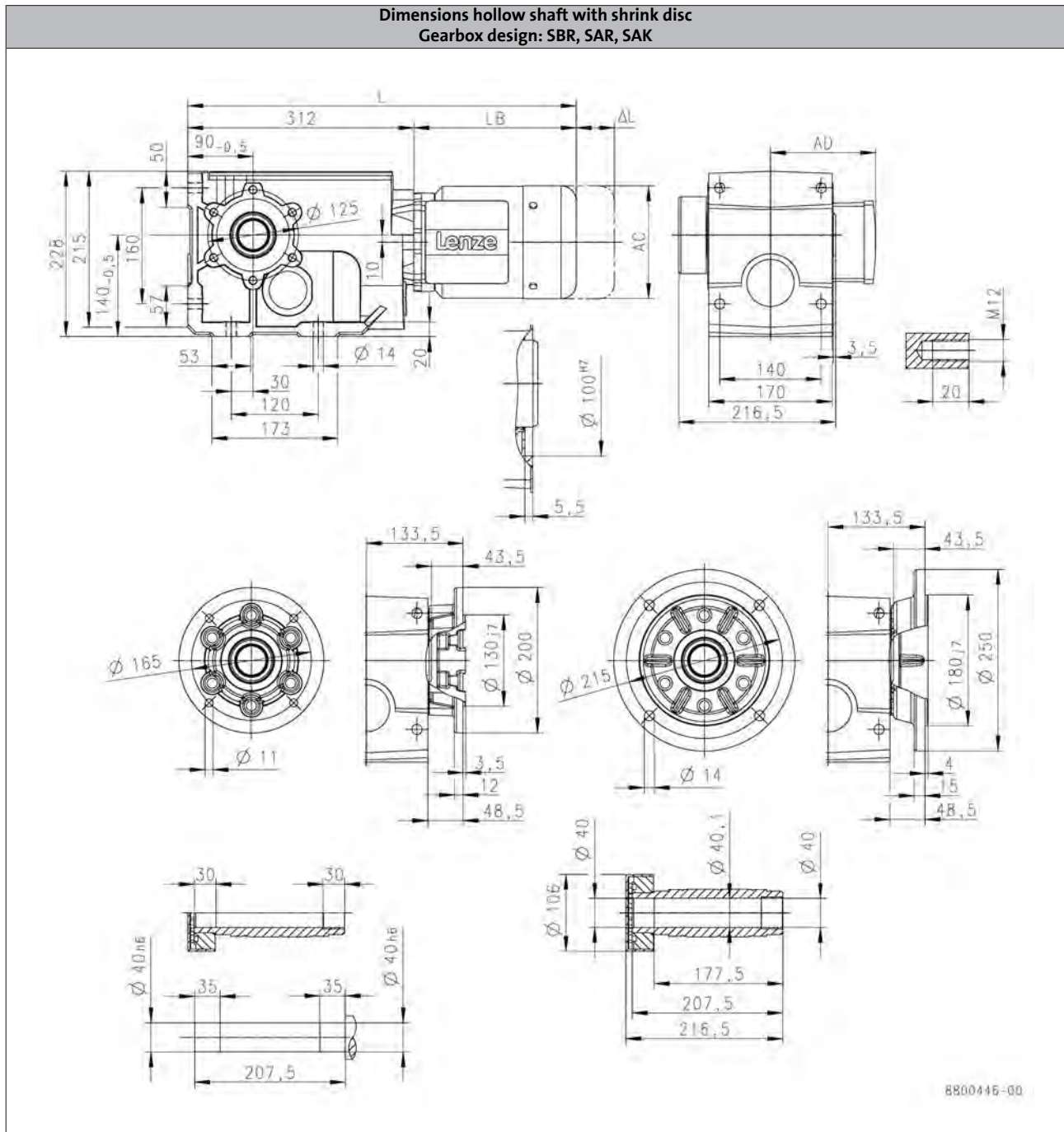
g500-B bevel geared motors

Technical data



Dimensions, 4-pole motors

g500-B820



		MD□MA□□		
		063-42	071-32	071-42
Total length	L [mm]	495		515
Motor length	LB [mm]	183		203
Length of motor options	Δ L [mm]	40.0		52.0
Motor diameter	AC [mm]	123		139
Distance motor/connection	AD [mm]	107		118

L = length of the motor without built-on accessories
 ΔL = additional length of the built-on accessories (with brake)

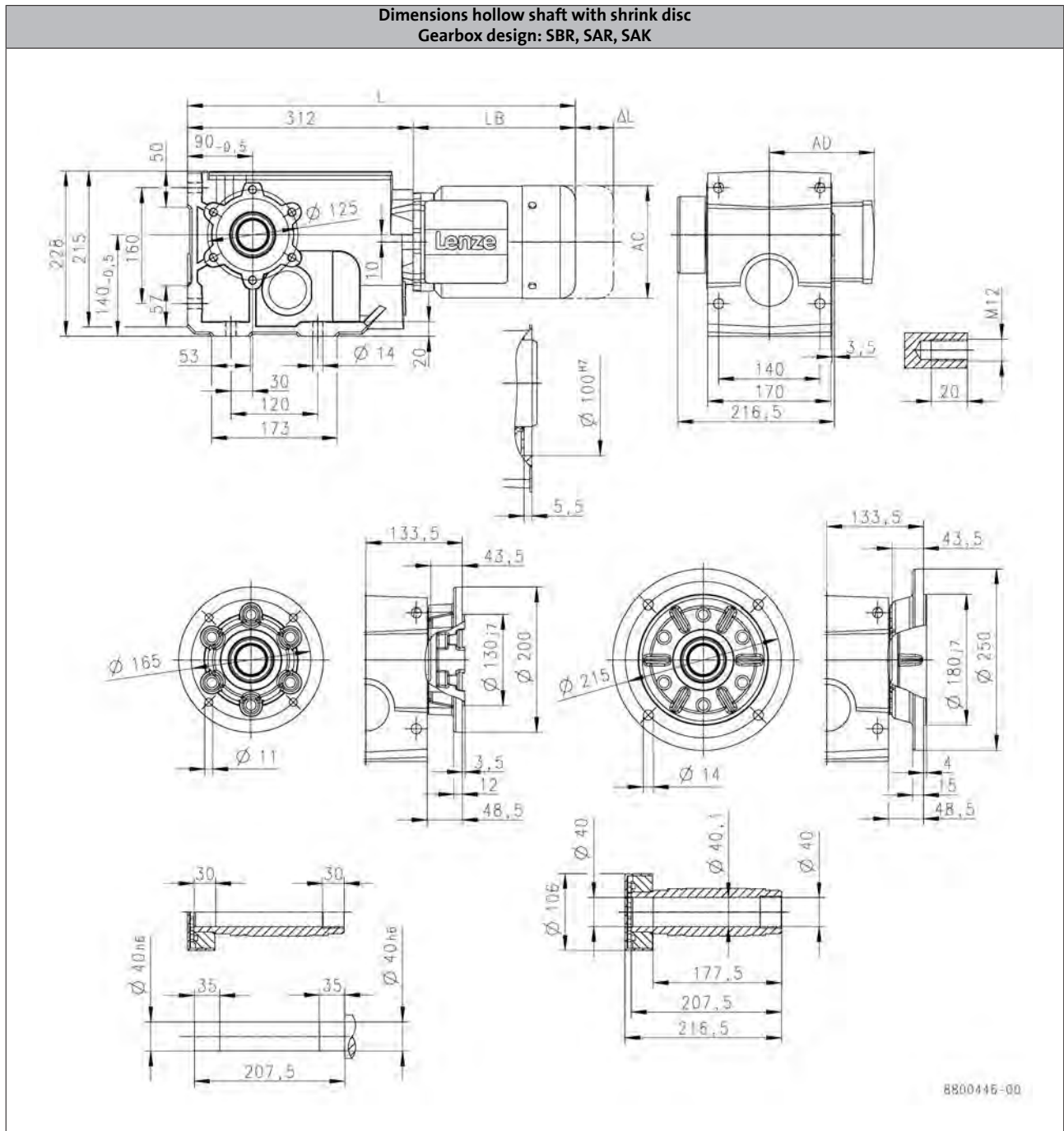
g500-B bevel geared motors

Technical data



Dimensions, 4-pole motors

g500-B820



		m240							
		-P80/M4	-P90/M4	-P90/L4	-P100/M4	-P100/L4	-P112/M4	-P132/M4	-P132/L4
Total length	L [mm]	537	606		668		655		730
Motor length	LB [mm]	225	294		356		343		418
Length of motor options	Δ L [mm]	107	92.0		103		111		118
Motor diameter	AC [mm]	158	172		192		210		281
Distance motor/connection	AD [mm]	148	155		164		171		182

L = length of the motor without built-on accessories
 ΔL = additional length of the built-on accessories (with brake)

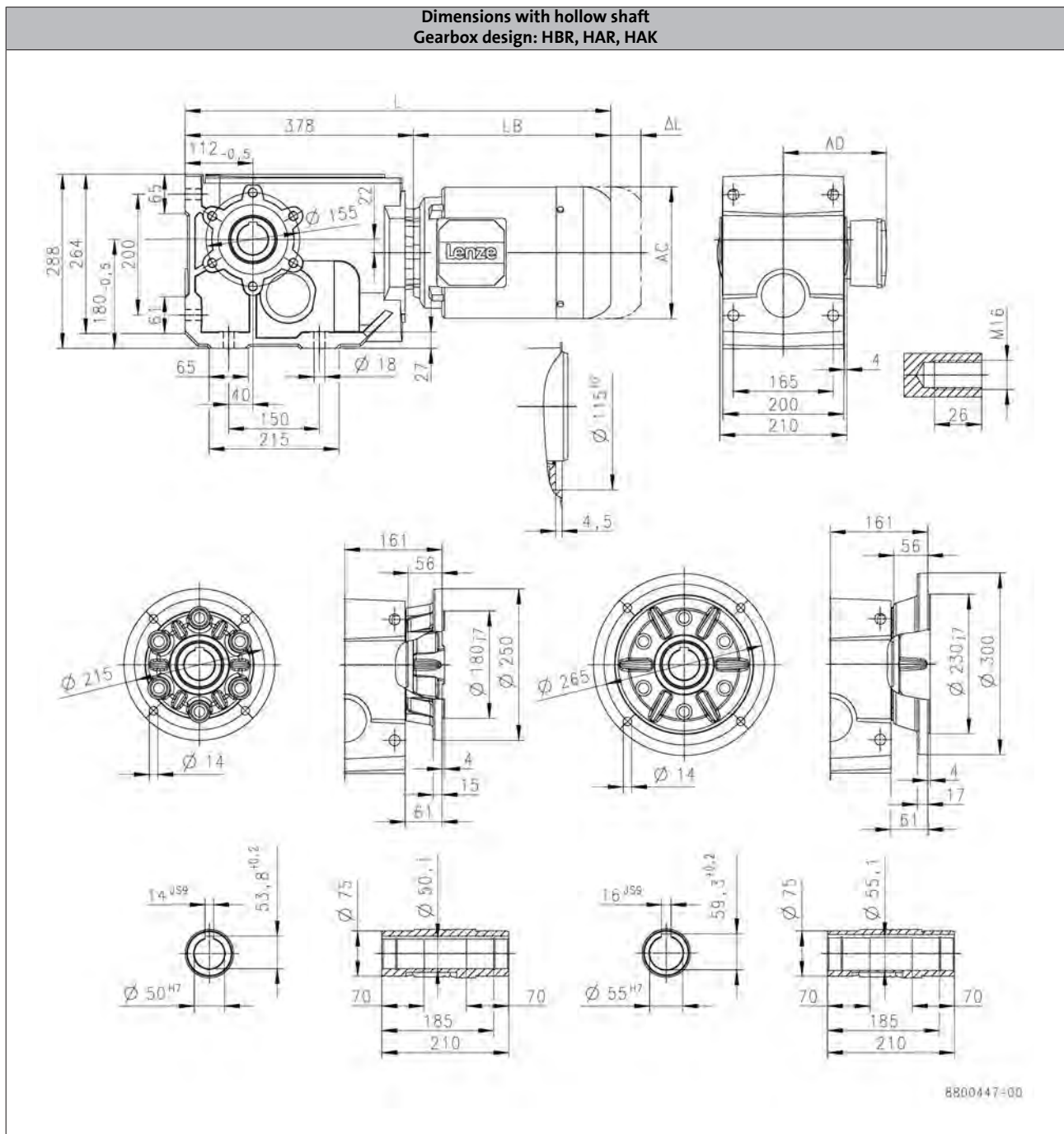
g500-B bevel geared motors

Technical data



Dimensions, 4-pole motors

g500-B1500



		MD□MA□□			m240		
		071-42	-P80/M4	-P90/M4	-P90/L4	-P100/M4	-P100/L4
Total length	L [mm]	581	603	672		734	
Motor length	LB [mm]	203	225	294		356	
Length of motor options	Δ L [mm]	52.0	107	92.0		103	
Motor diameter	AC [mm]	139	158	172		192	
Distance motor/connection	AD [mm]	118	148	155		164	

L = length of the motor without built-on accessories
 ΔL = additional length of the built-on accessories (with brake)

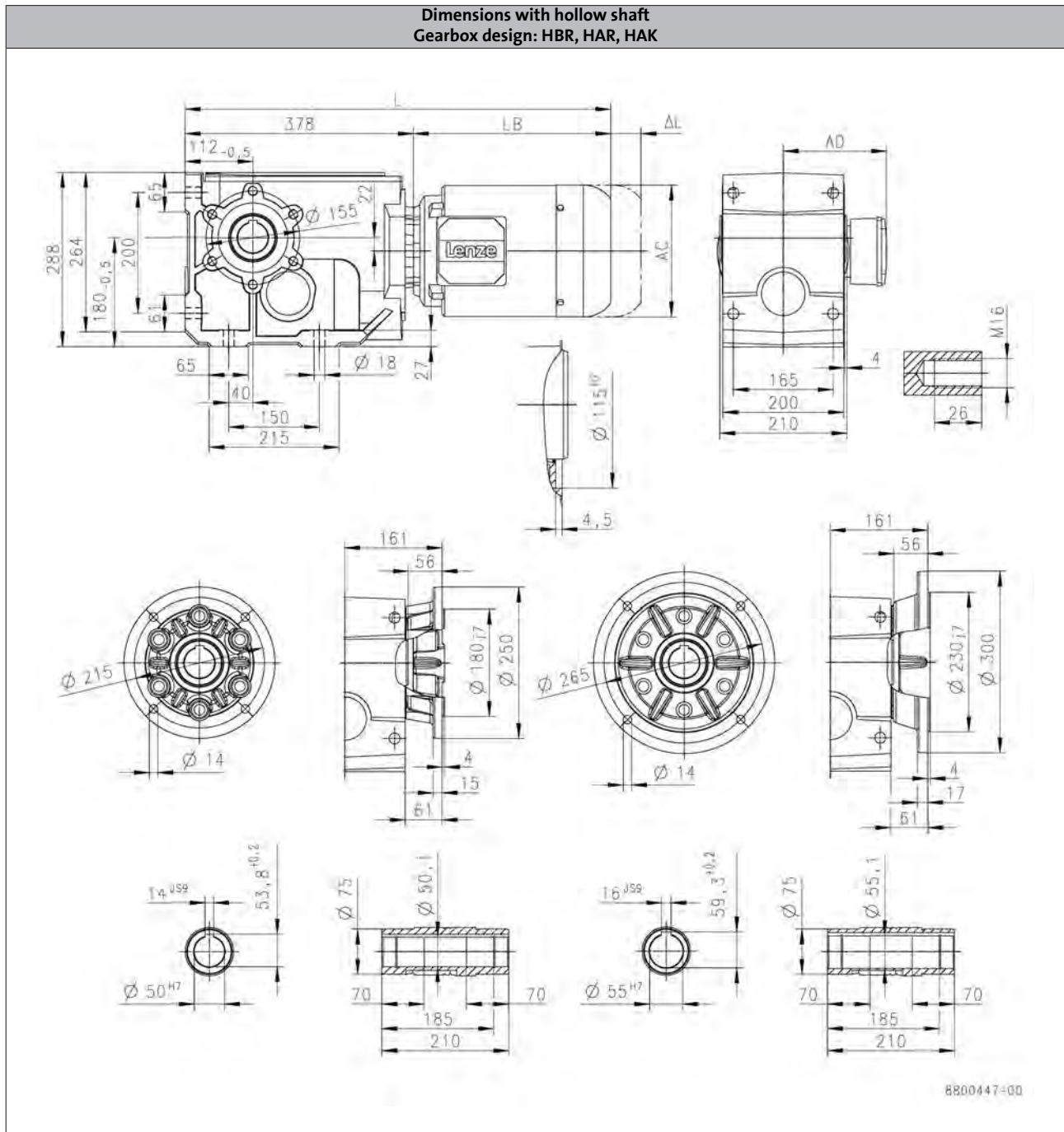
g500-B bevel geared motors

Technical data



Dimensions, 4-pole motors

g500-B1500



		m240				
		-P112/M4	-P132/M4	-P132/L4	-P160/M4	-P160/L4
Total length	L [mm]	721	796			947
Motor length	LB [mm]	343	418			569
Length of motor options	Δ L [mm]	111	118			146
Motor diameter	AC [mm]	210	281			313
Distance motor/connection	AD [mm]	171	182			231

L = length of the motor without built-on accessories
 ΔL = additional length of the built-on accessories (with brake)

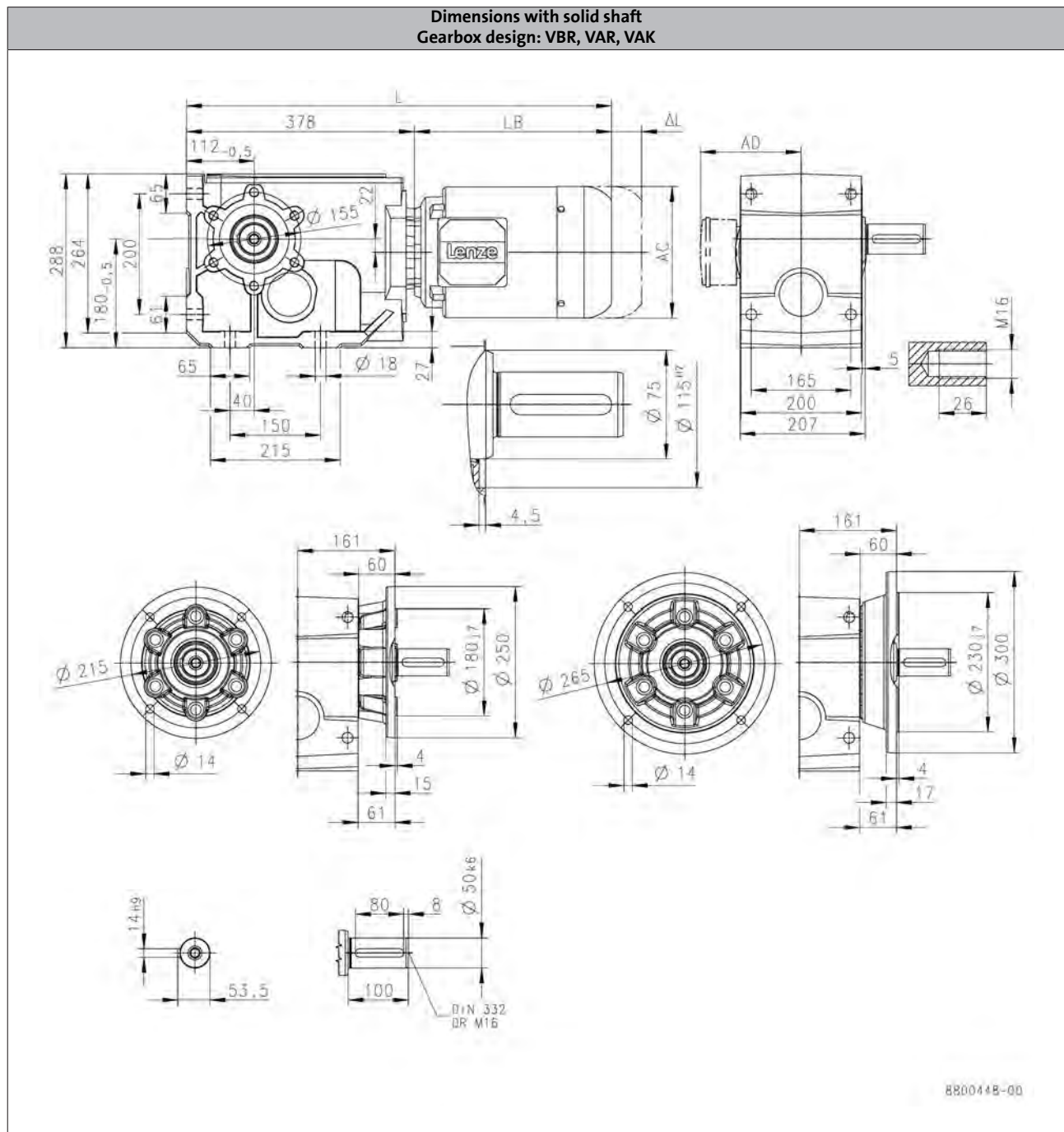
g500-B bevel geared motors

Technical data



Dimensions, 4-pole motors

g500-B1500



		MD□MA□□			m240		
		071-42	-P80/M4	-P90/M4	-P90/L4	-P100/M4	-P100/L4
Total length	L [mm]	581	603	672		734	
Motor length	LB [mm]	203	225	294		356	
Length of motor options	Δ L [mm]	52.0	107	92.0		103	
Motor diameter	AC [mm]	139	158	172		192	
Distance motor/connection	AD [mm]	118	148	155		164	

L = length of the motor without built-on accessories
 ΔL = additional length of the built-on accessories (with brake)

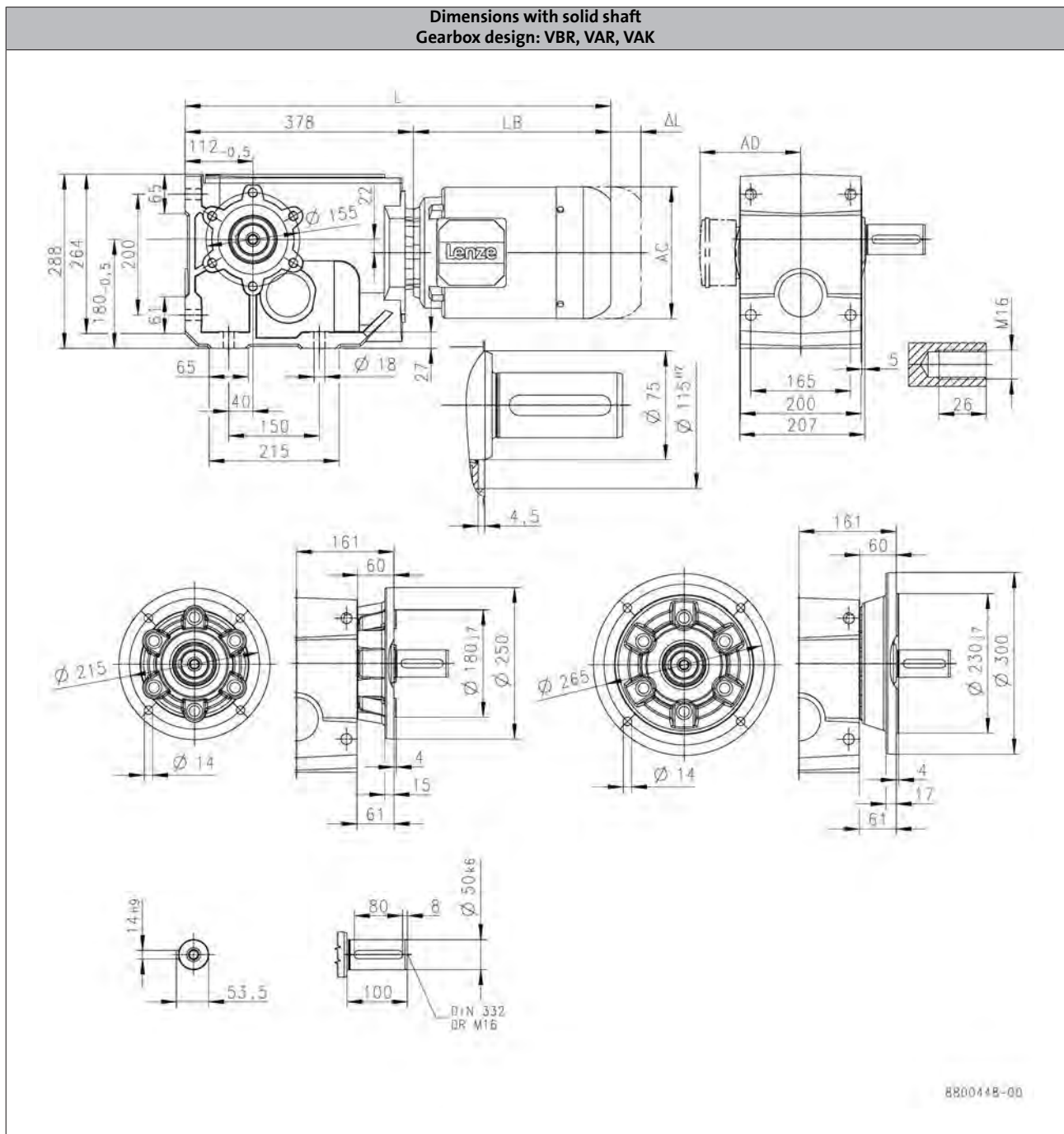
g500-B bevel geared motors

Technical data



Dimensions, 4-pole motors

g500-B1500



		m240				
		-P112/M4	-P132/M4	-P132/L4	-P160/M4	-P160/L4
Total length	L [mm]	721	796			947
Motor length	LB [mm]	343	418			569
Length of motor options	Δ L [mm]	111	118			146
Motor diameter	AC [mm]	210	281			313
Distance motor/connection	AD [mm]	171	182			231

L = length of the motor without built-on accessories
 ΔL = additional length of the built-on accessories (with brake)

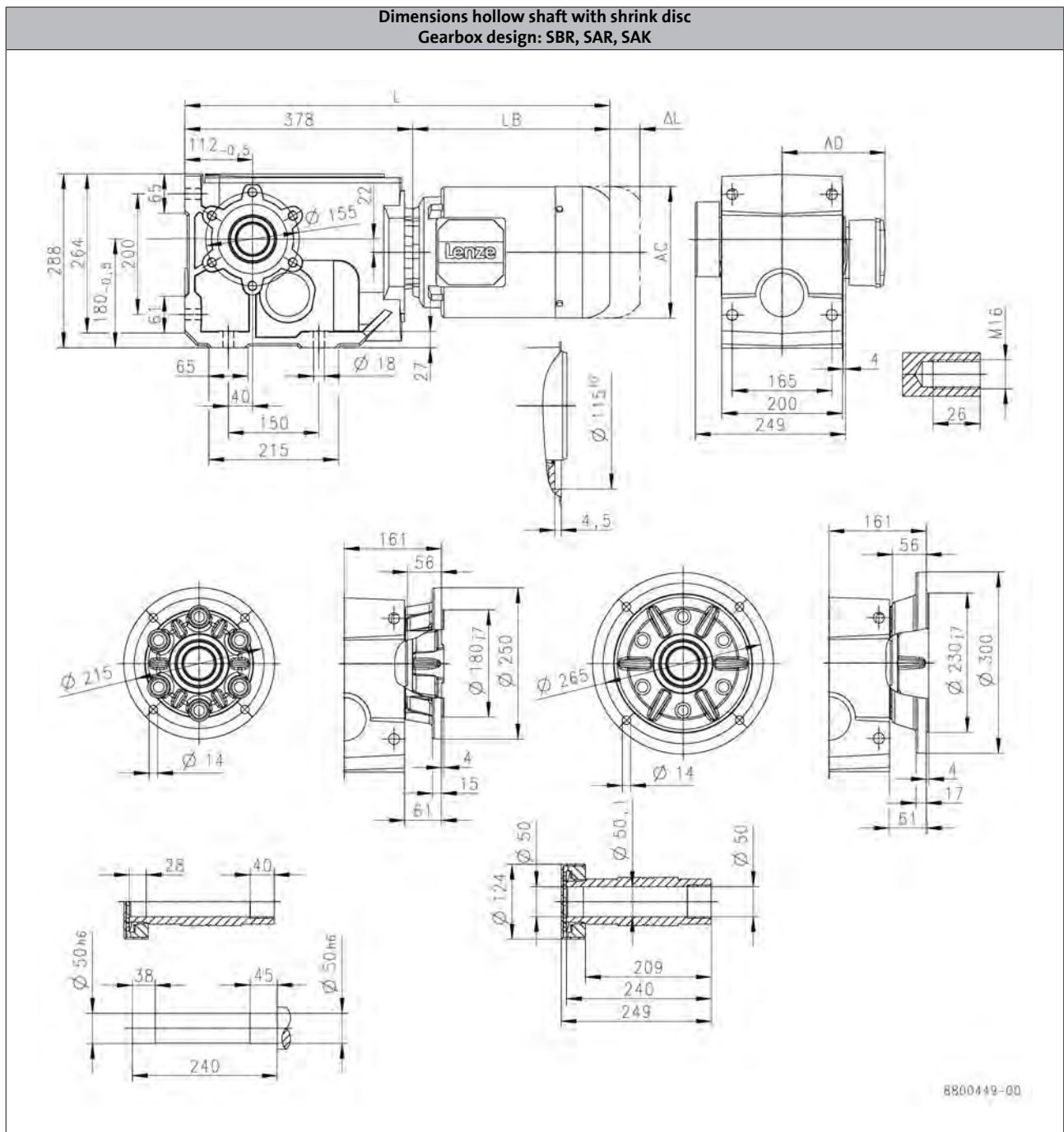
g500-B bevel geared motors

Technical data



Dimensions, 4-pole motors

g500-B1500



		MD□MA□□			m240		
		071-42	-P80/M4	-P90/M4	-P90/L4	-P100/M4	-P100/L4
Total length	L [mm]	581	603	672		734	
Motor length	LB [mm]	203	225	294		356	
Length of motor options	Δ L [mm]	52.0	107	92.0		103	
Motor diameter	AC [mm]	139	158	172		192	
Distance motor/connection	AD [mm]	118	148	155		164	

L = length of the motor without built-on accessories
 ΔL = additional length of the built-on accessories (with brake)

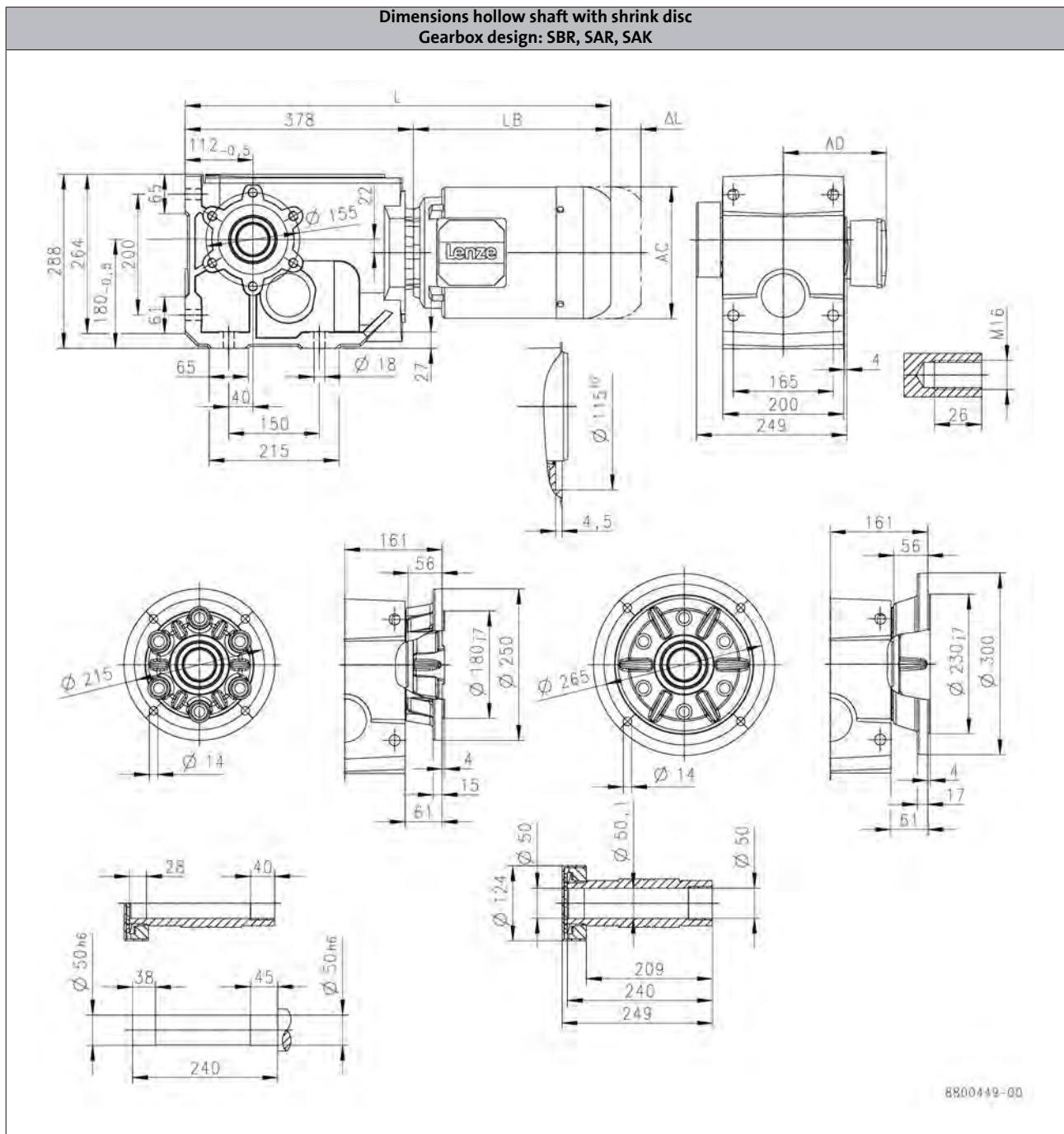
g500-B bevel geared motors

Technical data



Dimensions, 4-pole motors

g500-B1500



		m240				
		-P112/M4	-P132/M4	-P132/L4	-P160/M4	-P160/L4
Total length	L [mm]	721	796			947
Motor length	LB [mm]	343	418			569
Length of motor options	Δ L [mm]	111	118			146
Motor diameter	AC [mm]	210	281			313
Distance motor/connection	AD [mm]	171	182			231

L = length of the motor without built-on accessories
 ΔL = additional length of the built-on accessories (with brake)

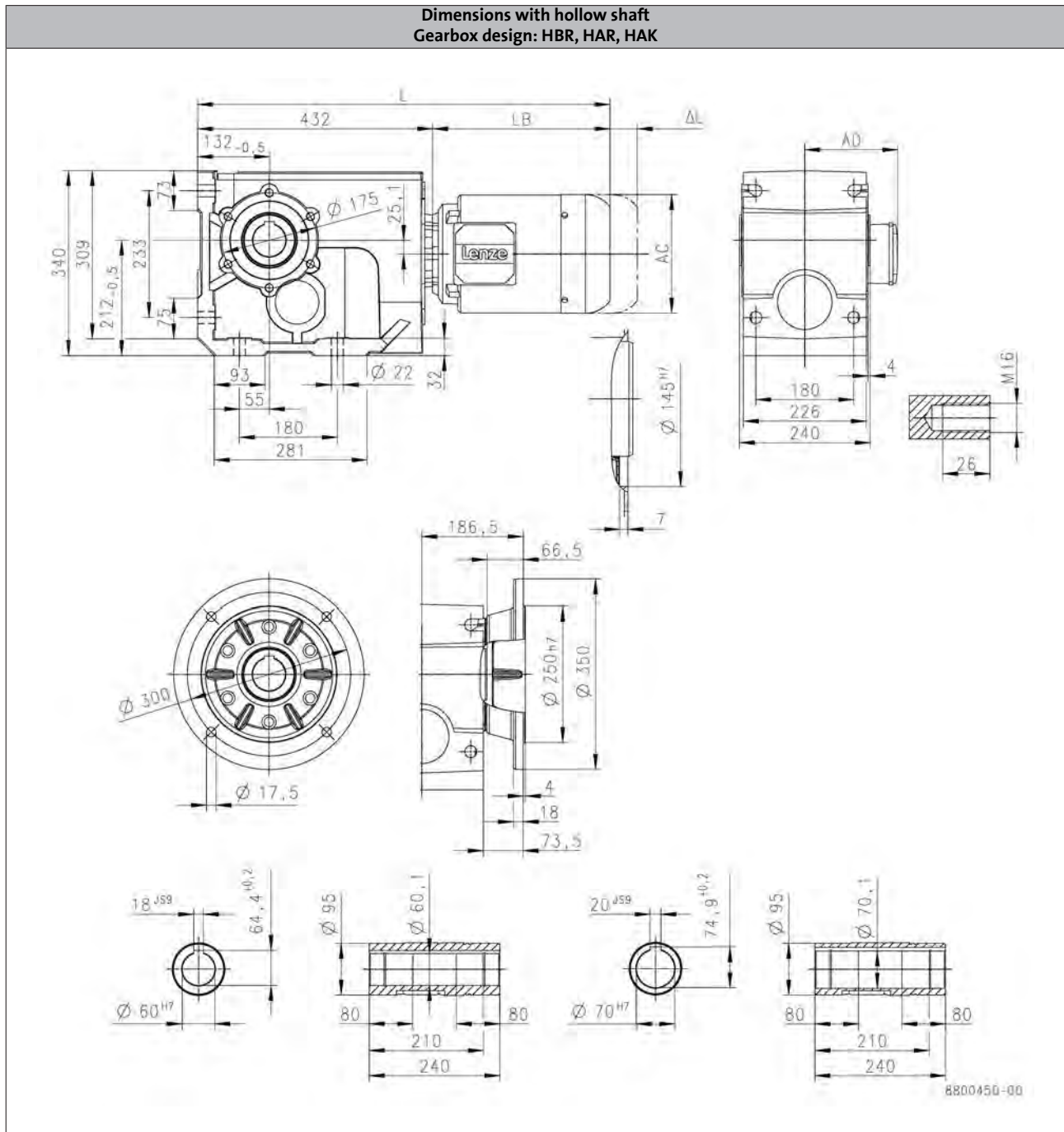
g500-B bevel geared motors

Technical data



Dimensions, 4-pole motors

g500-B2700



		m240				
		-P90/M4	-P90/L4	-P100/M4	-P100/L4	-P112/M4
Total length	L [mm]	726		788		775
Motor length	LB [mm]	294		356		343
Length of motor options	Δ L [mm]	92.0		103		111
Motor diameter	AC [mm]	172		192		210
Distance motor/connection	AD [mm]	155		164		171

L = length of the motor without built-on accessories
 ΔL = additional length of the built-on accessories (with brake)

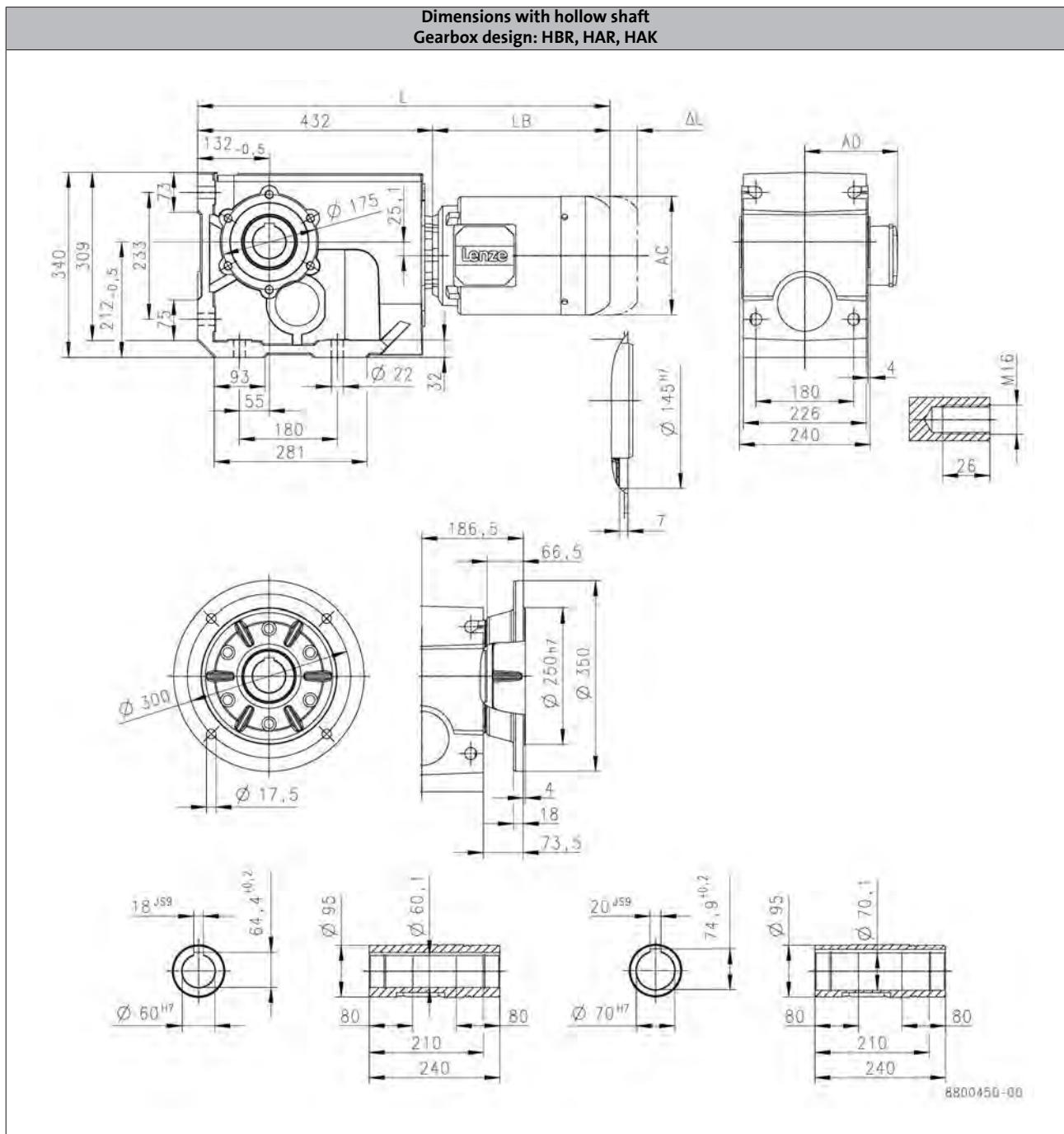
g500-B bevel geared motors

Technical data



Dimensions, 4-pole motors

g500-B2700



		m240			
		-P132/M4	-P132/L4	-P160/M4	-P160/L4
Total length	L [mm]	850			1001
Motor length	LB [mm]	418			569
Length of motor options	Δ L [mm]	118			146
Motor diameter	AC [mm]	281			313
Distance motor/connection	AD [mm]	182			231

L = length of the motor without built-on accessories
 ΔL = additional length of the built-on accessories (with brake)

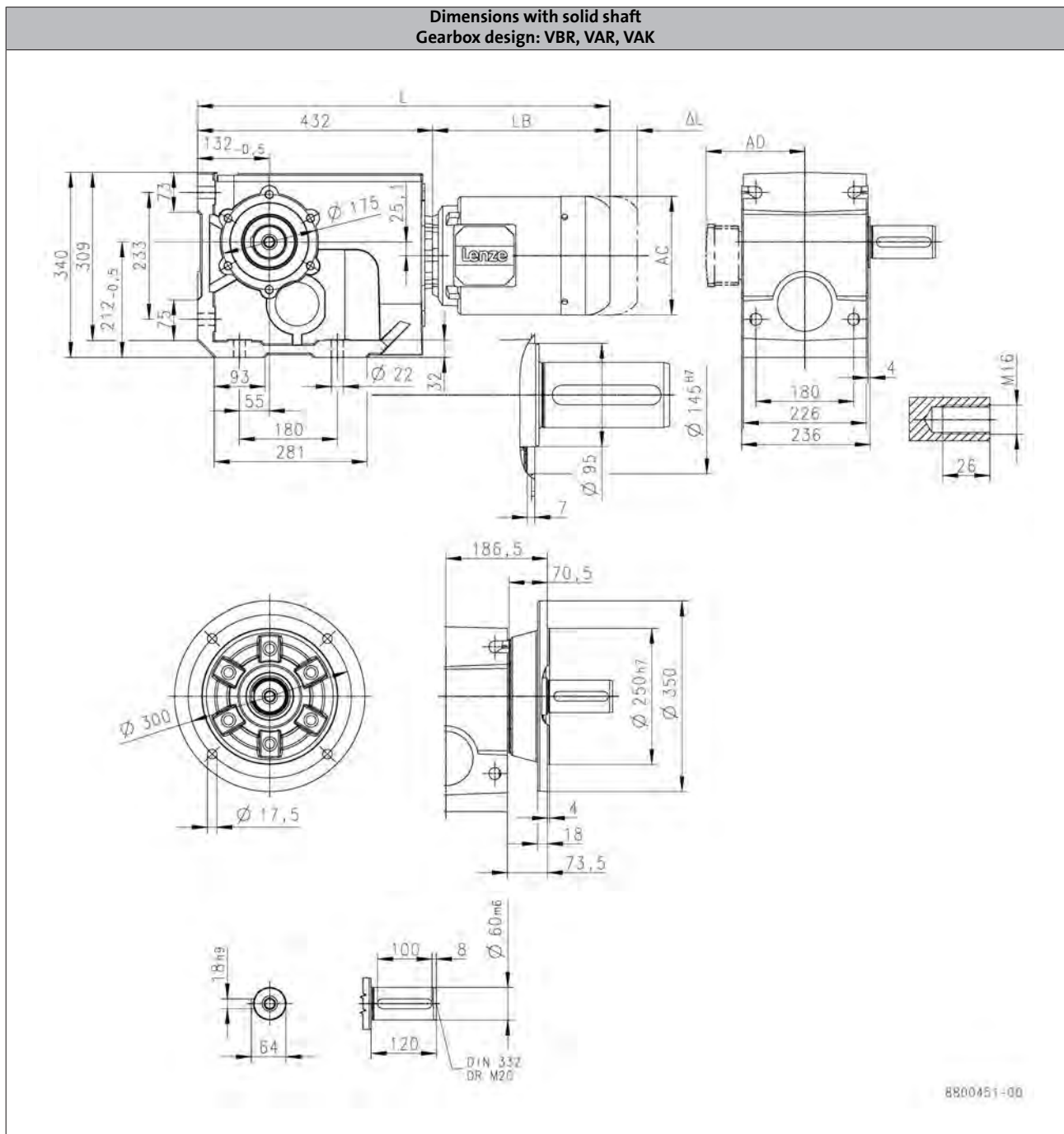
g500-B bevel geared motors

Technical data



Dimensions, 4-pole motors

g500-B2700



		m240				
		-P90/M4	-P90/L4	-P100/M4	-P100/L4	-P112/M4
Total length	L [mm]	726		788		775
Motor length	LB [mm]	294		356		343
Length of motor options	Δ L [mm]	92.0		103		111
Motor diameter	AC [mm]	172		192		210
Distance motor/connection	AD [mm]	155		164		171

L = length of the motor without built-on accessories
 ΔL = additional length of the built-on accessories (with brake)

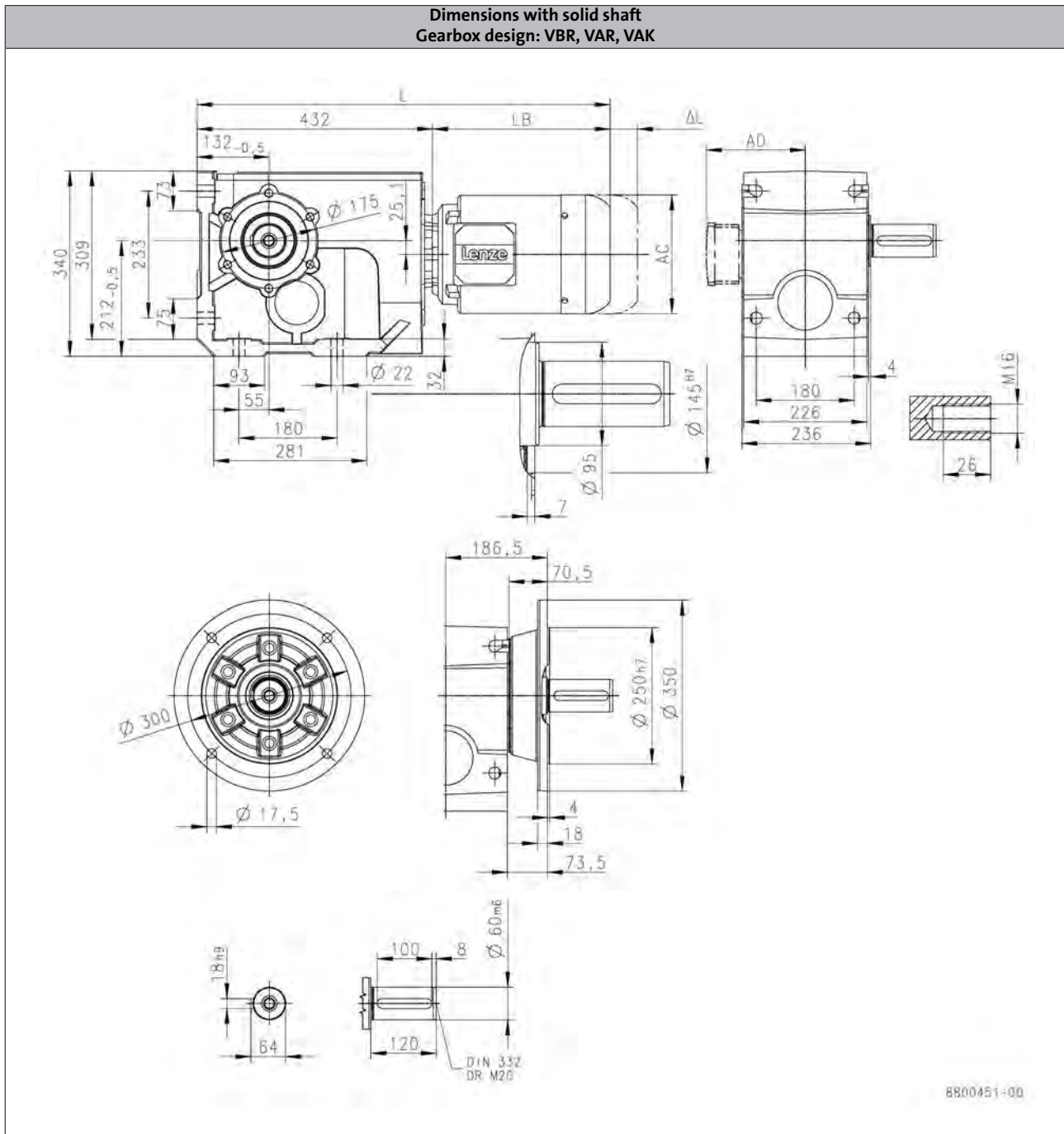
g500-B bevel geared motors

Technical data



Dimensions, 4-pole motors

g500-B2700



		m240			
		-P132/M4	-P132/L4	-P160/M4	-P160/L4
Total length	L [mm]	850			1001
Motor length	LB [mm]	418			569
Length of motor options	Δ L [mm]	118		146	
Motor diameter	AC [mm]	281		313	
Distance motor/connection	AD [mm]	182		231	

L = length of the motor without built-on accessories
 ΔL = additional length of the built-on accessories (with brake)

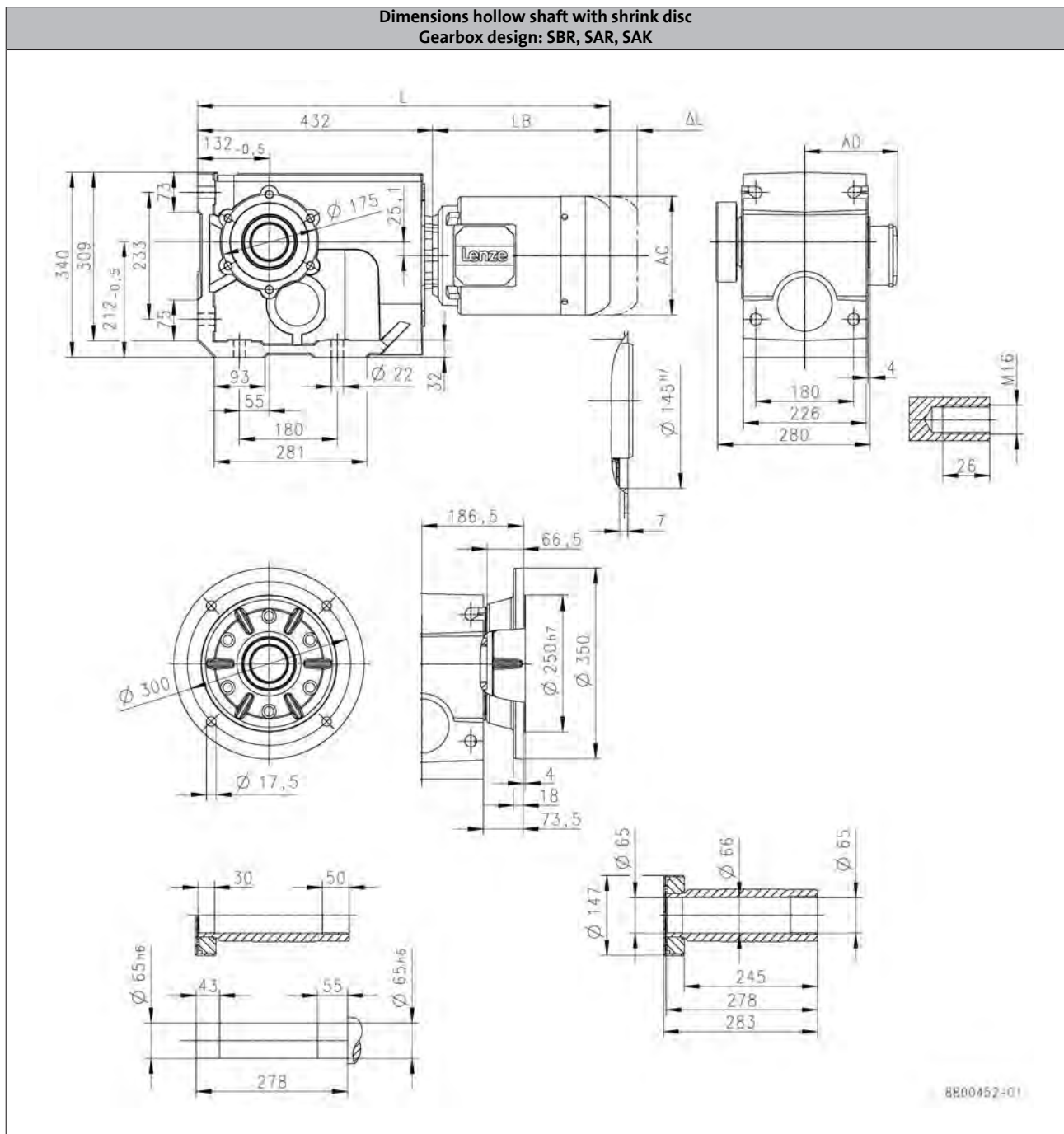
g500-B bevel geared motors

Technical data



Dimensions, 4-pole motors

g500-B2700



		m240				
		-P90/M4	-P90/L4	-P100/M4	-P100/L4	-P112/M4
Total length	L [mm]		726		788	775
Motor length	LB [mm]		294		356	343
Length of motor options	Δ L [mm]		92.0		103	111
Motor diameter	AC [mm]		172		192	210
Distance motor/connection	AD [mm]		155		164	171

L = length of the motor without built-on accessories
 ΔL = additional length of the built-on accessories (with brake)

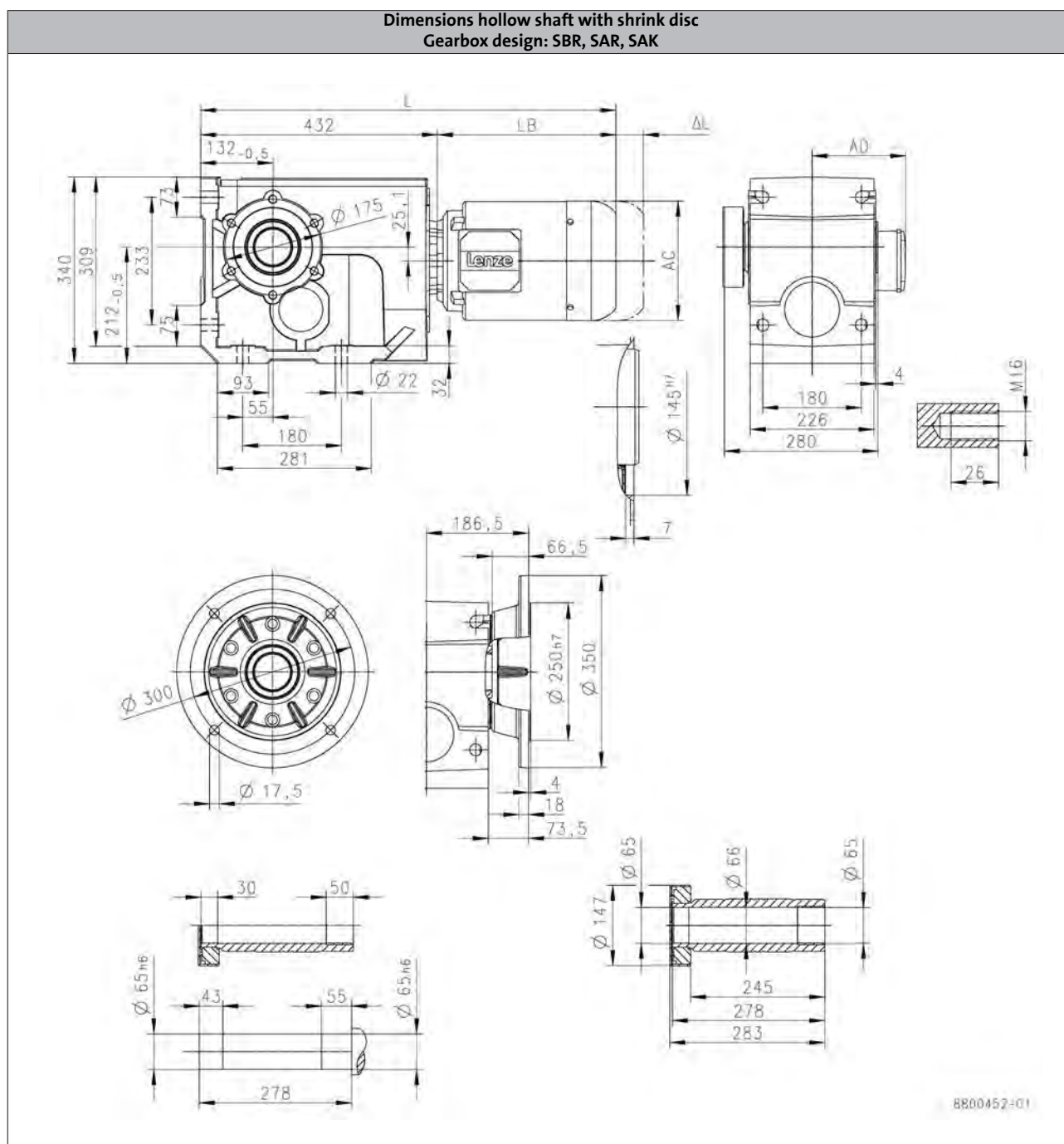
g500-B bevel geared motors

Technical data



Dimensions, 4-pole motors

g500-B2700



		m240			
		-P132/M4	-P132/L4	-P160/M4	-P160/L4
Total length	L [mm]	850			1001
Motor length	LB [mm]	418			569
Length of motor options	Δ L [mm]	118			146
Motor diameter	AC [mm]	281			313
Distance motor/connection	AD [mm]	182			231

L = length of the motor without built-on accessories
 ΔL = additional length of the built-on accessories (with brake)

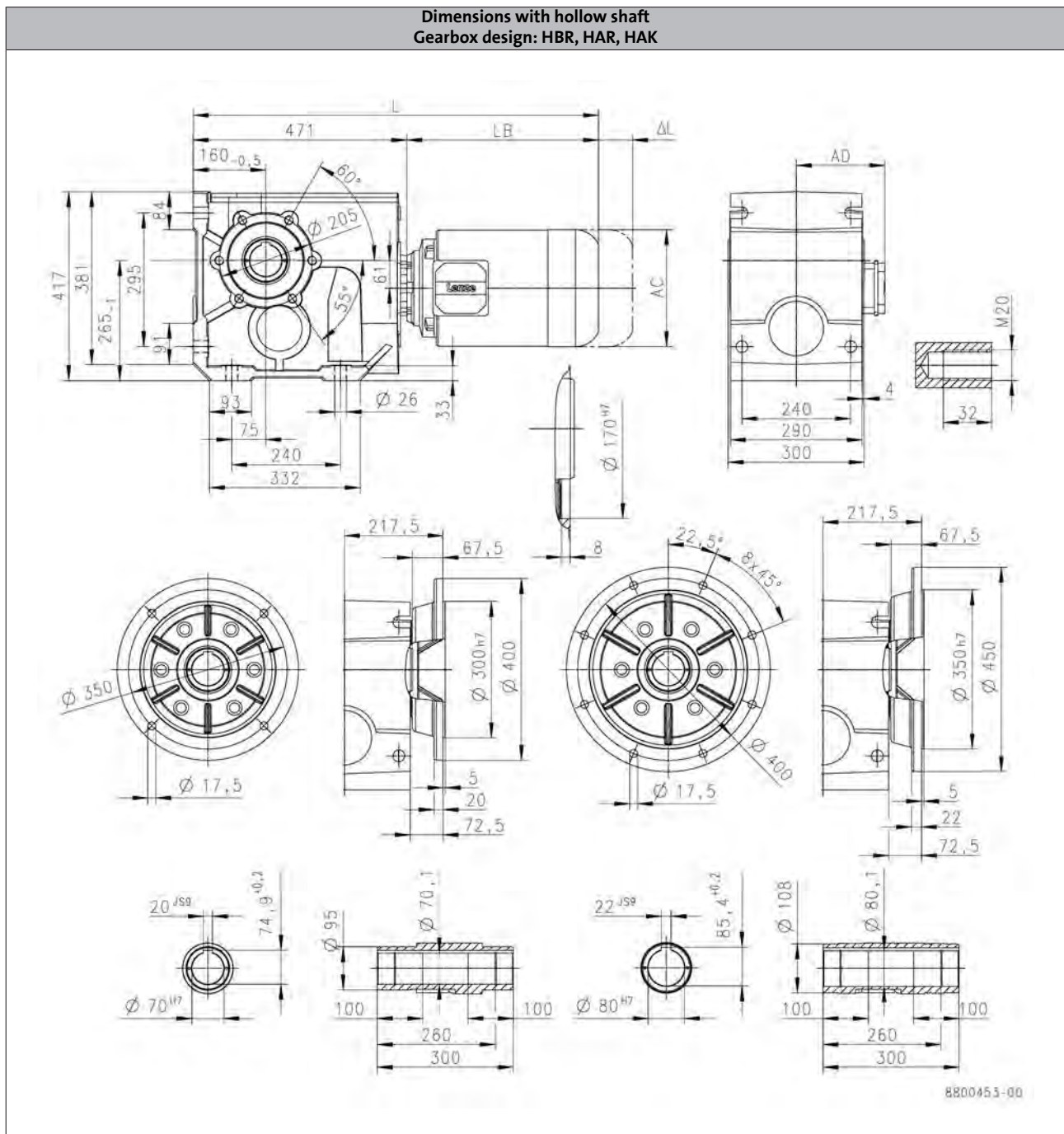
g500-B bevel geared motors

Technical data



Dimensions, 4-pole motors

g500-B4300



		m240						
		-P90/M4	-P90/L4	-P100/M4	-P100/L4	-P112/M4	-P132/M4	-P132/L4
Total length	L [mm]	765		827		814		889
Motor length	LB [mm]	294		356		343		418
Length of motor options	Δ L [mm]	92.0		103		111		118
Motor diameter	AC [mm]	172		192		210		281
Distance motor/connection	AD [mm]	155		164		171		182

L = length of the motor without built-on accessories
 ΔL = additional length of the built-on accessories (with brake)

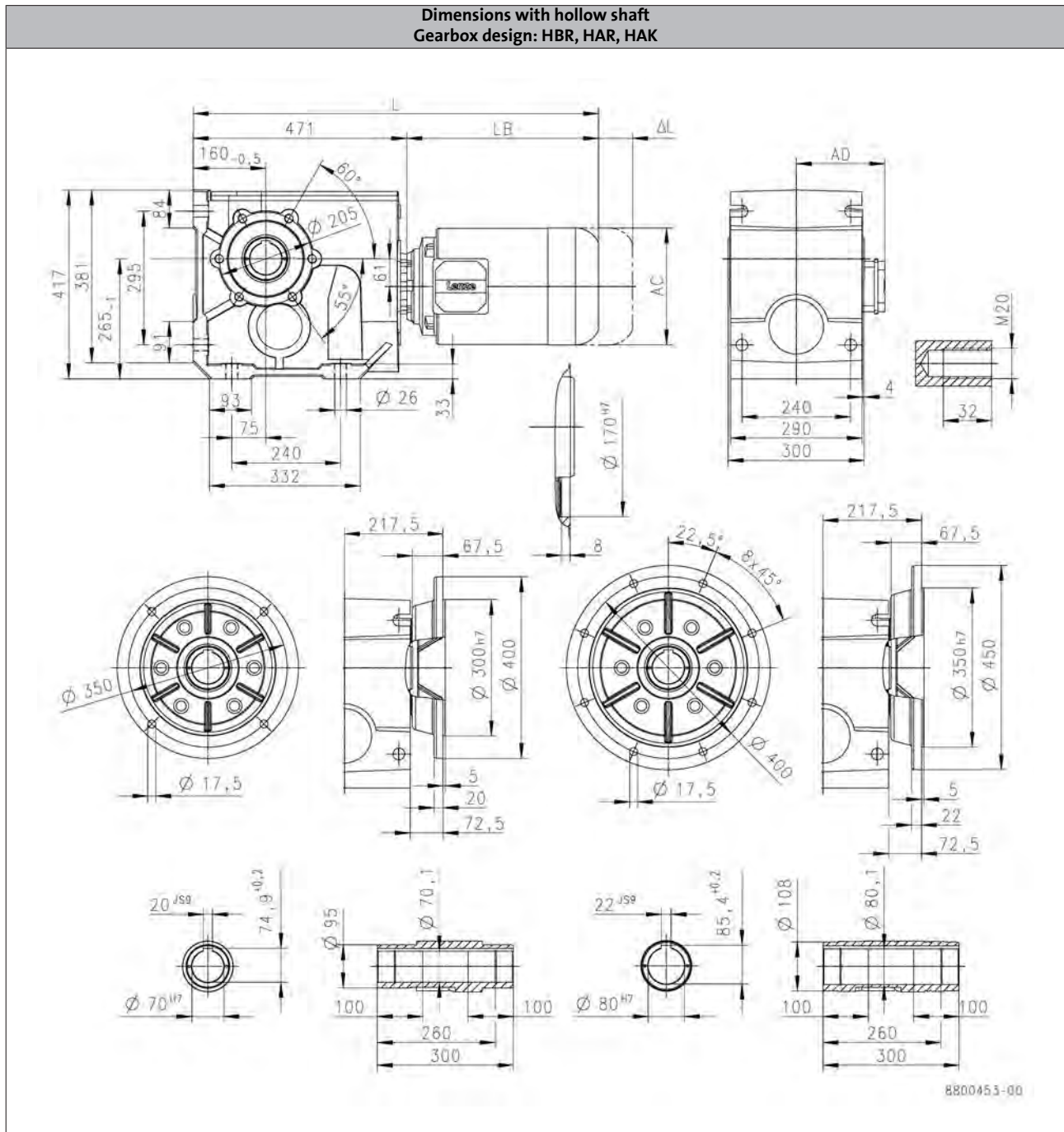
g500-B bevel geared motors

Technical data



Dimensions, 4-pole motors

g500-B4300



		m240				
		-P160/M4	-P160/L4	-P180/M4	-P180/L4	-P180/V4
Total length	L [mm]		1040		1140	
Motor length	LB [mm]		569		669	
Length of motor options	Δ L [mm]		146		107	
Motor diameter	AC [mm]		313		351	
Distance motor/connection	AD [mm]		231		282	

L = length of the motor without built-on accessories
 ΔL = additional length of the built-on accessories (with brake)

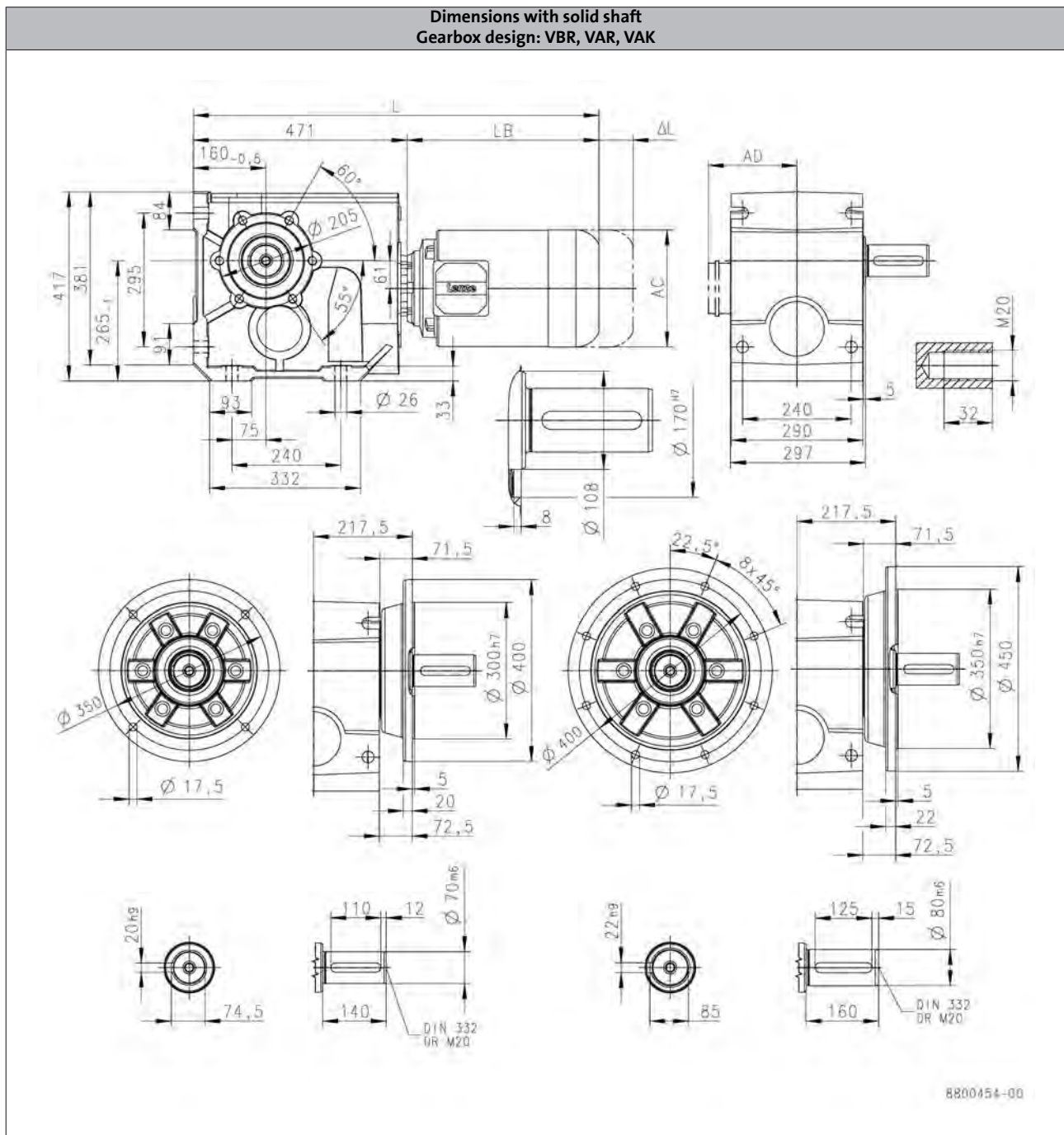
g500-B bevel geared motors

Technical data



Dimensions, 4-pole motors

g500-B4300



		m240						
		-P90/M4	-P90/L4	-P100/M4	-P100/L4	-P112/M4	-P132/M4	-P132/L4
Total length	L [mm]	765		827		814		889
Motor length	LB [mm]	294		356		343		418
Length of motor options	Δ L [mm]	92.0		103		111		118
Motor diameter	AC [mm]	172		192		210		281
Distance motor/connection	AD [mm]	155		164		171		182

L = length of the motor without built-on accessories
 ΔL = additional length of the built-on accessories (with brake)

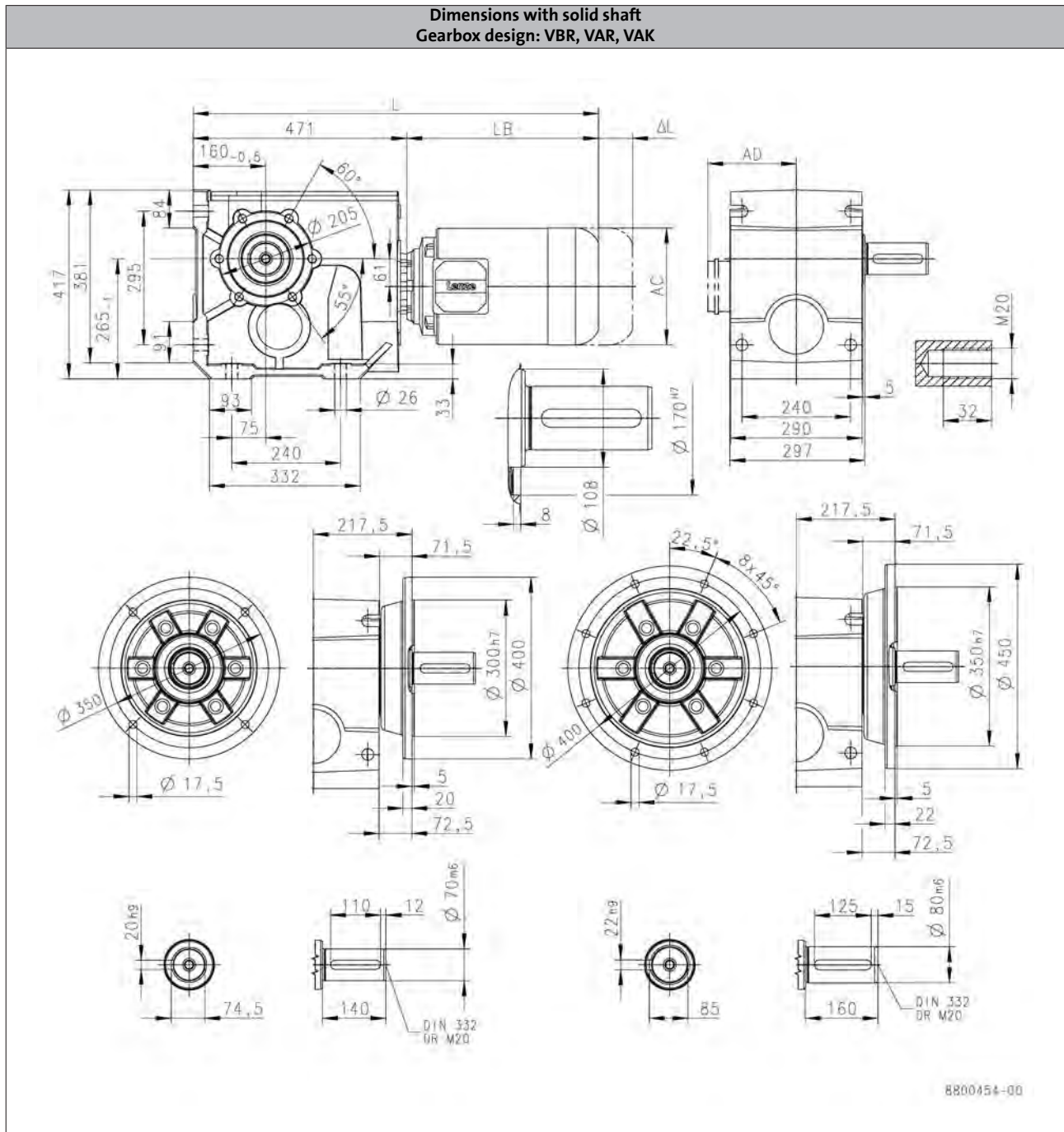
g500-B bevel geared motors

Technical data



Dimensions, 4-pole motors

g500-B4300



		m240				
		-P160/M4	-P160/L4	-P180/M4	-P180/L4	-P180/V4
Total length	L [mm]		1040		1140	
Motor length	LB [mm]		569		669	
Length of motor options	Δ L [mm]		146		107	
Motor diameter	AC [mm]		313		351	
Distance motor/connection	AD [mm]		231		282	

L = length of the motor without built-on accessories
 ΔL = additional length of the built-on accessories (with brake)

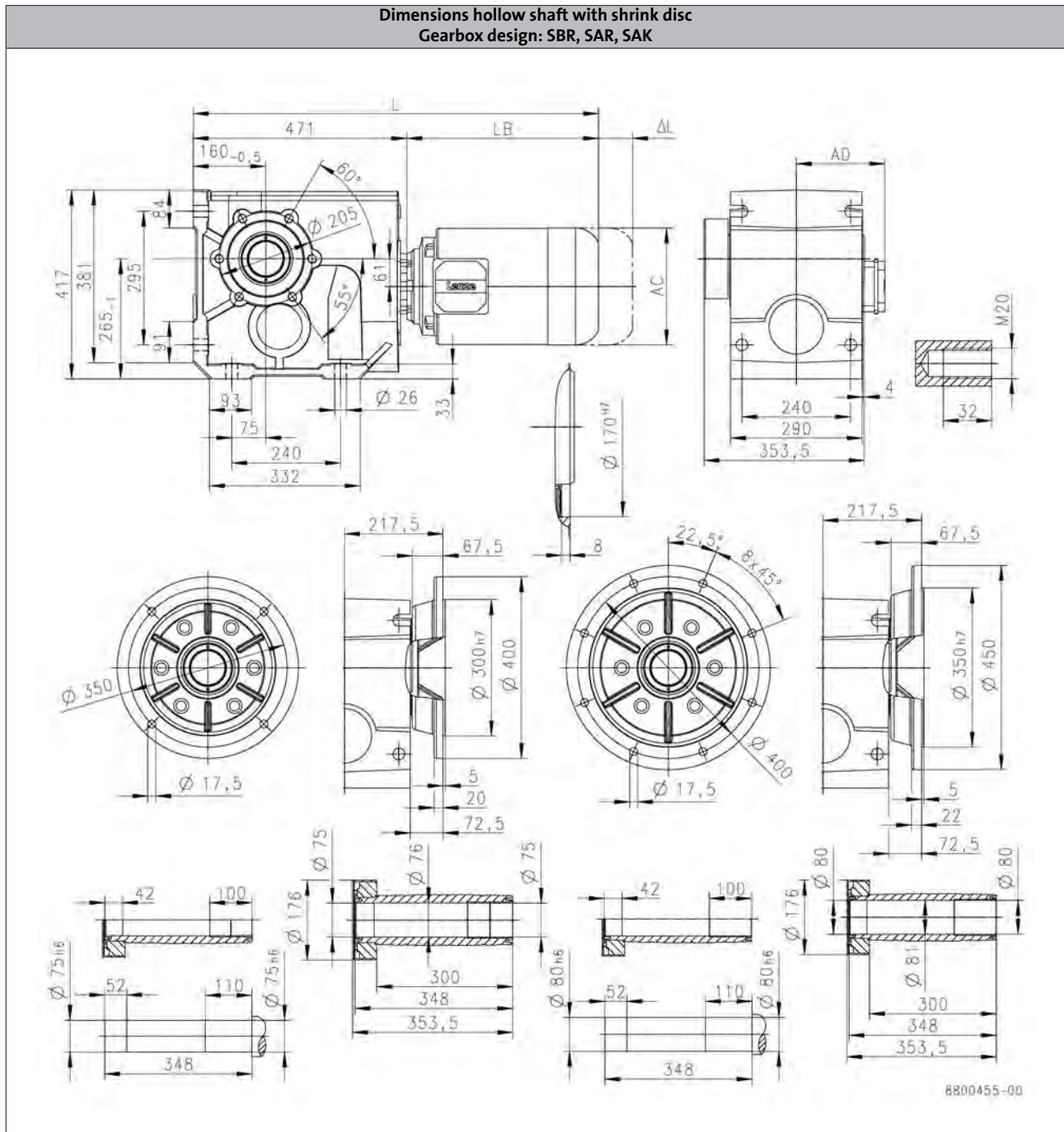
g500-B bevel geared motors

Technical data



Dimensions, 4-pole motors

g500-B4300



		m240						
		-P90/M4	-P90/L4	-P100/M4	-P100/L4	-P112/M4	-P132/M4	-P132/L4
Total length	L [mm]	765		827		814		889
Motor length	LB [mm]	294		356		343		418
Length of motor options	Δ L [mm]	92.0		103		111		118
Motor diameter	AC [mm]	172		192		210		281
Distance motor/connection	AD [mm]	155		164		171		182

L = length of the motor without built-on accessories
 ΔL = additional length of the built-on accessories (with brake)

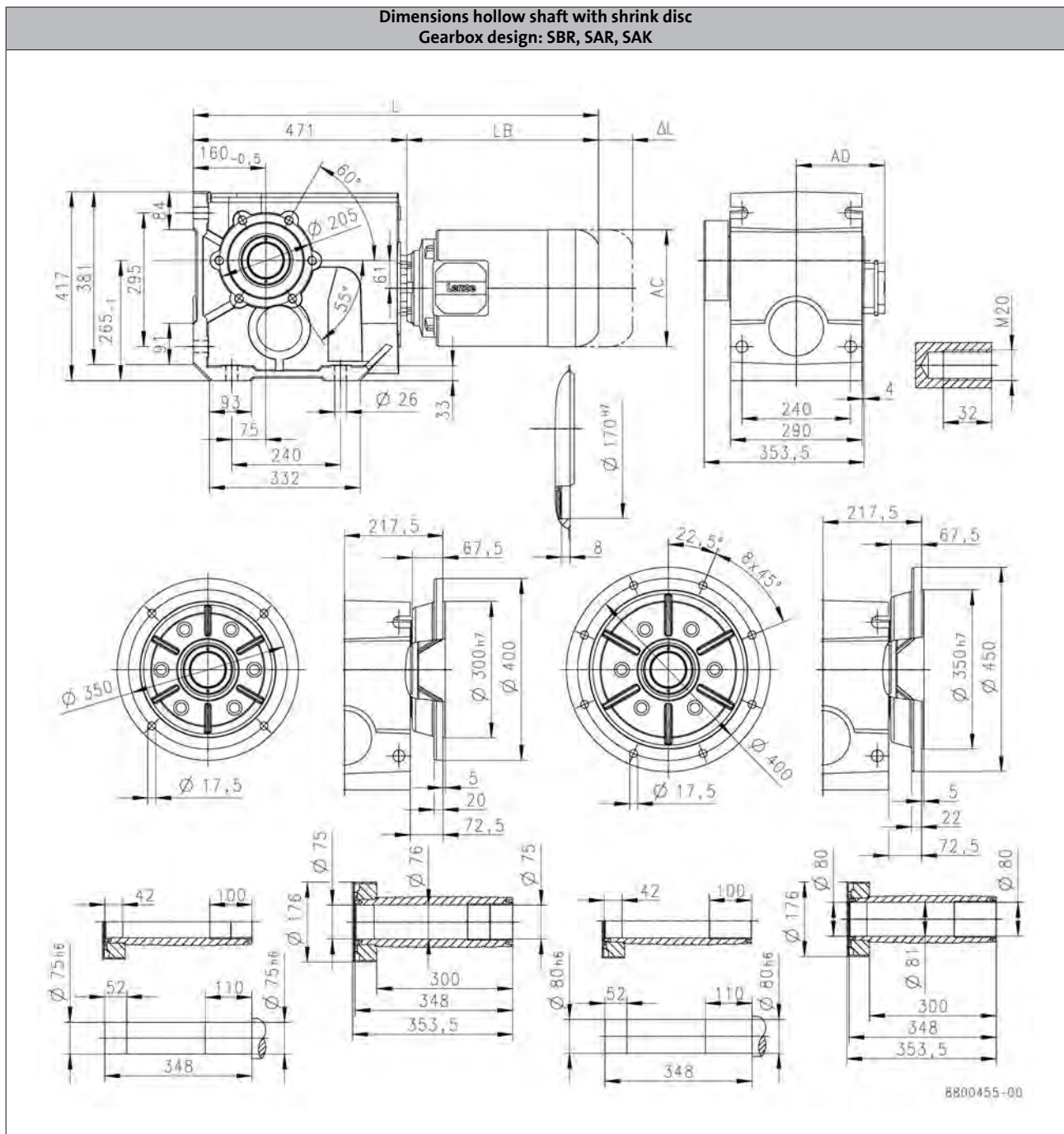
g500-B bevel geared motors

Technical data



Dimensions, 4-pole motors

g500-B4300



		m240				
		-P160/M4	-P160/L4	-P180/M4	-P180/L4	-P180/V4
Total length	L [mm]		1040		1140	
Motor length	LB [mm]		569		669	
Length of motor options	ΔL [mm]		146		107	
Motor diameter	AC [mm]		313		351	
Distance motor/connection	AD [mm]		231		282	

L = length of the motor without built-on accessories
 ΔL = additional length of the built-on accessories (with brake)

g500-B bevel geared motors

Technical data



Weights, 4-pole motors

- Weights with oil capacity for mounting position A, all given as approximate values.
The weights refer to the basic version, observe additional weights!

2-stage gearboxes

Product		Mass
		m
		[kg]
g500-B45	MD□MA□□063-02	6.70
	MD□MA□□063-12	7.30
	MD□MA□□063-22	6.70
	MD□MA□□063-32	7.30
	MD□MA□□063-42	7.60
	MD□MA□□071-32	9.00
	MD□MA□□071-42	9.60
g500-B110	MD□MA□□063-12	8.90
	MD□MA□□063-32	
	MD□MA□□063-42	9.20
	MD□MA□□071-32	10.6
	MD□MA□□071-42	11.2
	m240-P80/M4	19.7
	m240-P90/M4	23.7
m240-P90/L4	24.7	
g500-B240	MD□MA□□063-12	13.2
	MD□MA□□063-32	
	MD□MA□□063-42	13.5
	MD□MA□□071-32	14.9
	MD□MA□□071-42	15.5
	m240-P80/M4	24.0
	m240-P90/M4	28.0
	m240-P90/L4	29.0
	m240-P100/M4	35.0
	m240-P100/L4	40.0

g500-B bevel geared motors

Technical data



Weights, 4-pole motors

- Weights with oil capacity for mounting position A, all given as approximate values.
The weights refer to the basic version, observe additional weights!

3-stage gearboxes

Product		Mass
		m
		[kg]
g500-B240	MD□MA□□063-12	13.4
	MD□MA□□063-32	
	MD□MA□□063-42	13.7
	MD□MA□□071-32	15.1
	MD□MA□□071-42	15.7
g500-B450	MD□MA□□063-12	16.4
	MD□MA□□063-32	
	MD□MA□□063-42	16.7
	MD□MA□□071-32	18.1
	MD□MA□□071-42	18.7
	m240-P80/M4	27.2
	m240-P90/M4	31.2
	m240-P90/L4	32.2
	m240-P100/M4	38.2
	m240-P100/L4	43.2
	m240-P112/M4	46.2
	m240-P132/M4	67.2
	m240-P132/L4	69.2
	g500-B600	MD□MA□□063-42
MD□MA□□071-32		36.2
MD□MA□□071-42		36.8
m240-P80/M4		45.3
m240-P90/M4		49.3
m240-P90/L4		50.3
m240-P100/M4		56.3
m240-P100/L4		61.3
m240-P112/M4		64.3
m240-P132/M4		85.3
g500-B820	MD□MA□□063-42	39.9
	MD□MA□□071-32	41.3
	MD□MA□□071-42	41.9
	m240-P80/M4	50.4
	m240-P90/M4	54.4
	m240-P90/L4	55.4
	m240-P100/M4	61.4

Product		Mass
		m
		[kg]
g500-B820	m240-P100/L4	66.4
	m240-P112/M4	69.4
	m240-P132/M4	90.4
	m240-P132/L4	92.4
g500-B1500	MD□MA□□071-42	72.2
	m240-P80/M4	80.7
	m240-P90/M4	84.7
	m240-P90/L4	85.7
	m240-P100/M4	91.7
	m240-P100/L4	96.7
	m240-P112/M4	99.7
	m240-P132/M4	121
	m240-P132/L4	123
	m240-P160/M4	158
	m240-P160/L4	165
g500-B2700	m240-P90/M4	126
	m240-P90/L4	127
	m240-P100/M4	133
	m240-P100/L4	138
	m240-P112/M4	141
	m240-P132/M4	162
	m240-P132/L4	164
	m240-P160/M4	199
	m240-P160/L4	206
	m240-P90/M4	188
g500-B4300	m240-P90/L4	189
	m240-P100/M4	195
	m240-P100/L4	200
	m240-P112/M4	203
	m240-P132/M4	224
	m240-P132/L4	226
	m240-P160/M4	261
	m240-P160/L4	268
	m240-P180/M4	295
	m240-P180/L4	304
m240-P180/V4	352	

g500-B bevel geared motors

Technical data



Additional weights for gearboxes

Product			g500-B45	g500-B110	g500-B240	g500-B450	g500-B600
Mass							
Solid shaft	m	[kg]	0.4	0.5	1.4	1.0	1.5
Shrink disc	m	[kg]	0.2	0.2	0.7	0.6	0.6
Flange	m	[kg]	0.3	0.4	0.7	0.9	6.1

Product			g500-B820	g500-B1500	g500-B2700	g500-B4300
Mass						
Solid shaft	m	[kg]	1.9	3.7	6.0	15.5
Shrink disc	m	[kg]	1.2	1.7	2.3	4.3
Flange	m	[kg]	6.1	11.5	15.0	29.0

Additional weights for motors

4-pole motors

Product			MD□MA□□		m240		
			063-12 063-32 063-42	071-32 071-42	-P80/M4	-P90/M4 -P90/L4	-P100/M4 -P100/L4
Brake			06	06 08		08 10	10 12
	m	[kg]	0.9	0.9 1.5		1.5 2.6	2.6 4.2

Product			m240				
			-P112/M4	-P132/M4 -P132/L4	-P160/M4	-P160/L4	-P180/M4 -P180/L4 -P180/V4
Brake			12 14	14 16	16 18	18	18 20
	m	[kg]	4.2 5.8	5.8 8.7	8.7 12.6	12.6	12.6 19.5

g500-B bevel geared motors

Product extensions



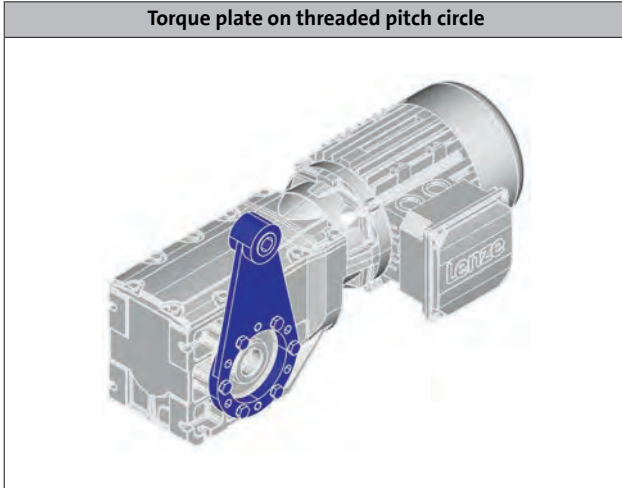
Overview

Torque plate

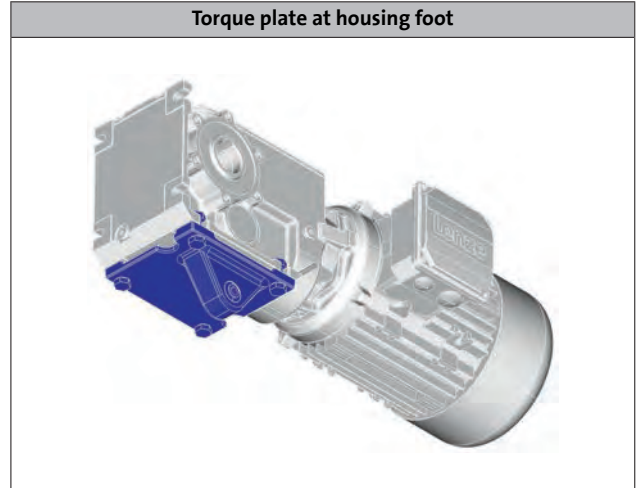
The torque is usually supported via the foot or the flange. Another simple option are the attachable torque plates. Here, the torque is supported only via one point and is, among other things, suitable for shaft-mounted gearboxes. The supplied rubber buffers provide for a low-tension installation and absorb slight shocks. The torque plates are available in two versions, for being installed at the existing threaded pitch circle or for the foot at the gearbox.

In addition, torque support for the g500-B45 gearbox can be effected via the holding fixture of the housing, which is integrated on both sides, by means of a rubber buffer. The rubber buffers can be ordered optionally.

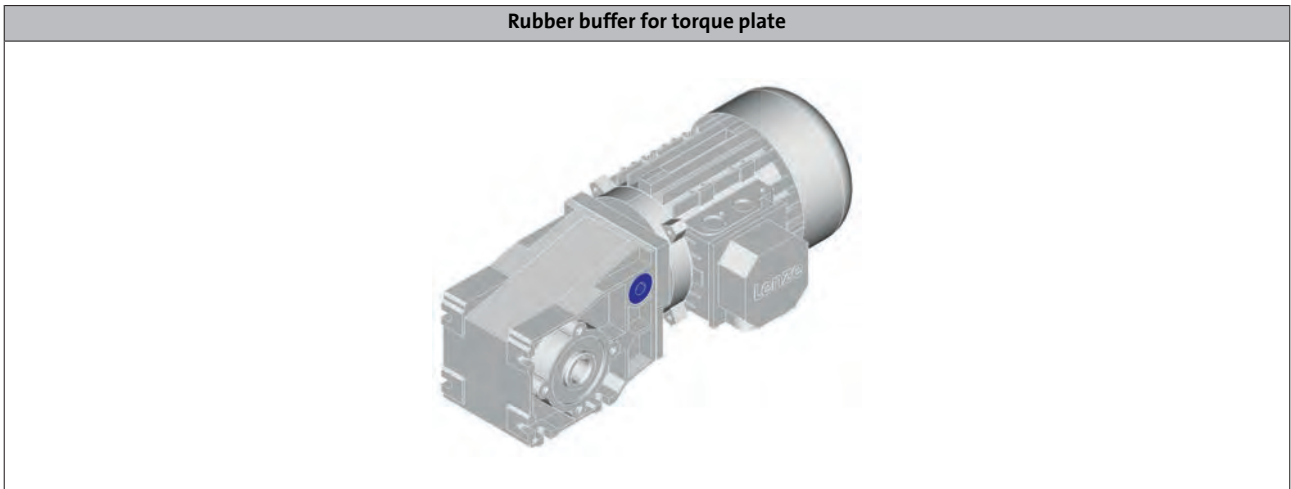
Torque plate on threaded pitch circle



Torque plate at housing foot



Rubber buffer for torque plate



g500-B bevel geared motors

Product extensions



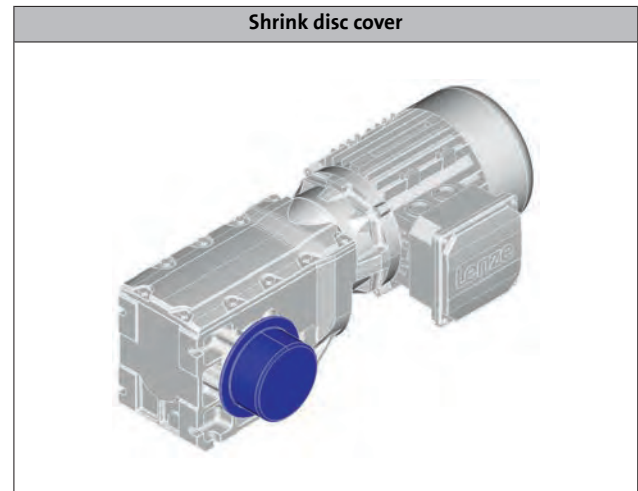
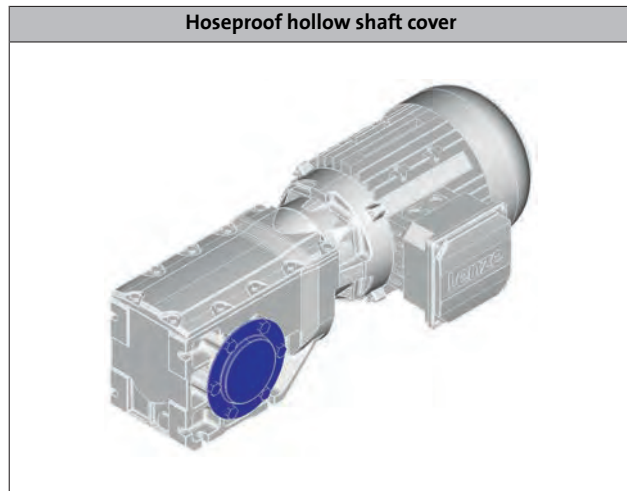
Overview

Shaft cover

The hoseproof hollow shaft cover protects the hollow shaft from objects falling in. It is sealed by a flat gasket between cover and housing. Thus, the hollow shaft is protected from dust and water jets.

The cover is loosely enclosed and can be mounted on both sides of the hollow shaft bore.

The optional shrink disc cover is provided for the shrink disc to be protected from contact.



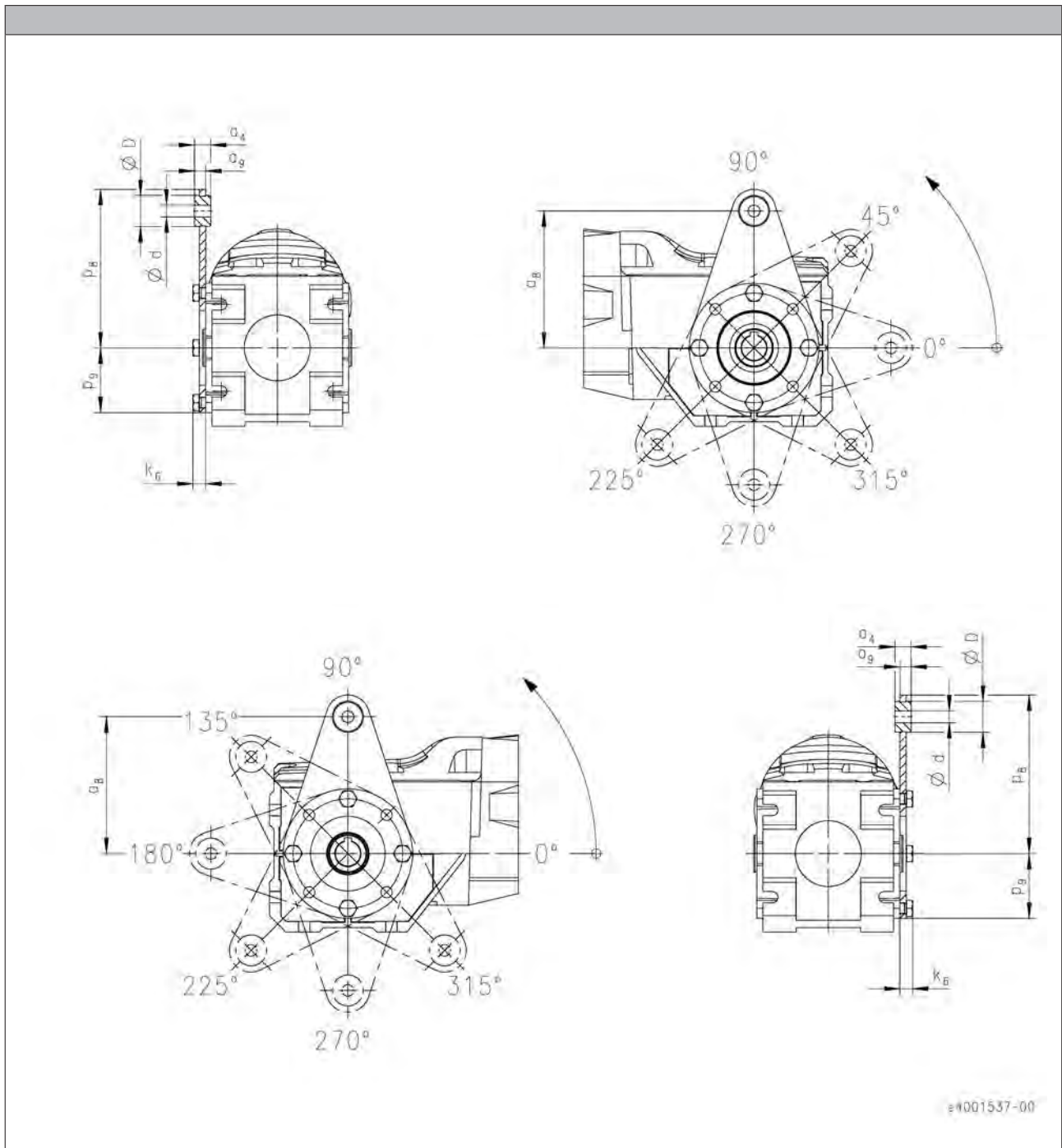
g500-B bevel geared motors

Product extensions



Torque plate

Torque plate on threaded pitch circle



Product	Dimensions								Mass
	a ₄	a ₈	a ₉	d	D	p ₈	p ₉	k ₆	m
	[mm]	[mm]	[mm]	[mm]	[mm]	[mm]	[mm]	[mm]	[kg]
g500-B45	12.0	100	8.0	8.0	20.0	115	42.0	9.0	0.3
g500-B110	13.0	110	9.0	10.0	25.0	128	54.0	11.0	0.5

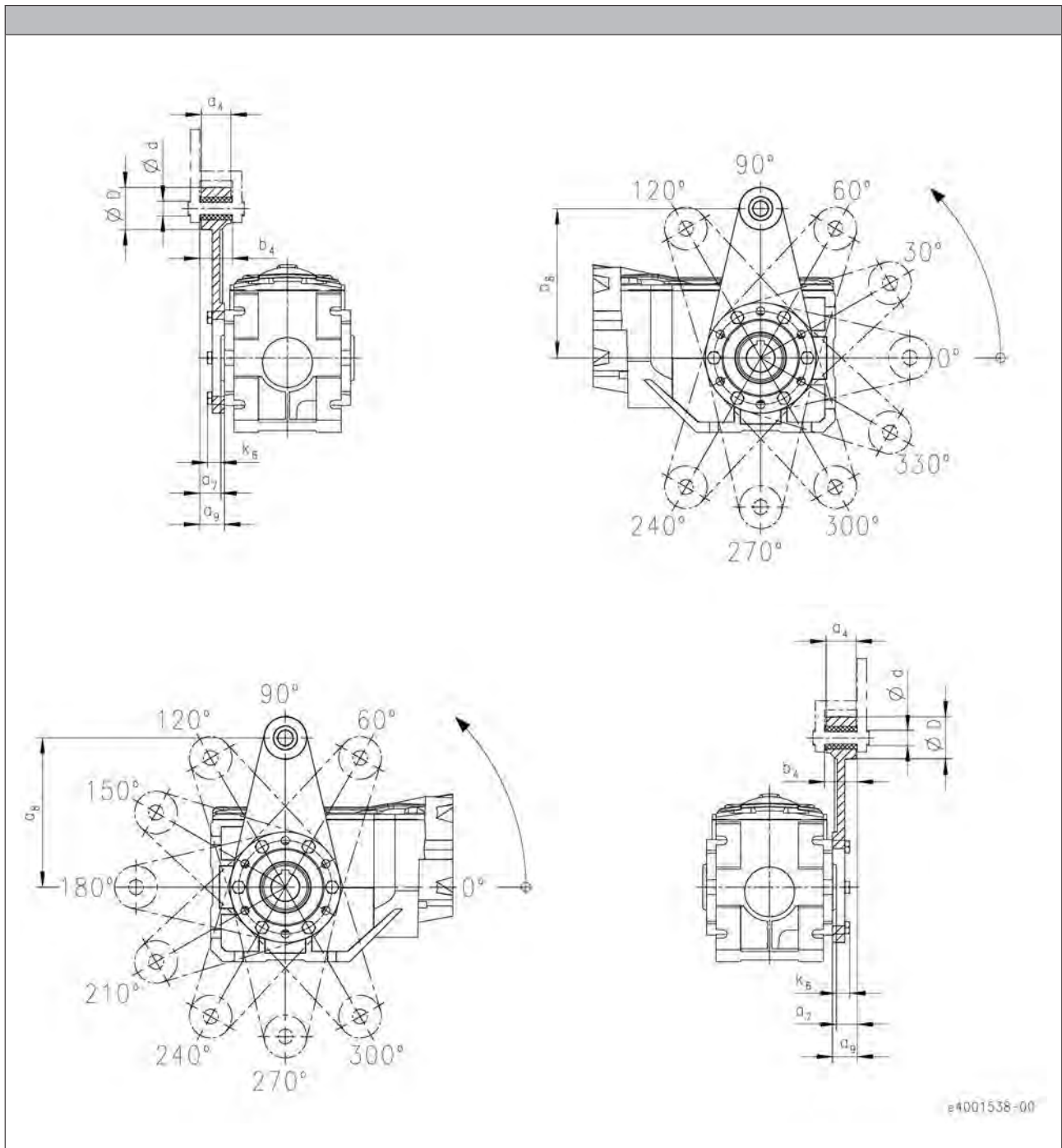
g500-B bevel geared motors

Product extensions



Torque plate

Torque plate on threaded pitch circle



6.5

Product	Dimensions								Mass
	a ₄	a ₇	a ₈	a ₉	b ₄	d	D	k ₆	m
	[mm]	[mm]	[mm]	[mm]	[mm]	[mm]	[mm]	[mm]	[kg]
g500-B240	34.0	23.5	160	27.5	38.5	16.0	45.0	15.0	1.3
g500-B450	40.0	29.0	200	32.0	44.5	20.0	50.0	18.0	2.5
g500-B600	38.0	26.5	200	31.5	40.0	20.0	50.0	19.0	2.5

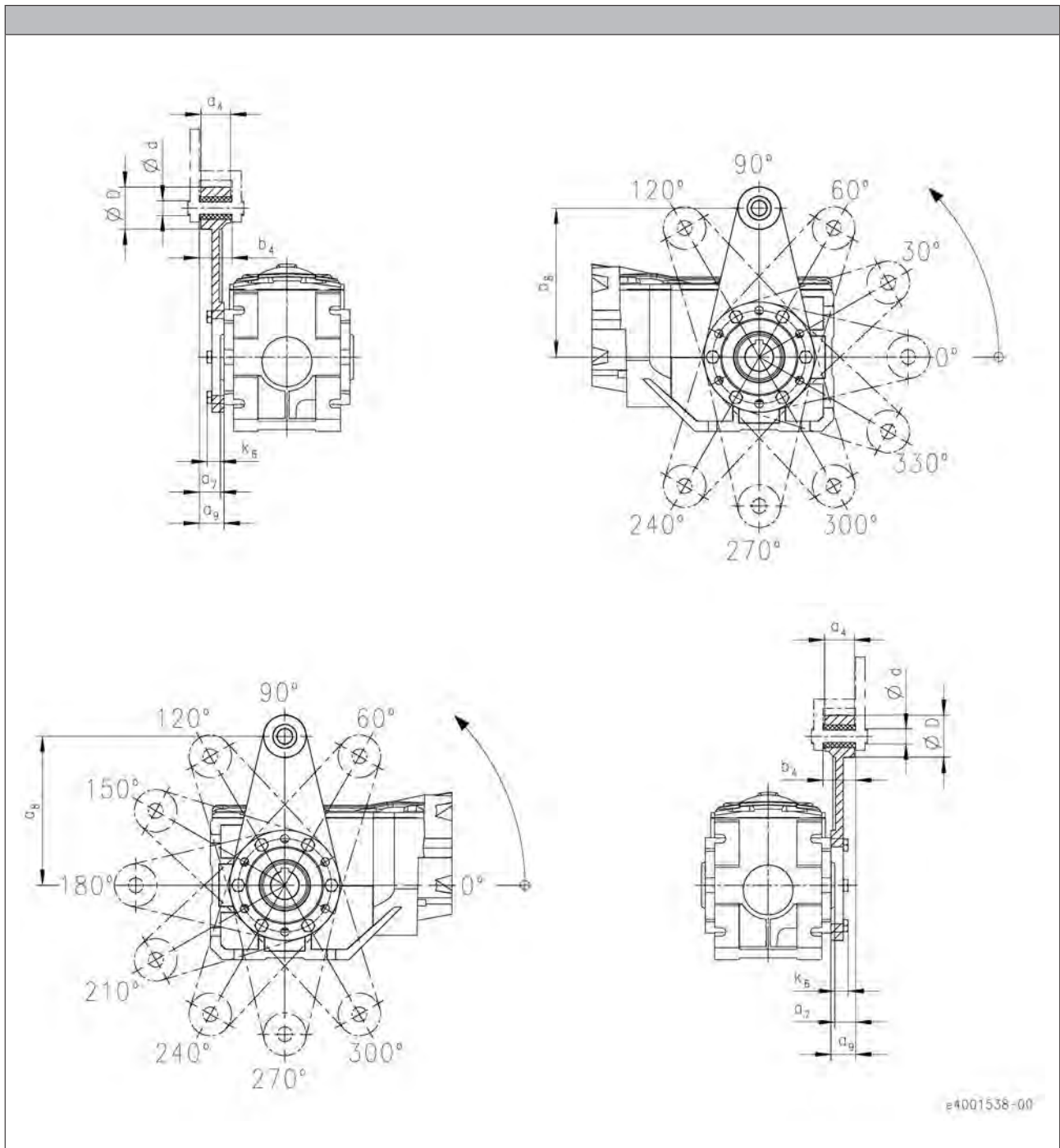
g500-B bevel geared motors

Product extensions



Torque plate

Torque plate on threaded pitch circle



Product	Dimensions								Mass
	a ₄	a ₇	a ₈	a ₉	b ₄	d	D	k ₆	m
	[mm]	[mm]	[mm]	[mm]	[mm]	[mm]	[mm]	[mm]	[kg]
g500-B820	38.0	28.0	200	31.5	40.0	20.0	50.0	20.5	2.5
g500-B1500	44.0	32.0	250	36.0	46.0	25.0	65.0	24.0	4.5

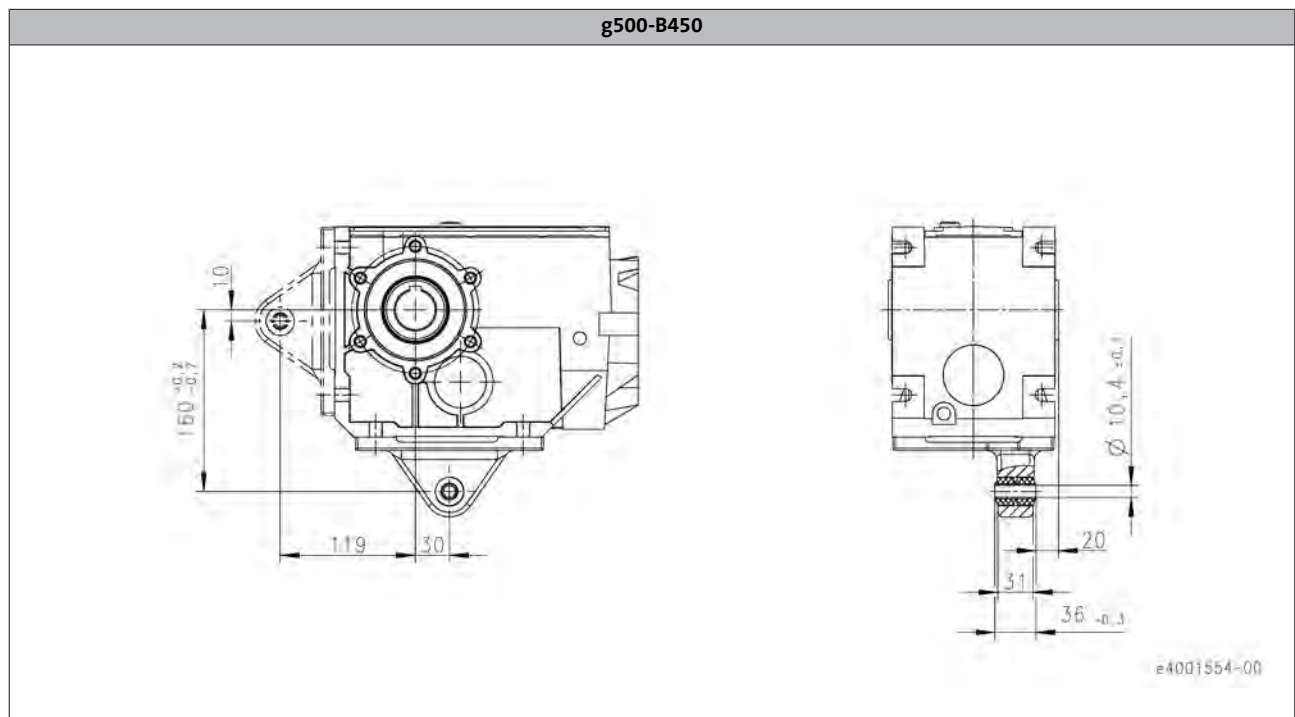
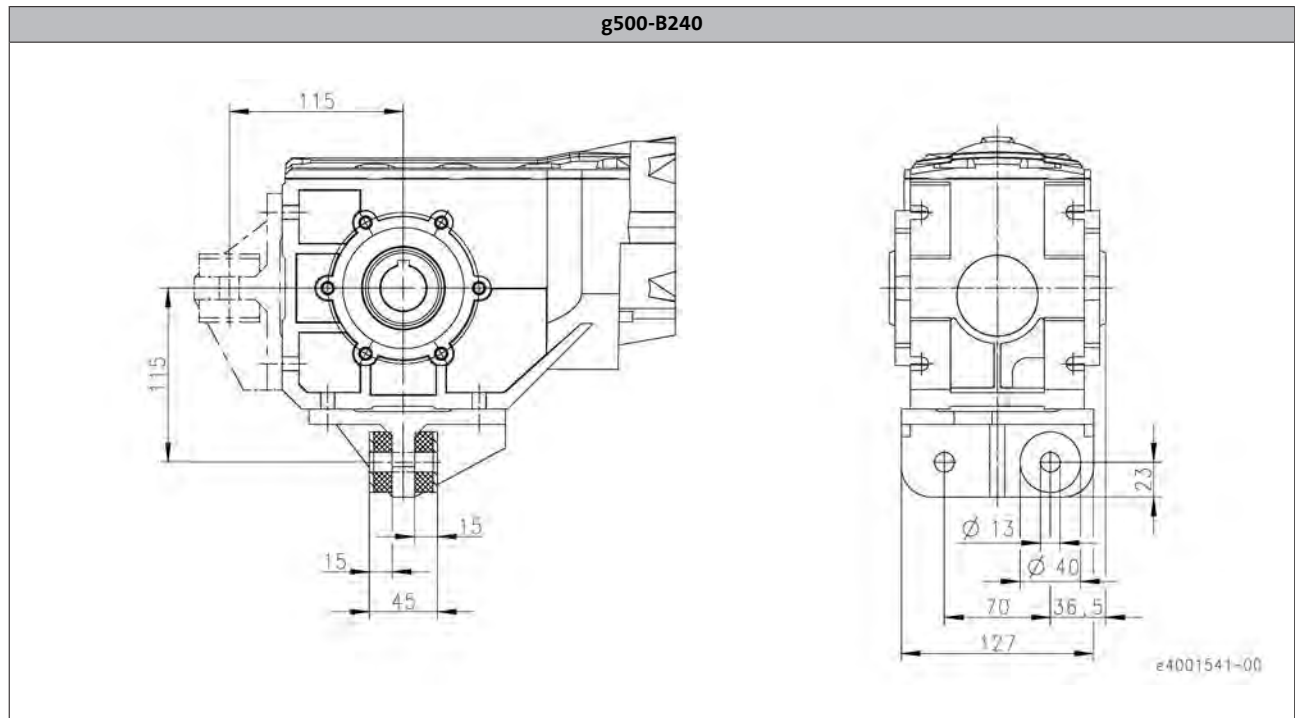
g500-B bevel geared motors

Product extensions



Torque plate

Torque plate at housing foot



6.5

Product	Mass
	m
	[kg]
g500-B240	2.4
g500-B450	1.1

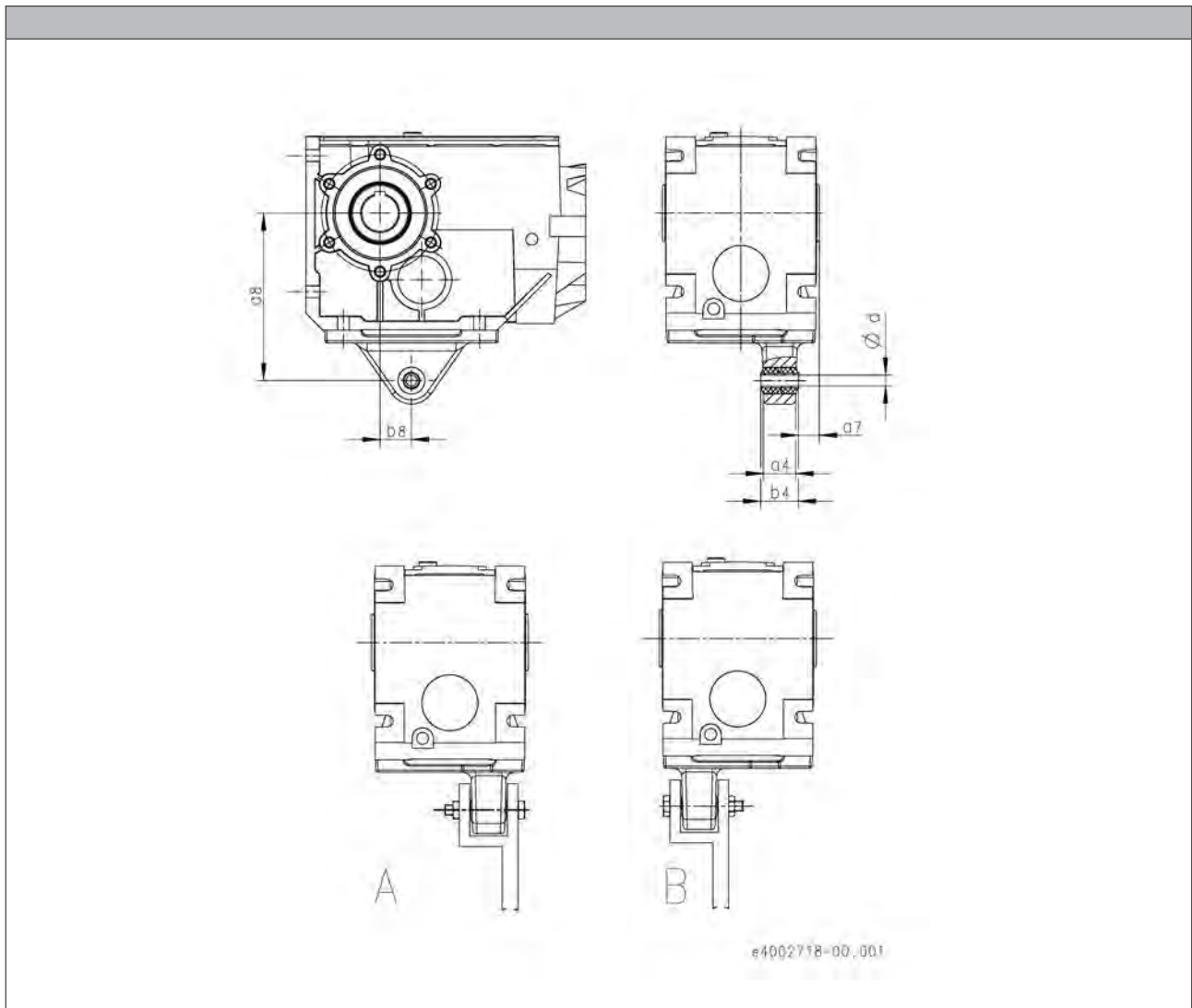
g500-B bevel geared motors

Product extensions



Torque plate

Torque plate at housing foot



Product	Dimensions						Mass m
	d [mm]	a ₈ [mm]	b ₈ [mm]	a ₄ [mm]	b ₄ [mm]	a ₇ [mm]	
g500-B600	16.4	192	40.0	55.0	60.0	18.0	2.8
g500-B820	16.4	200	45.0	55.0	60.0	25.0	3.0
g500-B1500	16.4	250	52.5	55.0	60.0	25.0	4.3
g500-B2700	25.0	300	60.0	72.0	80.0	30.0	10.0
g500-B4300	25.0	350	70.0	92.0	100	40.0	13.0
g500-B8000	40.0	450	74.0	80.0	88.0	57.0	15.0
g500-B13000	40.0	550	60.0	80.0	88.0	7.00	25.0
g500-B20000	70.0	700	50.0	111	120	2.00	64.0

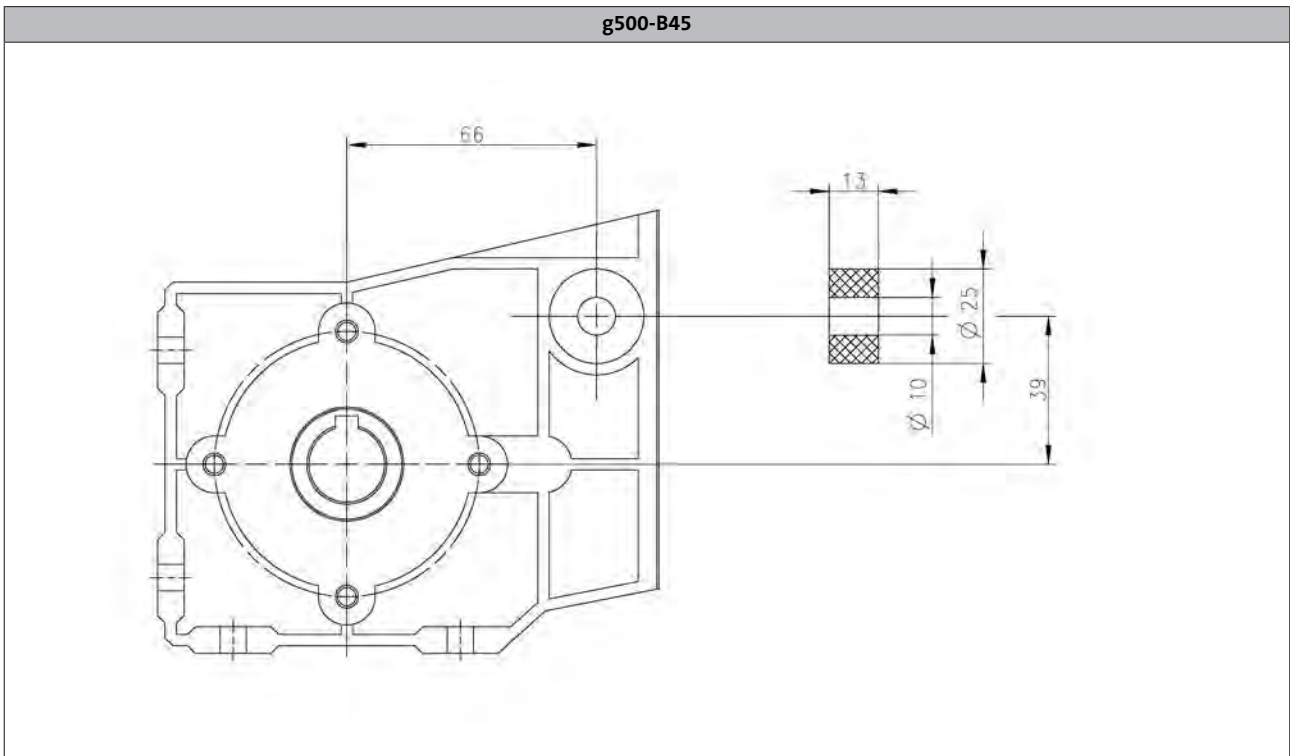
g500-B bevel geared motors

Product extensions



Torque plate

Rubber buffer for torque plate



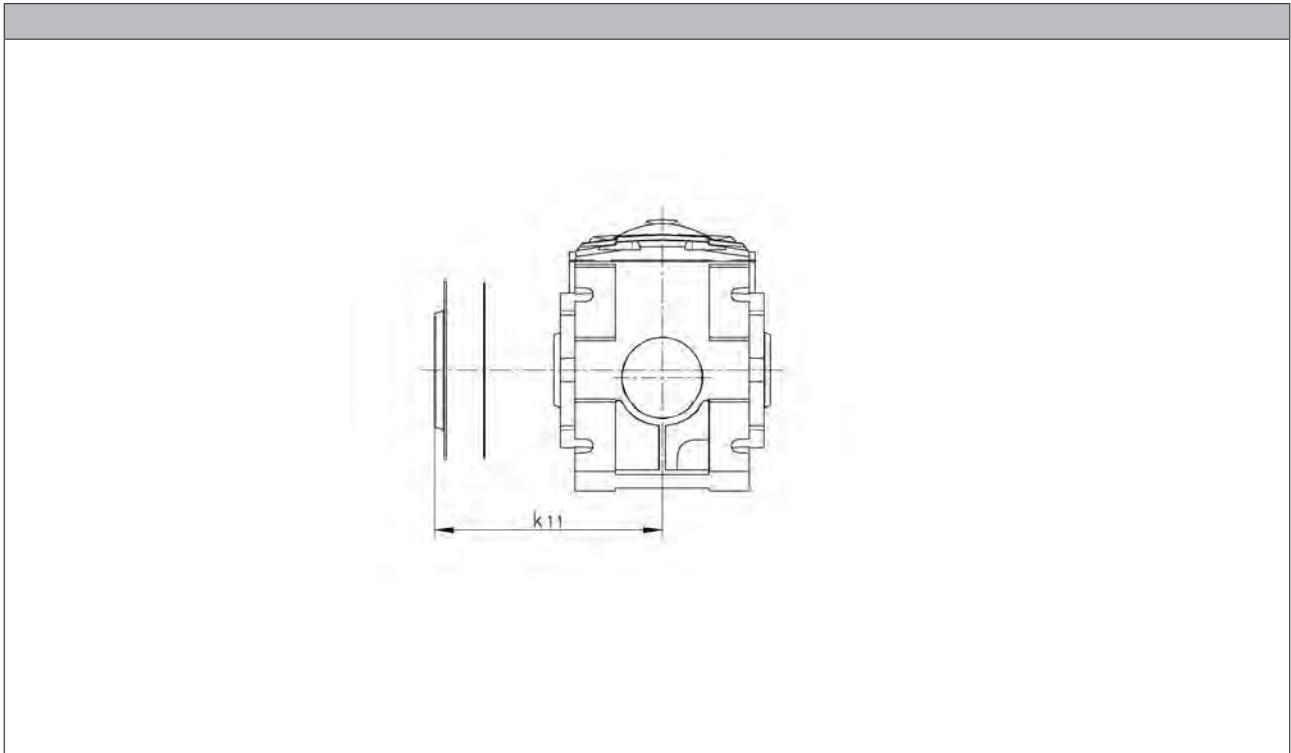
g500-B bevel geared motors

Product extensions



Shaft cover

Hoseproof hollow shaft cover



Product	Dimensions	Mass
	k_{11}	m
	[mm]	[kg]
g500-B45	55.0	0.1
g500-B110	65.0	0.1
g500-B240	75.0	0.1
g500-B450	79.5	0.2
g500-B600	90.0	0.3
g500-B820	97.0	0.3
g500-B1500	113	0.6
g500-B2700	131	0.6
g500-B4300	161	0.8
g500-B8000	250	0.5
g500-B13000	313	0.6
g500-B20000	372	0.9

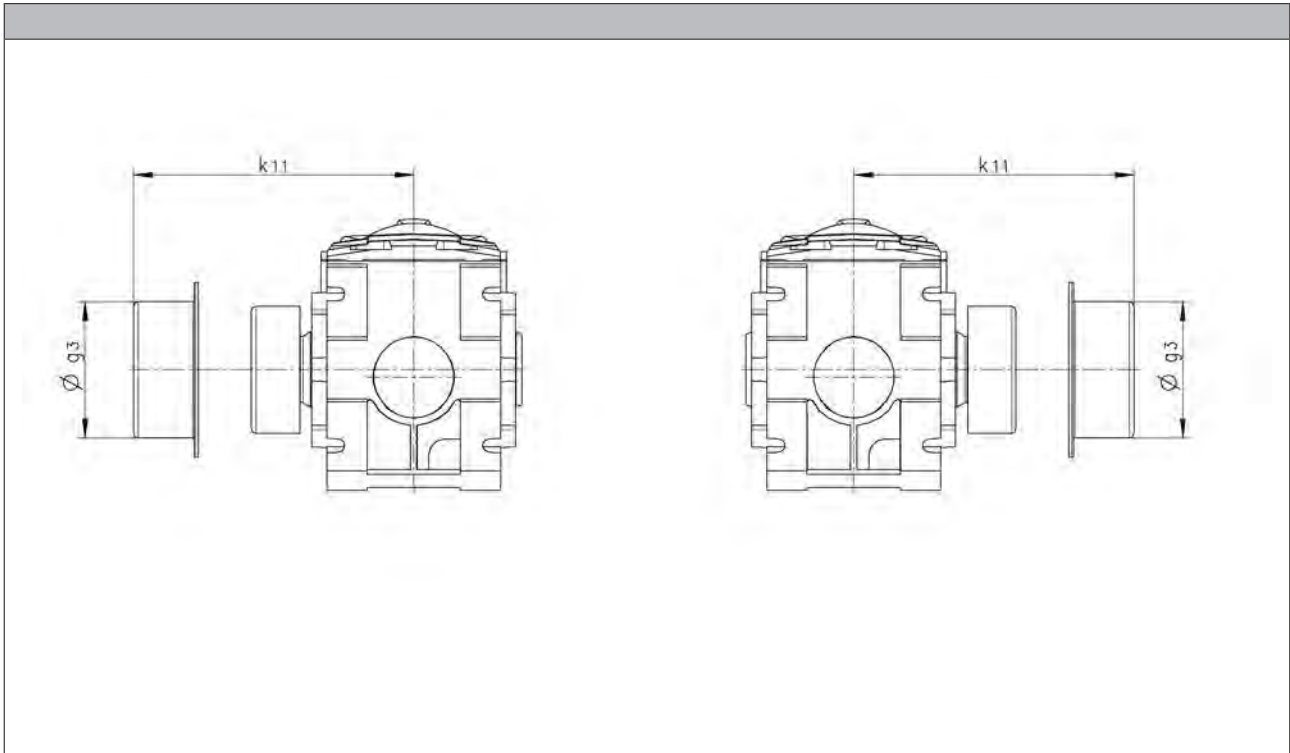
g500-B bevel geared motors

Product extensions



Shaft cover

Shrink disc cover



Product	Dimensions		Mass
	g_3 [mm]	k_{11} [mm]	m [kg]
g500-B45	65.0	87.5	0.1
g500-B110	79.0	97.5	0.1
g500-B240	90.0	111	0.1
g500-B450	90.0	108	0.1
g500-B600	110	124	0.1
g500-B820	110	131	0.1
g500-B1500	128	148	0.2
g500-B2700	155	171	0.3
g500-B4300	188	205	0.4
g500-B8000	218	250	0.5
g500-B13000	258	313	0.6
g500-B20000	310	372	0.9

g500-B bevel geared motors

Appendix



Gearbox code

Example		G	50	A	B	045	M	H	B	R	2	C	1A
Meaning	Variant												
Product family		G	50										
Generation				A									
				B									
Gearbox type	Bevel gearbox				B								
Output torque	45 Nm					045							
	110 Nm					111							
	240 Nm					124							
	450 Nm					145							
	600 Nm					160							
	820 Nm					182							
	1500 Nm					215							
	2700 Nm					227							
	4300 Nm					243							
	8000 Nm					280							
	13000 Nm					313							
20000 Nm					320								
Type of construction	Geared motor						M						
	Gearboxes						N						
Shaft type	Solid shaft with feather key							V					
	Hollow shaft with keyway							H					
	Hollow shaft with shrink disc							S					
Housing type	Foot mounting + centering								A				
	Foot mounting								B				
	Centering								C				
Flange mounting	Without flange									R			
	Flange with through holes									k			
Number of stages	2-stage										2		
	3-stage										3		
Motor mounting	Integrated											C	
	IEC motor											N	
	NEMA motor											A	
	Servo motor											S	
Drive size												1A	
												...	
												□H	

g500-B bevel geared motors

Appendix



Motor code

Example	M	D	E	MA	XX	063	-	4	2	C1	C
Meaning	Variant		Motor code								
Product family	M										
Efficiency class		D									
Cooling			S								
			E								
			F								
Internal key				MA							
Built-on accessories					XX						
					BR						
					BS						
					BI						
					BA						
					RS						
					IG						
					AG						
Size						063					
						071					
Overall length								0			
								1			
								2			
								3			
								4			
Number of pole pairs									2		
									1		
Internal key										C1	
Approval											C
											U
											3

g500-B bevel geared motors

Appendix



Motor code

Example		M	24	A	P	080	M	04	5	E	0	0	W	T	
Meaning	Variant	Motor code													
Product family		M	24												
Generation				A											
Efficiency class	Premium - IE3				P										
Size						080									
						090									
						100									
						112									
						132									
						160									
						180									
Overall length	Medium						M								
	Long						L								
	Very long						V								
Number of poles	4-pole							04							
Degree of protection	IP5□								5						
	IP6□								6						
Cooling	Integral fan									E					
Brake attachment	Without brake										0				
	Spring-applied brake										F				
Actual value encoder	Without encoder											0			
Approval	CE												C		
	Without												N		
Design type	Internal key													T	