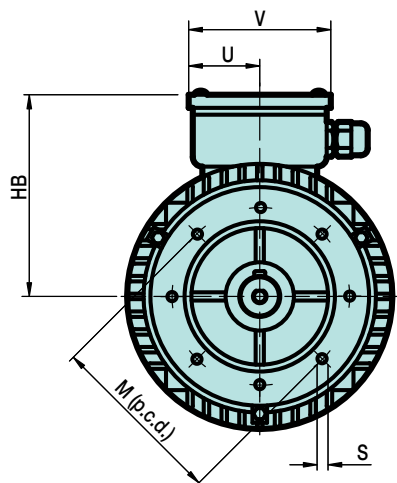
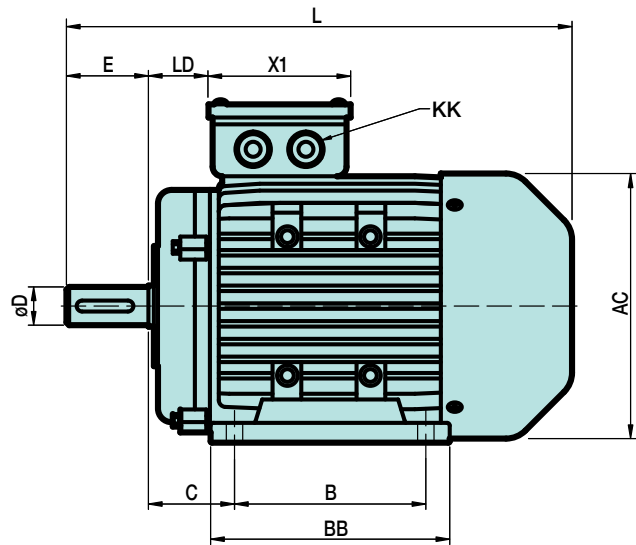
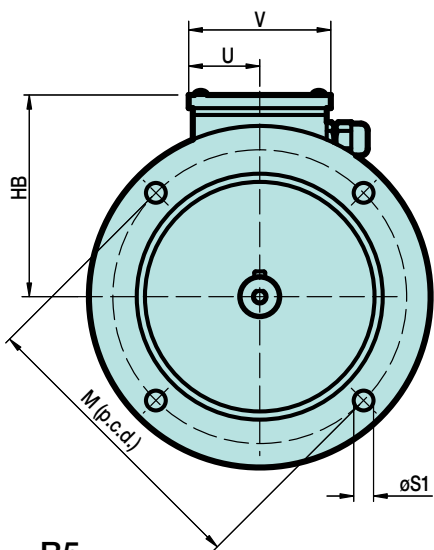
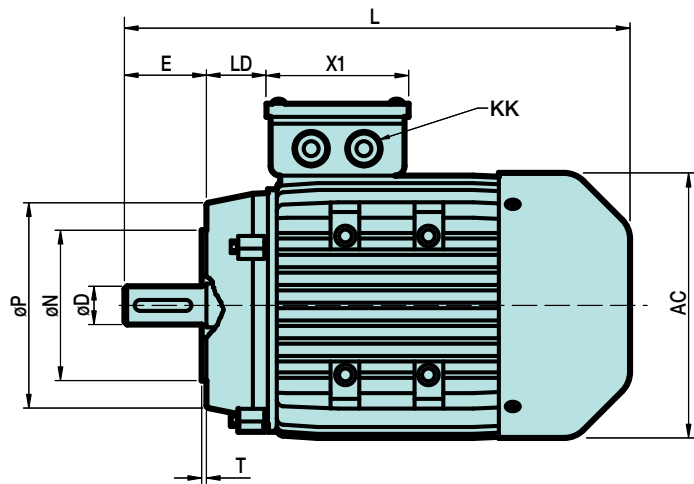


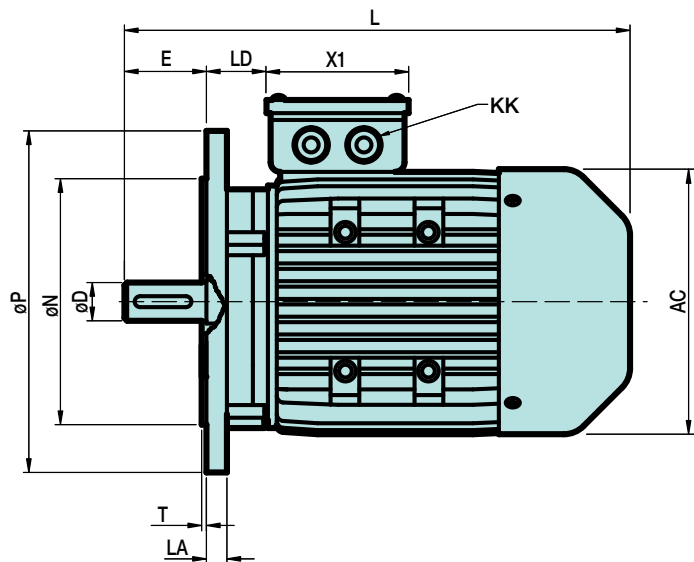
B3



B14



B5



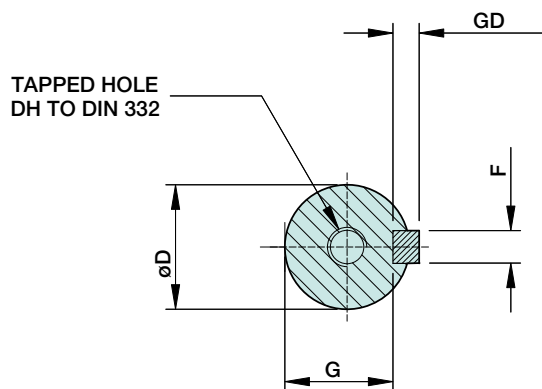
Lenze MDERA | 56 - 132 aluminium framed

Frame	General					Feet							Terminal box							
	ac	D	E	H	L	A	AA	AB	B	BB	C	HA	K	HB	HD	LD	X1	U	V	KK
056	112	9	20	56	170	90	23	115	71	88	36	7	5.8	100	156	23	80	40	80	M20x1.5
063	120	11	23	63	225	100	24	135	80	100	40	7	7.0	115	178	29	87	43.5	87	M20x1.5
071	136	14	30	71	250	112	26	150	90	110	45	8	7.0	120	191	37	87	43.5	87	M20x1.5
080	155	19	40	80	295	125	35	165	100	125	50	9	10.0	145	225	34.5	87	43.5	87	M25x1.5
090-1x 090-3x	175	24	50	90	315 340	140	37	180	100 125	125 150	56	10	10.0	155	245	33	106	53	87	M25x1.5
100	195	28	60	100	385	160	40	205	140	172	63	11	12.0	180	280	30.5	106	53	106	M32x1.5
112	220	28	60	112	400	190	41	230	140	181	70	12	12.0	190	302	37.5	114	57	114	M32x1.5
132-1x 132-21	260	38	80	132	470	216	51	270	140	186	89	15	12.0	210	342	46	114	57	114	M32x1.5
132-22 132-23 132-33	260	38	80	132	510	216	51	270	178	224	89	15	12.0	210	342	46	114	57	114	M32x1.5

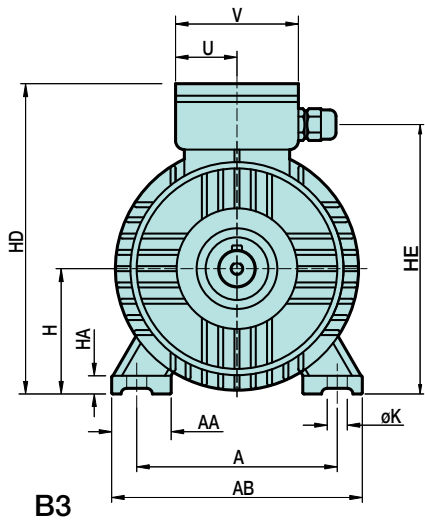
Frame	B5 mounting						B14 mounting					Alternative B14 mounting*				
	M	N	P	S	T	LA	M	N	P	S	T	M	N	P	S	T
056	100	80	120	7	3	8	65	50	80	M5	2.5	85	70	105	M6	2.5
063	115	95	140	10	3	10	75	60	90	M5	2.5	85	70	105	M6	2.5
071	130	110	160	10	3.5	10	85	70	105	M6	2.5	115	95	140	M8	3.0
080	165	130	200	12	3.5	12	100	80	120	M6	3.0	130	110	160	M8	3.5
090	165	130	200	12	3.5	12	115	95	140	M8	3.0	130	110	160	M8	3.5
100	215	180	250	15	4	13	130	110	160	M8	3.5	165	130	200	M10	3.5
112	215	180	250	15	4	14	130	110	160	M8	3.5	165	130	200	M10	3.5
132	265	230	300	15	4	14	165	130	200	M10	3.5	215	180	250	M12	4.0

* available on request

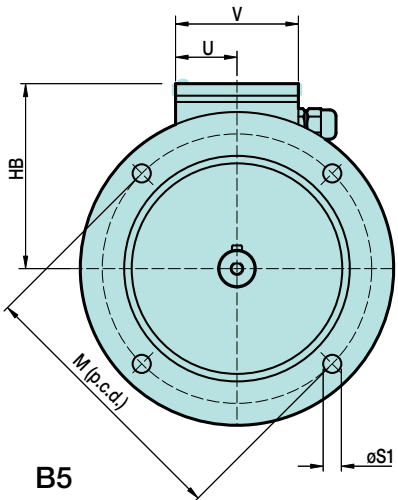
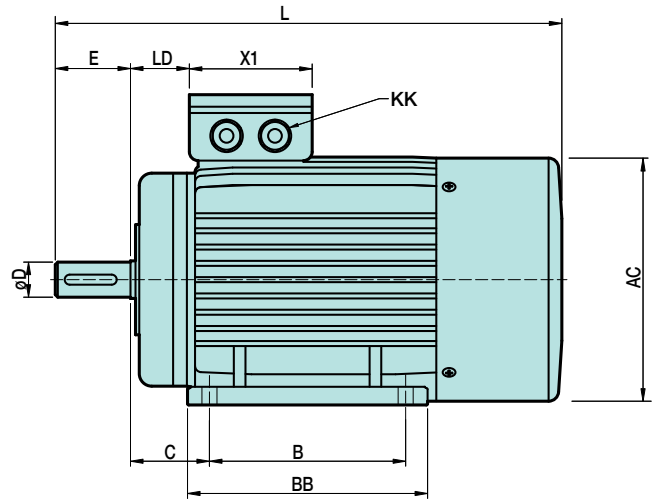
Frame	Shaft and keyway					
	D	E	F	G	GD	DH
056	9	20	3	7.2	3	M4x12
063	11	23	4	8.5	4	M4x12
071	14	30	5	11	5	M5x12
080	19	40	6	15.5	6	M6x16
090	24	50	8	20.0	7	M8x19
100	28	60	8	24.0	7	M10x22
112	28	60	8	24.0	7	M10x22
132	38	80	10	33.0	8	M12x28



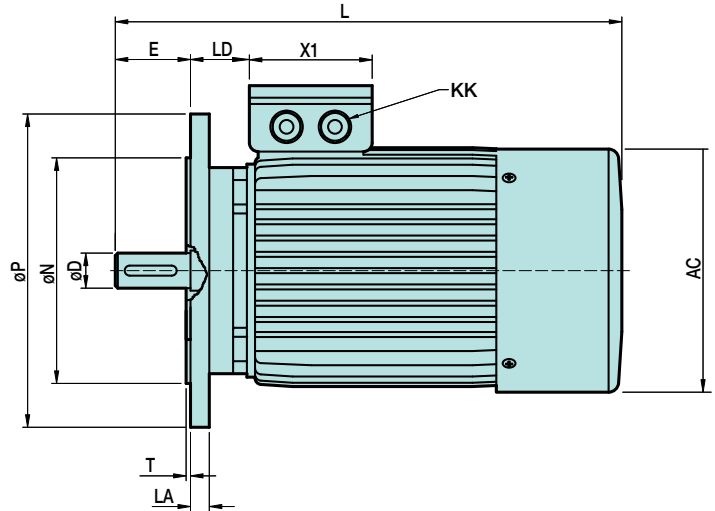
Lenze MDERA | 160 - 355 cast iron framed



B3



B5



Lenze MDERA | 160 - 355 cast iron framed

Frame	General			Feet								Terminal box							
	ac	H	L	A	AA	AB	B	BB	C	HA	K	HB	HD	HE	LD	X1	U	V	KK
160-11, 21			615				210	260		20				132					
160-22, 23	315	160	615	254	65	320	210	260	108	20	15	260	420	360	135	152	81	162	M40x1.5
160-31			670				254	304		22				132					
160-32, 32			670				254	304		22				135					
180-21			700				241	311		25				138.5					
180-22	355	180	740	279	70	355	279	349	121	28	15	275	455	395	136.5	152	81	162	M40x1.5
180-32, 33			740				279	349		28				139.5					
200-31, 41			770				305	369	133	30	19	305	505	440	149.5	180	105	210	M50x1.5
200-32, 33, 43	397	200	770	318	70	395	305	369	133	30	19	305	505	440	158.5				
225-12			815				286	368						156.5					
225-21	445	225	820	356	75	435	311	404	149	28	19	330	555	490	154.5	180	105	210	M50x1.5
225-22, 23			845				311	404						156.5					
250-21			910				349	445	168	30	24	365	615	545	170.5	218	124	248	M63x1.5
250-22, 23	485	250	910	406	80	490	349	445	168	30	24	365	615	545	172.5				
280-11			985				368	485						170.5					
280-12, 13			985				368	485						179.0					
280-21	547	280	1035	457	85	550	419	536	190	35	24	400	680	615	170.5	218	124	248	M63x1.5
280-22, 23			1035				419	536						179.0					
315-11			1160				406	570											
315-12, 13			1270				406	570											
315-21			1190				457	680											
315-22, 23	620	315	1300	508	120	635	457	680	216	45	28	530	845	710	211	280	160	320	M63x1.5
315-31, 41			1190				508	680											
315-32, 42, 33, 43			1300				508	680											
355-21			1500				560	760											
355-13, 22, 23			1530				560	760											
355-31	698	355	1500	610	116	730	630	760	254	52	28	655	1010	825	234	330	190	380	M63x1.5
355-32, 33			1530				630	760											

Frame	B5 Mounting					
	M	N	P	S*	T	LA
160	300	250	350	19	5	15
180	300	250	350	19	5	15
200	350	300	400	18	5	17
225	400	350	450	19	5	20
250	500	450	550	19	5	22
280	500	450	550	19	5	22
315	600	550	660	24	6	22
355	740	680	800	24	6	25

- * 180-200 frame, 4 equispaced holes starting 45° from vertical
- * 225-355 frame, 8 equispaced holes starting 22.5° from vertical

Frame	Shaft and keyway					
	D	E	F	G	GD	DH
160	42	110	12	37	8	M16x36
180	48	110	14	42.5	9	M16x36
200	55	110	16	49	10	M20x42
225-21	55	110	16	49	10	M20x42
225-12, 22, 23	60	140	18	53	11	M20x42
250	60	140	18	53	11	M20x42
250-22, 23	65	140	18	53	12	M20x42
280-11, 21	65	140	18	58	11	M20x42
280-12, 21, 13, 23	75	140	20	67.5	14	M20x42
315-11, 21, 41	65	140	18	58	11	M20x42
315-12, 22, 32, 42	80	170	22	71	14	M20x42
355-21, 31	75	140	20	67.5	12	M20x42
355-22, 32, 13, 23, 33	95	170	25	86	16	M20x42

