



IE1 & IE2

Reseller in Norway:
DtC Trading as
www.dtc.no

Flameproof motors



MOTORS FOR POTENTIALLY EXPLOSIVE ATMOSPHERES

“Ex” Protection Type	Ex nA II T5		Ex nA II T4												
	Exd IIC T5 Gb		Exd IIC T4 Gb or Exde IIC T4 Gb												
Frame Size	63	71	80	90	100	112	132	160	180	200	225	250	280	315	355
VOLTAGE															
SPEED	750			1000				1500				3000			
MOTOR TYPE	RATED POWER (kW)														
ASA flameproof enclosure	0.09 ... 200			0.18 ... 250				0.12 ... 315				0.18 ... 315			
ASA with brake	0.09 ... 45			0.18 ... 55				0.12 ... 90							
ASNA non-sparking	0.18 ... 200			0.37 ... 250				0.55 ... 315				0.75 ... 315			
ASA forced-ventilation	0.37 ... 200			0.75 ... 250				1.1 ... 315				1.5 ... 315			

ASA – flameproof enclosure



ASA with brake



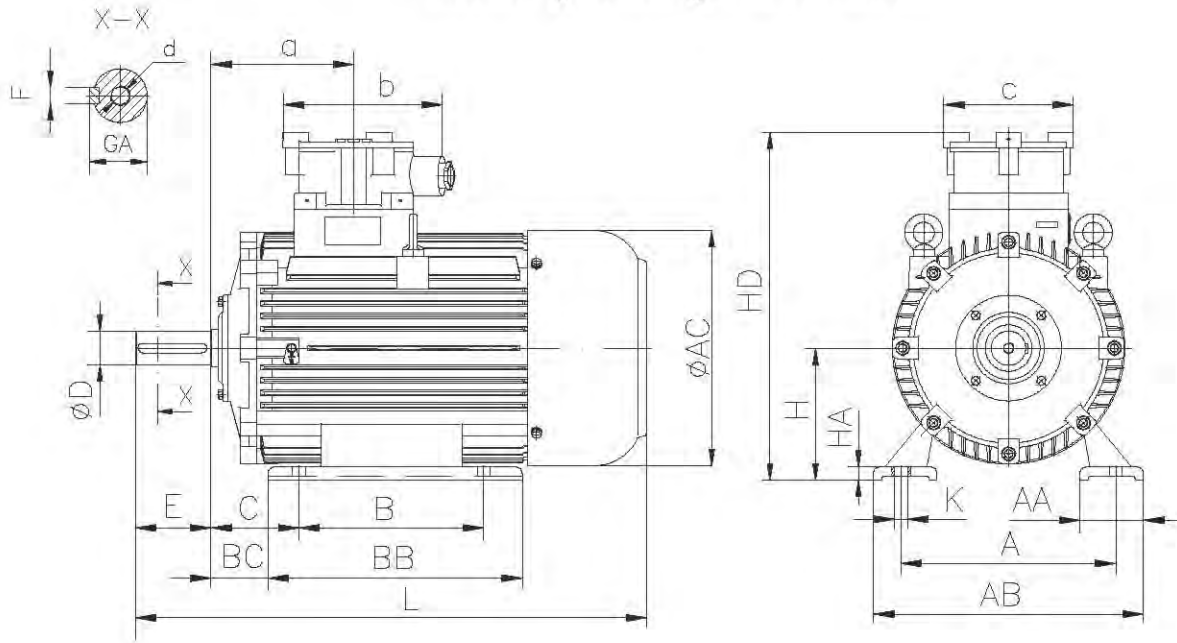
ASNA non-sparking



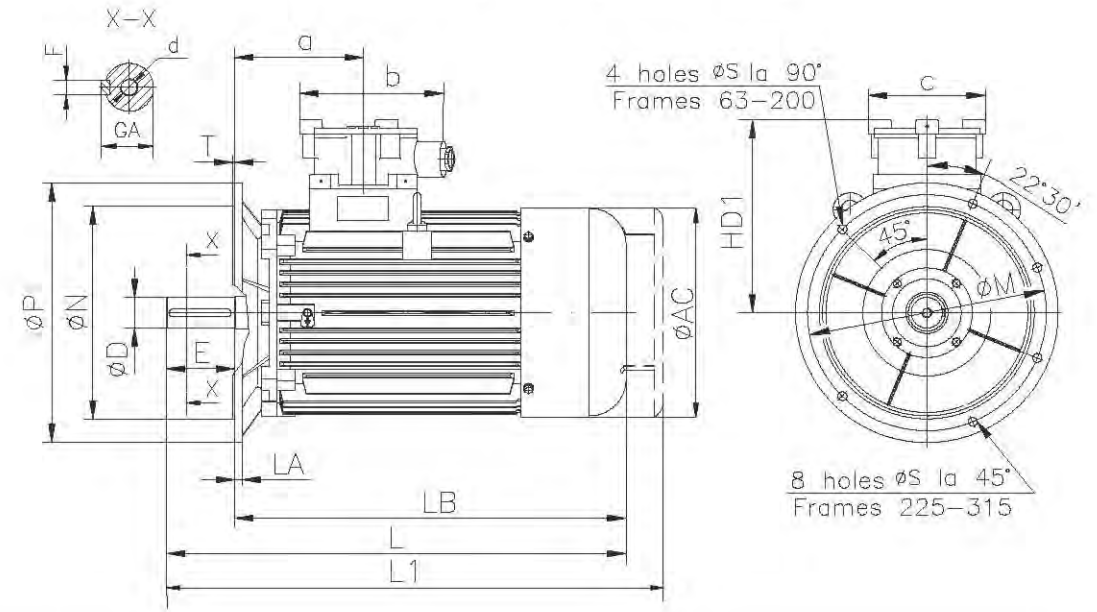
ASA – forced ventilation



Mounting arrangement IMB3



Mounting arrangement IMB5



Gabarit Frame size	Dimensiuni (mm) – Dimensions (mm)																																										
	Montaj pe talpi Foot mounting					Montaj pe flansa Flange mounting					Capat de arbore DE Shaft extension					HD	L1		L																								
	A	B	C	H	K	N	M	P	S	T	D		E		F		GA		d			ASA		ASA with brake		ASNA		ASA-forced ventilation															
											2p=2	2p>2	2p=2	2p>2	2p=2	2p>2	2p=2	2p>2		2p=2	2p>2	2p=2	2p>2	2p=2	2p>2	2p=2	2p>2	2p=2	2p>2														
63	100	80	40	63 ^{-0.5}	7	95j6	115	140	10	3	11j6	23	4h9	12.5	M4	200	273	259	404	258	—	—	—	—	—	—	—	—															
71	112	90	45	71 ^{-0.5}	7	110j6	130	160	10	3.5	14j6	30	5h9	16	M5	222	309	295	440	295	—	—	—	—	—	—	—	—															
80	125	100	50	80 ^{-0.5}	10	130j6	165	200	12	3.5	19j6	40	6h9	21.5	M6	254	346	315	511	287	—	—	—	—	—	—	—	—															
90S	140	100	56	90 ^{-0.5}	10	130j6	165	200	12	3.5	24j6	50	8h9	27	M8	272	392	361	559	339	627	—	—	—	—	—	—	—															
90L		125																																									
100LW	160	140	63	100 ^{-0.5}	12	180j6	215	250	14.5	4	28j6	60	8h9	31	M10	307	436	412	625.5	387	678	—	—	—	—	—	—	—	—														
100LX																	461	437	650.5											703													
112M	190	140	70	112 ^{-0.5}	12	180j6	215	250	14.5	4	28j6	60	8h9	31	M10	332	474	456	671.5	406	722	—	—	—	—	—	—	—	—														
132S	216	140	89	132 ^{-0.5}	12	230j6	265	300	14.5	4	38j6	80	10h9	41	M12	400	544	523	765	496	789	—	—	—	—	—	—	—															
132M		178															591	570	812										836														
160M	254	210	108	160 ^{-0.5}	14.5	250j6	300	350	18.5	5	42k6	110	12h9	45	M16	471	713	660	904	630	945	—	—	—	—	—	—	—	—	—													
160L		254																																									
180M	279	241	121	180 ^{-0.5}	14.5	250j6	300	350	18.5	5	48k6	110	14h9	51.5	M16	507	788	730	1031	668	1015	—	—	—	—	—	—	—	—	—													
180L		279																		708																							
200L	318	305	133	200 ^{-0.5}	18.5	300j6	350	400	18.5	5	55m6	110	16h9	59	M20	573	849	803	1101	780	1095	—	—	—	—	—	—	—	—	—													
225S	356	286	149	225 ^{-0.5}	18.5	350j6	400	450	18.5	5	—	60m6	—	140	—	18h9	—	64	M20	635	—	961	—	915	1216	—	840	—	1250	—	—												
225M		311									55m6	60m6	110	140	16h9	18h9	59	64			934	961	885	915		835	865	1220	1250														
250M	406	349	168	250 ^{-0.5}	24	450j6	500	550	18.5	5	60m6	65m6	140	18h9	69	64	M20	660	1011	1011	965	965	1264	925	925	1300	1300	—	—	—	—												
280S	457	368	190	280 ^{-0.1}	24	450j6	500	550	18.5	5	65m6	75m6	140	18h9	20h9	69	79.5	M20	758	1147	1147	1042	1042	1352	986	1375	1375	—	—	—	—												
280M		419																		1187	1187	1082	1082			1392	1415	1415															
315S	508	406	216	315 ^{-0.1}	28	550j6	600	660	24	6	65m6	80m6	140	170	18h9	22h9	69	85	M20	826	1290	1320	1190	1220	—	1105	1232	1565	1595	—	—	—	—										
315M		457																			826	1330	1360	1230				1260	—	1620	1650												
315MX		457									65m6	80m6	140	170	18h9	22h9	69	85			857	1320	1380	1220	1280	—	—	—	—	857	1390	1450	1290	1350	—	1135	1292	1650	1710	—	—	—	—
315LX		457																																				—	80m6	—	170	—	22h9
315LY		508									457	65m6	80m6	140	170	18h9	22h9	69			85	857	1390	1450	1290	1350	—	—	—	857	1390	1450	1290	1350	—	1135	1292	1720	1780	—	—	—	—
315LZ																																						508	—	80m6	—	170	—
355M		610									560	254	355 ^{-0.1}	28	680j6	740	800	24			6	70m6	100m6	140	210	20h9	28h9	74.5	106	M20M24	960	1630	1770	1490	1560	—	1370	1480	1955	2025	—	—	—
355L	610	630	254	355 ^{-0.1}	28	680j6	740	800	24	6	70m6	100m6	140	210	20h9	28h9	74.5	106	M20M24	960	1710	1850	1570	1640	—	1450	1560	2035	2105	—	—	—	—										