



Output range:

Explosion-proof direct current motors directive 94/9/EC ATEX as ignition protection category „d“ flameproof enclosure

CE 0044 II 2G Ex d (e) IIC T3 ... T6 Gb Typ 96 - 2230

CE 0044 II 2G Ex d (e) IIB T3 ... T6 Gb Typ 315.31 - 315.44

Enclosure : IP 44 - IP 55
Type d-G.. ZE : IC 411 - TEFC
Terminal box : Ex d or Ex e

Typical output in kW at T4 (110V - 630V)								
Type	1500 [min ⁻¹]	1750 [min ⁻¹]	2000 [min ⁻¹]	2500 [min ⁻¹]	3000 [min ⁻¹]	3500 [min ⁻¹]	J [kgm ²]	Weight [kg]
96	0,25	0,3	0,33	0,40	0,50	0,7	0,010	30
911	0,40	0,45	0,53	0,67	0,80	1,0	0,013	38
106	0,55	0,6	0,70	0,85	1,0	1,2	0,025	60
1011	0,95	1,1	1,2	1,5	1,7	1,9	0,029	70
1014	1,3	1,5	1,7	2,0	2,3	2,5	0,033	80
1018	1,6	1,8	2,0	2,5	2,9	3,0	0,038	83
1310	1,9	2,2	2,5	2,8	3,3	4,0	0,062	90
1315	2,9	3,3	3,5	4,3	5,3	6,0	0,080	115
1318	3,1	3,7	4,0	5,0	7,0	7,5	0,098	130
1712	5,8	6,2	7,2	8,5	10,0	10,0	0,270	240
1718	7,5	8,3	9,4	11,0	12,5	14,5	0,310	290
1724	9,8	11,1	12,5	14,0	16,5		0,350	310
1730	12,5	13,0	13,5	16,5	20,0		0,390	330
2220	17,0	18,0	20,0	23,0	26,0		0,726	360
2225	19,0	20,0	22,0	24,0	--		0,807	410
2230	21,0	23,0	26,0	29,0	--		0,887	470
315.31	45,0	55,0	58,0	--	--		4,210	1425
315.38	55,0	65,0	70,0	--	--		4,620	1520
315.44	65,0	75,0	80,0	--	--		5,010	1600

The indicated powers refer to the operating mode S1 at an ambient temperature up to 40°C and an altitude above 1000 m sea level.

Motor insulation class H, rise F acc. DIN EN 60034.

Usual IEC designs are available in compliance with DIN EN 60034 with standardized mounting dimensions according to EN 50347.

Other rating speed, power and voltage are available.

We shall welcome your inquiry.

Stand 01.04.2011



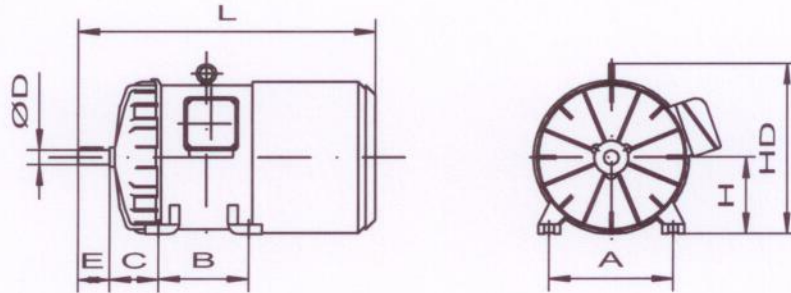
Dimensional drawing: Frame size 96 - 315.44

Explosion-proof direct current motors directive 94/9/EC ATEX as ignition protection category "d" flameproof enclosure

Type: d-G..ZE

Mounting: IM B3
IM 1001

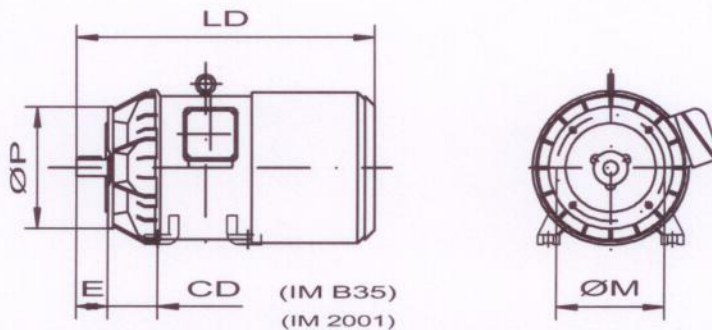
Cooling: IC 411



Type: d-G..FZE

Mounting: IM B5
IM 3001

Cooling: IC 411



Type	A	B	C	CD	D	E	H	HD	L	LD	M	P
											or	
96	140	110	80	80	24	50	90	303	416	416	FT85	105
911		110							466	466	130	160
106	190	90	115	146	24	50	112	266	516	547	130	160
1011		140							566	597		
1014		170							596	627	165	200
1018		170							636	667		
1310	220	240	73	88	28	60	150	330	599	614	165	200
1315		290							649	664		
1318		320							679	694		
1712	300	260	120	151	38	80	200	450	795	826	215	250
1718		320							855	886		
1724		380							915	946	265	300
1730		440							975	1006		
2220	340	430	97	127	48	110	225	501	977	1007	300	350
2225		480							1027	1057		
2230		530							1077	1107		
315.31	508	457	262,5	262,5	80	170	315	1148	1519	1519	600	660
315.38									1589	1589		
315.44									1649	1649		

This dimension sheet indicates standard dimensions. A detailed drawing is available on request.
Special requirements concerning electrical and mechanical design can be performed.
You also find these information on the Internet: www.w-winkelmann.com

Stand 01.04.2011