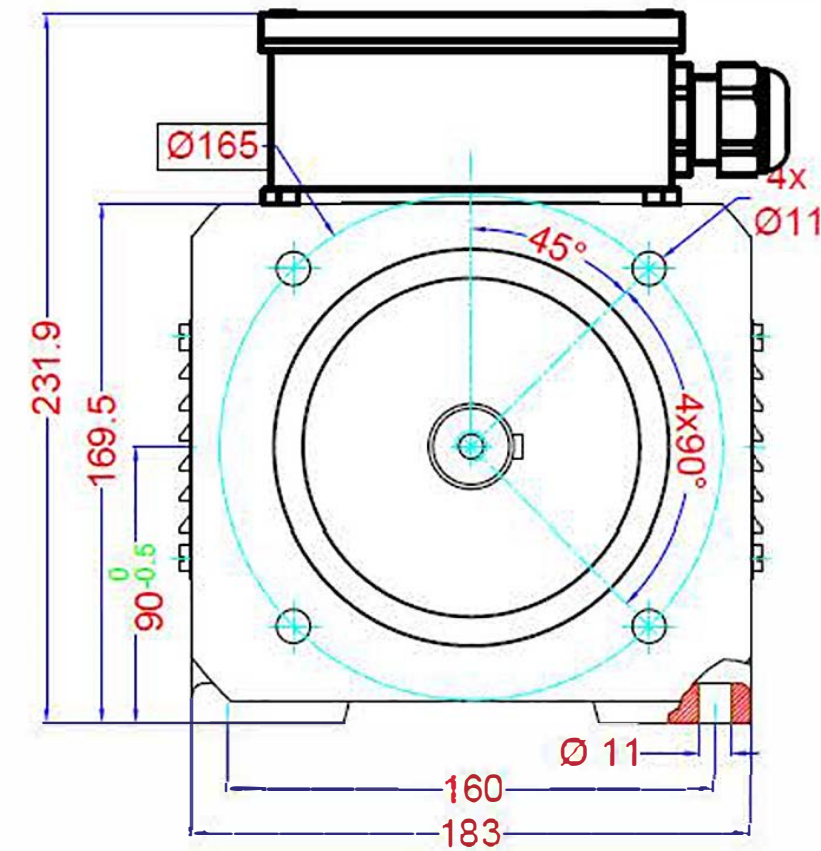
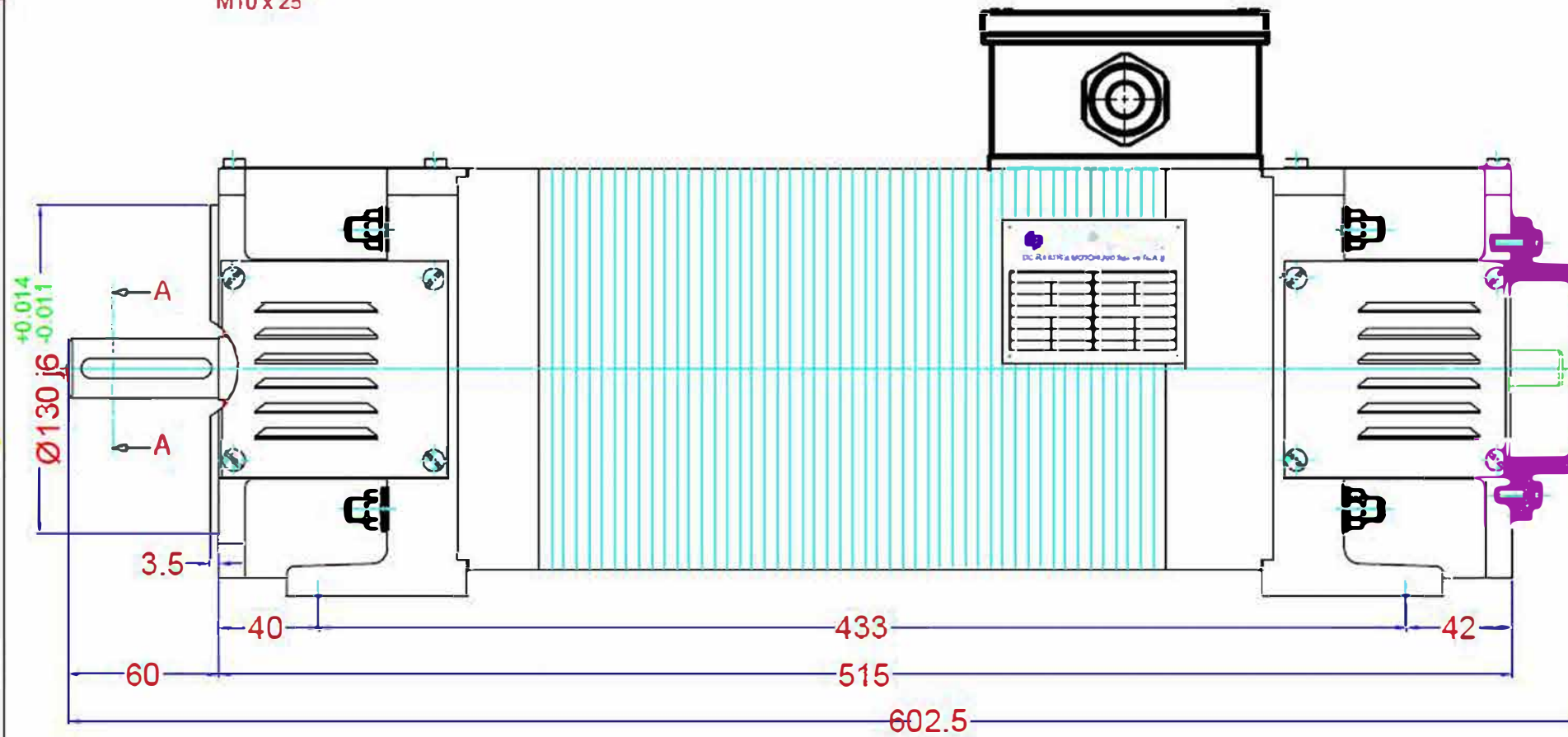
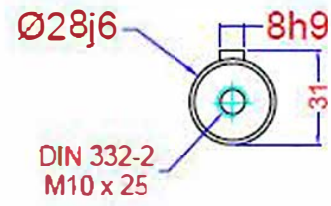


**A - A Section**



Part No 5 K 09 25 XXX M  
 Drawing No 5 K 09 25XXX R

Pro.Class	IP 23	Mounting	IM B35
Duty	S 1	Cooling	IC - 01
Ins.Class	F	Weight	~ 52 Kg.

Output	4.70	Kw.	1500	r.p.m.
Armature		Excitation		
Voltage	220	V.	Voltage	220 V.
Current	25	A.	Current	- A.

Drawn by	Name	Sign
Checked		
Confirm		

**Drivetek as**  
 Regulerte motordrifter - www.dtc.no

Rev.No.	Rev.Date	Detail
00		

TOLERANCES to DIN ISO 2768 T1, Coarse (c)					
0.5 - 3	3 - 6	7 - 30	31 - 120	121 - 315	316 - 1000
±0.2	±0.3	±0.5	±0.8	±1.2	±2

Note :Klixon Thermal Protection + RAL 50 10