

EC100.120 - EC100.240 - EC100.24E

Caratteristiche

Features

Costruzione	Tubolare, senza ventilazione
Grandezza	Ø 80 mm
Potenza	140 W S2 (100 W S1)
Magneti	2
Supporti	Cuscinetti a sfera
Fori di montaggio	4
Alimentazione	Bassa tensione, 12 o 24 Vcc
Spazzole	N° 2 di composto grafite-rame
Dimensione spazzole	LxPxH = 17.1 x 6.5 x 16.7 mm
Cavo di alimentazione	Lunghezza: 1000 mm
Bisporgenza	Standard solo EC100.24E

Construction	Tubular, without fan
Size	Ø 80 mm
Power	140 W S2 (100 W S1)
Magnets	2
Bearings	Ball bearings
Mounting holes	4
Power supply	Low voltage, 12 or 24 Vdc
Brushes	2 inside brushes made of graphite/copper composite
Brushes size	LxWxH = 17.1 x 6.5 x 16.7 mm
Electric cable	Length: 1000 mm
Rear shaft	Standard only EC100.24E

Tipo Type	S	Pn [W]	V [V]	I [A]	IC	FF	Mn [Nm]	n ₁ [min ⁻¹]	IP	Kg	
EC100.120	S1	100	12	12	F	1	0.31	3000	40	2.7	
	S2 25'	140		16.8			0.43				
EC100.240	S1	100	24	6			0.31				20
	S2 25'	140		8.4			0.43				
EC100.24E	S1	100	24	6			0.31				
	S2 25'	140		8.4			0.43				

Azionamenti
Drives → **H2**

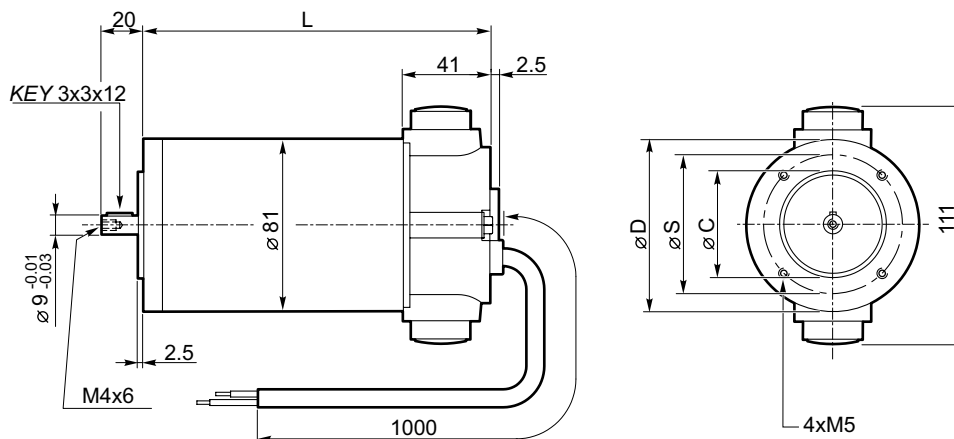
Dimensioni

Dimensions

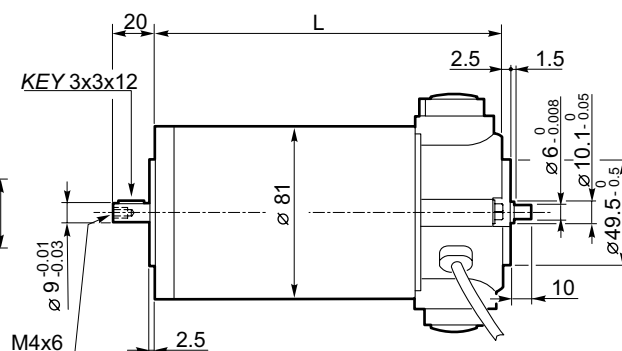
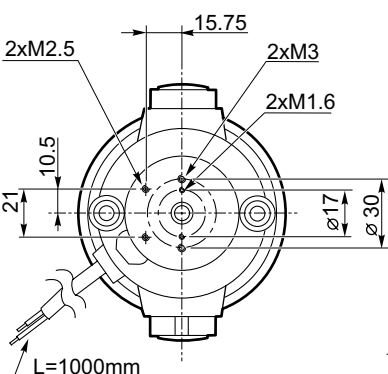
**EC100.120
EC100.240**

56 B14	
L	153
D	80
S	65
C (-0.03 / -0.01)	50
63B14*	
L	155
D	90
S	75
C (-0.03 / -0.01)	60

* Usare boccia 9/11
* Use sleeve 9/11

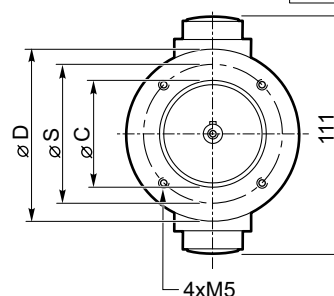


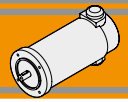
EC100.24E



Encoder → **I2**

Freno / Brake → **A20**





EC100.120 - EC100.240 - EC100.24E

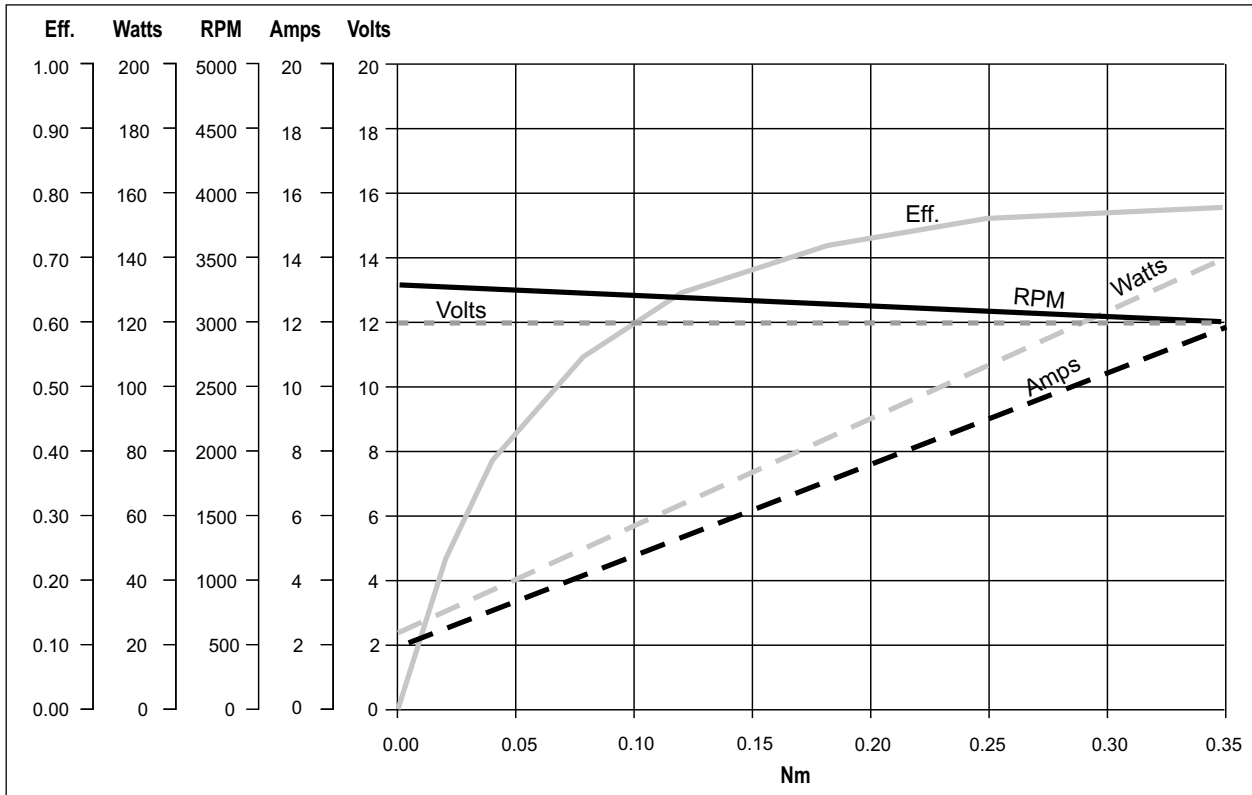
Prestazioni

Performances

DC

EC

EC100.120



EC100.240 - EC100.24E

