

Features:

- ☑ DC braking with on-way rectification
- ☑ controlled by microcontroller
- ☑ suitable for all asynchronous motors
- ☑ easy mounting, also for retrofitting into existing plants
- ☑ wear-resistant and maintenance-free
- ☑ integrated braking contactor (devices up to 60A)
- ☑ degree of protection IP 20



Braking Devices
VB 230/400-40 ... 600



Function:

- ☑ control via motor contactor
- ☑ standstill- or time-dependent braking
- ☑ signalling relay for exceeded braking times
- ☑ braking current adjustments 0...100%, current control
- ☑ automatic remanence time optimization
- ☑ braking times 0,5 – 320s
- ☑ temperature monitoring of heat sink
- ☑ potential-free signalling and control outputs
- ☑ 2nd braking time 0,5 – 40s selectable
- ☑ manual braking stop selectable

Typical Applications:

- sawing machines
- centrifuges
- wood working machines
- textile machines
- conveying systems

Options:

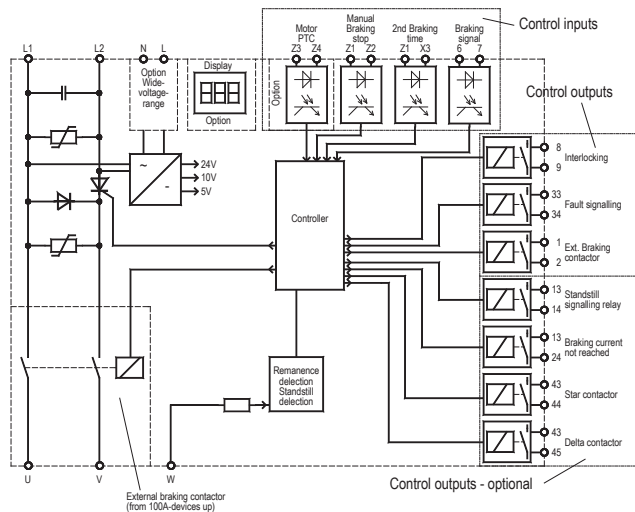
The following option packages are available:

VersiBrake 230/400-40 ... 600, "with option package APC"

- ☑ braking current display
- ☑ plug-in control terminals
- ☑ motor PTC monitoring
- ☑ star-delta starting control
- ☑ standstill signalling relay
- ☑ braking current monitoring

VersiBrake 600-40 ... 600 UL, „with option package APBC“

- ☑ all options included as "option package APC"
- ☑ wide voltage range 200-600V
- ☑ further control voltages upon request

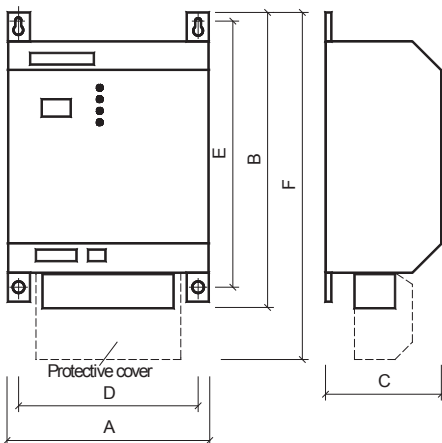


| Typical designation | VB ... | | | | | |
|---|---|------------------|--------------------|--------------------|--------------------|--------------------|
| | 230-40 400-40 | 230-60 400-60 | 230-100 400-100 | 230-200 400-200 | 230-400 400-400 | 230-600 400-600 |
| rated device current | 40A | 60A | 100A | 200A | 400A | 600A |
| mains voltage according to DIN EN 50160 (IEC 38) | 220/240V ±10% 50/60Hz (standard) 380/415V ±10% 50/60Hz (standard) 200 – 690V ± 10% 50/60Hz (wide voltage range) | | | | | |
| order number 230V | 29700.23040 | 29700.23060 | 29700.23100 | 29700.23200 | 29700.23400 | 29700.23600 |
| order number 400V | 29700.40040 | 29700.40060 | 29700.40100 | 29700.40200 | 29700.40400 | 29700.40600 |
| order number 230V, with option package APC | 29731.23040 | 29731.23060 | 29731.23100 | 29731.23200 | 29731.23400 | 29731.23600 |
| order number 400V, with option package APC | 29731.40040 | 29731.40060 | 29731.40100 | 29731.40200 | 29731.40400 | 29731.40600 |
| order number UL-devices | upon request | | | | | |
| accessorie: adaptor for braking devices 40A-200A for mounting onto DIN rail, order number | 29000.29700 | | | | | |

Please observe supplementary sheet with dimensioning rules!

| Technical data | VB ... | | | | | |
|--|---|-------------------|--------------------|-----------------------------------|--------------------|--------------------|
| | 230-40 400-40 | 230-60 400-60 | 230-100 400-100 | 230-200 400-200 | 230-400 400-400 | 230-600 400-600 |
| mains voltage according to DIN EN 50160 (IEC 38) | 220/240V ±10% 50/60Hz (standard) 380/415V ±10% 50/60Hz (standard) 200 – 690V ± 10% 50/60Hz (wide voltage range) | | | | | |
| power draw of the electronics | 6 VA | | | | | |
| recommended for rated motor currents up to | 20A | 30A | 50A | 100A | 200A | 300A |
| rated device current | 40A | 60A | 100A | 200A | 400A | 600A |
| c.d.f. at max. braking current | 20% | | | | | |
| I ² t-value power semiconductor in A ² s | 1050 | 4900 | 6050 | 80000 | 320000 | 1125000 |
| braking voltage | 0 ... 130VDC at 220/240V 0 ... 220VDC at 380/415V | | | | | |
| max. braking time | 40s with standstill-dependent braking 320s with time-dependent braking | | | | | |
| contact rating of output relays | 3A/250VAC; 3A/30VDC | | | | | |
| delay time for reduction of residual e.m.f. | self-optimizing (200 ... 3100ms) | | | self-optimizing (1600 ... 3100ms) | | |
| max. cross-sectional area | 16mm ² | 16mm ² | 16mm ² | 35mm ² | screw M12 | |
| ambient / storage temperature | 0°C ... 45°C / -25°C ... 75°C | | | | | |
| weight / kg | 2,1 | 2,1 | 2,1 | 3,1 | 7,2 | 10,2 |

Dimensions:



| | A | B | C | D | E | F |
|--------------|-----|-----|-----|-----|-----|-----|
| VB ... - 40 | 110 | 242 | 140 | 86 | 226 | |
| VB ... - 60 | 110 | 242 | 140 | 86 | 226 | |
| VB ... - 100 | 110 | 242 | 140 | 86 | 226 | |
| VB ... - 200 | 110 | 255 | 155 | 80 | 226 | |
| VB ... - 400 | 210 | 275 | 165 | 180 | 226 | 340 |
| VB ... - 600 | 310 | 280 | 165 | 280 | 226 | 355 |

All dimensions indicated in mm

Connection Diagram:

