

Features:

- ❑ two-phase controlled soft starter with reversing function
- ❑ controlled by microcontroller
- ❑ currentless reversing with relay, soft start with thyristors
- ❑ 4 potentiometers to adjust starting torque, stopping torque, acceleration/deceleration time and overcurrent limit
- ❑ electrically isolated 24V inputs for clockwise / anti-clockwise rotation
- ❑ reset via device panel or external reset switch
- ❑ 4 LEDs as status indicators
- ❑ current and torque reduction during start-up
- ❑ integrated bypass relay
- ❑ integrated mains contactor
- ❑ ultra-slim compact design, width: 22.5mm
- ❑ degree of protection: IP20



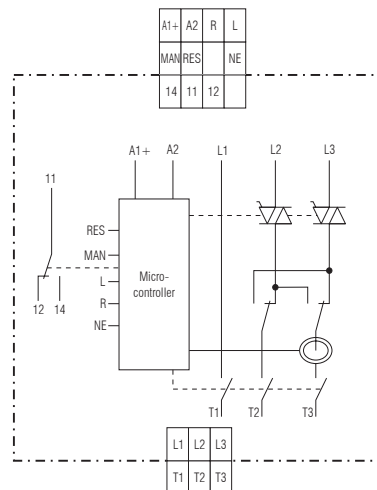
Soft Starter with Reversing Function
VersiStart II 9 PS
CE

Function:

- ❑ soft start and soft stop
- ❑ reversing function
- ❑ current monitoring
- ❑ blocking protection
- ❑ potential-free relay outputs for operational status
- ❑ signalling output programmable acc. to customer requirements

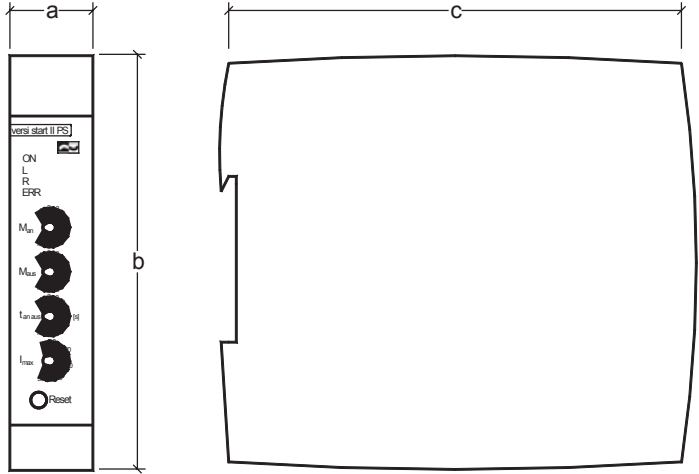
Typical Applications:

Reversing drive for door and gate control, bridge drives and hoisting gear with blocking protection
Conveying systems with blocking protection
Actuators in process technology with blocking protection
Points drives



Technical Data	VersiStart II 9 PS
Mains / Motor voltage acc. to DIN EN 50160 (IEC 38)	200-480V ±10% 50/60Hz
Rated device current	9A
Motor rating at 400V mains voltage	4kW
Power consumption	2W
min. Motor rating	25W
Operating mode	9.0A: AC 53a: 6-2 100-30
Auxiliary voltage	24VDC ± 10%
Acceleration time	1 ... 10s
Start voltage	30 ... 80%
Deceleration time	1 ... 10s
Restart time	250ms
I ² t – Power semiconductor in A ² s	200
Overcurrent measuring unit	5 ... 50A
Cross-sectional area for connection	0.34 ... 2.5mm ²
Switching capacity Relay output Make/Break contact	3A/230VAC; 1A/230VAC
Ambient / Storage temperature	0 ... 60°C (Derating)
Weight / kg	0.25
Order number	2S610.40009

Dimensions:



Mounting dimensions	a	b	c
VersiStart II 9 PS	22.5	105	120.3

All dimensions indicated in mm.

Connection Diagram:

