

# Motor 725 IP54 - 726 IP66

0,25-1,8kW

D.C. motors CEI and IEC standards - permanent magnet - 2 poles

SCR or PWM supply - rated voltage 170V

Form factor 1.4 or 1.05 - IC410 without ventilation

725 protection IP54 - 726 protection IP66 - insulation F / H class

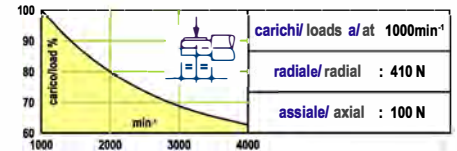
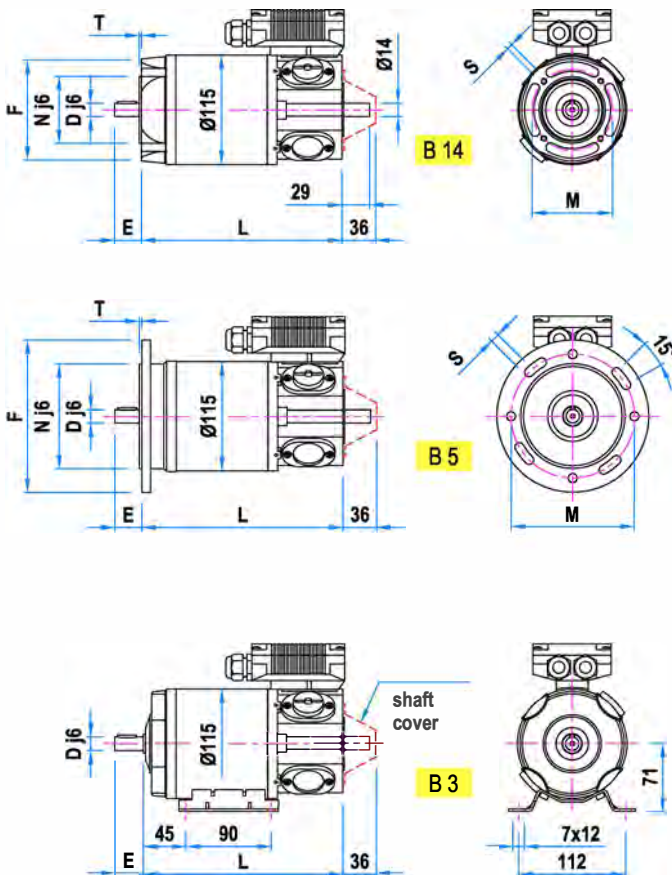
725 terminal box or free cable - 726 only free cable



Type	Form Factor FF1.4 - SCR	1500min <sup>-1</sup>		2000min <sup>-1</sup>		3000min <sup>-1</sup>		Torque			
725B	thyristors	250W	170V - 1.7A	56mH	335W	170V - 2.4A	31mH	500W	170V - 3.5A	14mH	1.6Nm
726B	FF1.05 - SCR with inductance or transistor PWM	315W	170V - 2.2A		420W	170V - 2.9A		630W	170V - 4.4A		2Nm
725C	FF1.4 - SCR thyristors	360W	170V - 2.6A	35mH	480W	170V - 3.3A	20mH	720W	170V - 5A	9mH	2.3Nm
726C	FF1.05 - SCR with inductance or transistor PWM	450W	170V - 3.1A		600W	170V - 4.2A		900W	170V - 6.3A		2.9Nm
725D	FF1.4 - SCR thyristors	490W	170V - 3.4A	26mH	655W	170V - 4.5A	15mH	980W	170V - 6.8A	6.5mH	3.1Nm
726D	FF1.05 - SCR with inductance or transistor PWM	630W	170V - 4.4A		840W	170V - 5.8A		1260W	170V - 8.7A		4Nm
725E	FF1.4 - SCR thyristors	675W	170V - 4.7A	18mH	900W	170V - 6.3A	10mH	1350W	170V - 9.4A	4.5mH	4.3Nm
726E	FF1.05 - SCR with ind. or transistor PWM	900W	170V - 6.3A		1200W	170V - 8.3A		1800W	170V - 12.5A		5.7Nm

Tolerance ±10%

Values for S1 service



Shafts				
D	E	P	H	d
Ø14	30	5x5x20	16	M5
Ø19	40	6x6x30	21.5	M6

Flanges B14				
F	N	M	T	S
Ø105	Ø70	Ø85	2.5	M6
Ø120	Ø80	Ø100	2.5	M6

Flanges B5				
F	N	M	T	S
Ø160	Ø110	Ø130	3	Ø9.5
Ø200	Ø130	Ø165	3	Ø11

Type	L	Weight
N725B N726B	214	7.7 Kg
N725C N726C	247	9.7 Kg
N725D N726D	277	11.7 Kg
N725E N726E	337	15.7 Kg