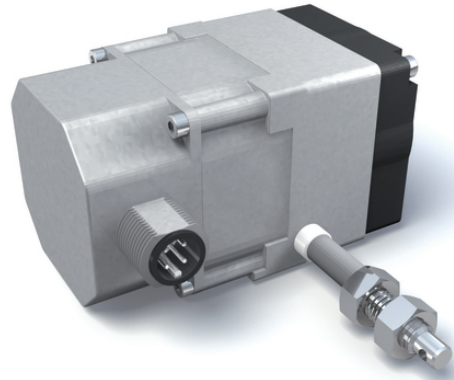
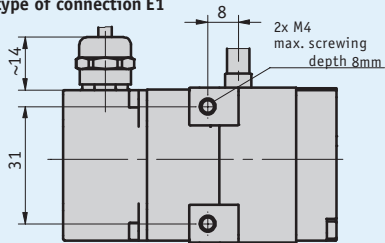


Profile

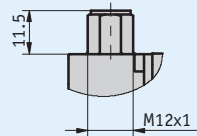
- Compact design
- Universally applicable thanks to standardized interfaces
- Easy mounting
- Measurement lengths up to max. 2000 mm
- Potentiometer, voltage or power output
- Robust zinc die-cast housing



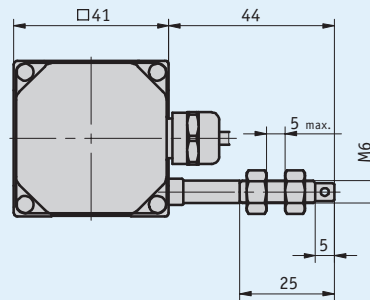
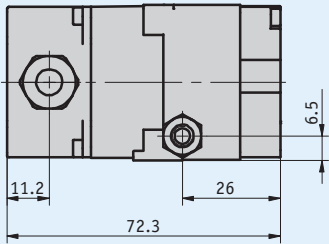
type of connection E1



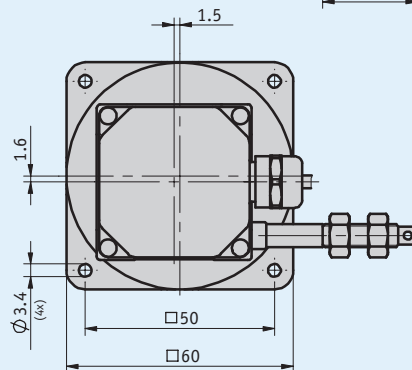
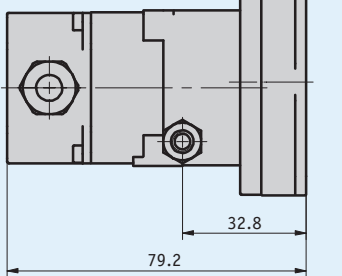
type of connection E1



operating temperature T1



operating temperature T2



Mechanical data

Feature	Technical data	Additional information
Housing	zinc die-cast	
Wire design	steel wire (stainless steel) $\varnothing 0.45$ mm	plastic coated
Extension force	≥ 2 N	T1 operating temperature
	≥ 11 N	T2 working temperature
Measured distance/ rope drum revolution	100 mm	
Absolute accuracy	± 0.35 %	relating to measuring length (mm)
Cable length	≤ 30 m	4/20mA, MWIHP, MWIHP/R encoder type
	≤ 20 m	P10; 0/10V; 0,5/4,5V encoder type
Weight	~ 0.32 kg	

Electrical data

Encoder potentiometer

Feature	Technical data	Additional information
Power rating	2 W at 70 °C	
Resistance	10 k Ω	
Resistance tolerance	± 5 %	
Linearity tolerance	± 0.25 %	

Transducer, power output

Feature	Technical data	Additional information
Operating voltage	10 ... 30 V DC	between I+ and I-, at $\leq 500 \Omega$ load
Output current	4 ... 20 mA	(4/20mA; MWIHP)

Transducer, voltage output

Feature	Technical data	Additional information
Operating voltage	15 ... 28 V DC	at 3 mA without load (0/10V)
	8 ... 28 V DC	at 3 mA without load (0,5/4,5V)
Output voltage	0 ... 10 V DC	$I_{Load} \leq 10$ mA
	0.5 ... 4.5 V DC	$I_{Last} \leq 10$ mA (0,5/4,5V)
Resistance	2 ... 10 k Ω	against GND
Load	≤ 15 mA	

System data

Feature	Technical data	Additional information
Repeat accuracy	± 0.15 mm	
Travel speed	≤ 1 m/s	

Ambient conditions

Feature	Technical data	Additional information
Ambient temperature	-10 ... 80 °C	T1
	-40 ... 80 °C	T2
Protection category	IP65 (encoder part)	EN 600529

Pin assignment

■ Potentiometric outputs P10

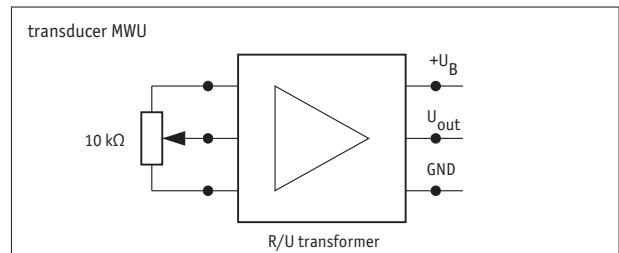
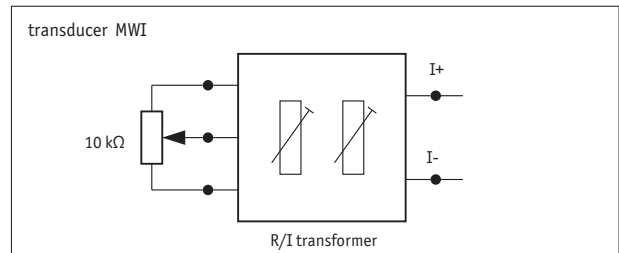
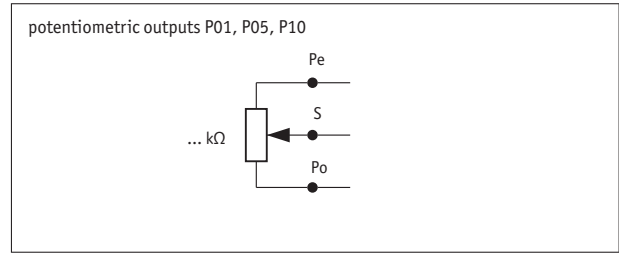
Signal	E1	E12
Po	brown	1
Pe	white	2
S	green	3
nc		4

■ MWI transducer

Signal	E1	E12
I+	brown	1
I-	white	2
nc		3
nc		4

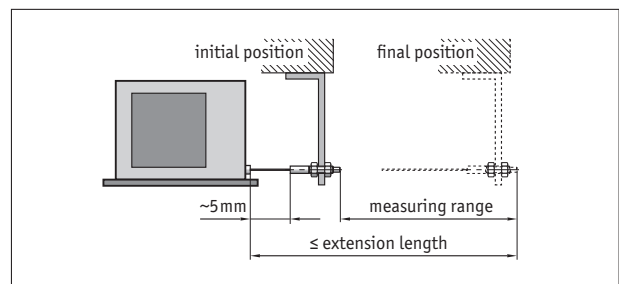
■ MWU transducer

Signal	E1	E12
+24 V DC	brown	1
GND	white	2
U _{out}	green	3
nc		4



Hint for mounting

When securing the wire it must be ensured that the wire is straight and vertical in relation to the wire outlet.
 Recommendation: Only select the starting position after an unwound length of approx. 5 mm. This prevents the wire hitting the end stop when it is rewound.



symbolic depiction

Order

Ordering table

Feature	Ordering data	Specification	Additional information
Measuring range	... A	1250, 1500, 1750, 2000 in mm	
Encoder type	P10	potentiometer with 10 kΩ	
	0.5/4.5V	measuring transducer 0.5 ... 4.5 V	
	0/10V	measuring transducer 0 ... 10 V	
	4/20mA	measuring transducer 4 ... 20 mA others on request	
Type of connection	E1	open cable ends	
	E12	connector	
Cable length	... D	1 ... 20.0 m, in steps of 1 m	with P10 or MWU encoder types
	...	1 ... 30.0 m, in steps of 1 m	with MWI encoder type
Operating temperature	T1	-10 ... +80 °C	
	T2	-40 ... +80 °C	

Order key

SG20 - - - - -
A B C D E

Scope of delivery: SG20, Mounting instructions

Accessories:

Guide roller UR

Wire extension piece SV

Mating Connector Overview

Mating connector, E12, 4-pole, socket

www.siko-global.com

www.siko-global.com

www.siko-global.com

Order key 83419