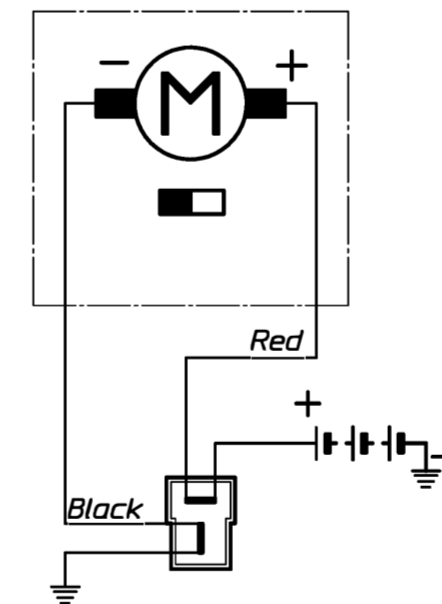


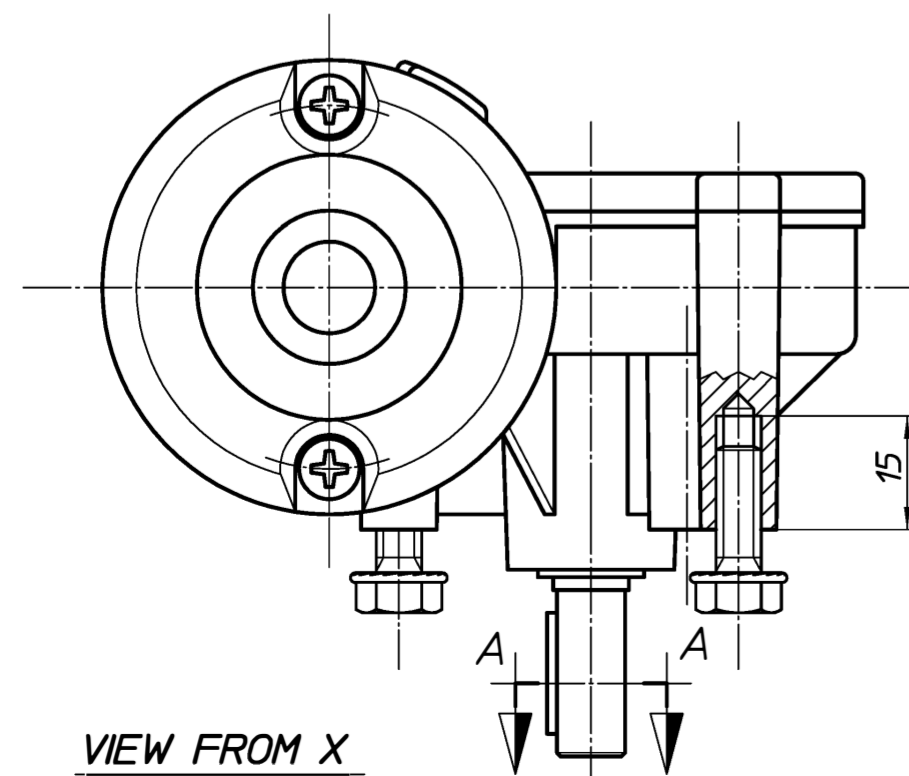
SECTION A-A
(Scale 2:1)



WIRING DIAGRAM
(Front view connector)

MOTOR P/N	V
111.9031.20.00	12V
111.9031.30.00	24V

MOTOR PERFORMANCE TYPE 111					
NO LOAD PERFORMANCE				Starting torque	Testing voltage
Speed	V	Current	Rpm		
n1	12	≤ A	± 5	≥ Nm	13 V
n1	24	≤ A	± 5		26 V



VIEW FROM X

MODIFICACIONES	
b	24V option added (04-02-04 VA)
a	Screw modified (05-04-01 VA)

H.P. ME10 CAD DRAWN	DIBUJADO	23-10-95 Natalia	MATERIAL	COTAS SIN TOLERANCIA	LIMPIAPARABRISAS - COMPONENTES AUTOMOCION REFERENCIA 111.9031_0.00
	COMPROBADO		TRATAMIENTO O ACABADO	0.2 0.1 0.2 ±2° >400 ±1000 ±2 >120 ±400 ±1 >30 ±120 ±0.5 >6 ±30 ±0.3 ≤6 ±0.3	
	ESCALA	1:1 (2:1)			
	DENOMINACION	MOTOR TYPE 111			
CLIENTE	REF.CLIENTE	VEHICULO	Sustituye a: _____		
			Sustituido por: _____		

PC