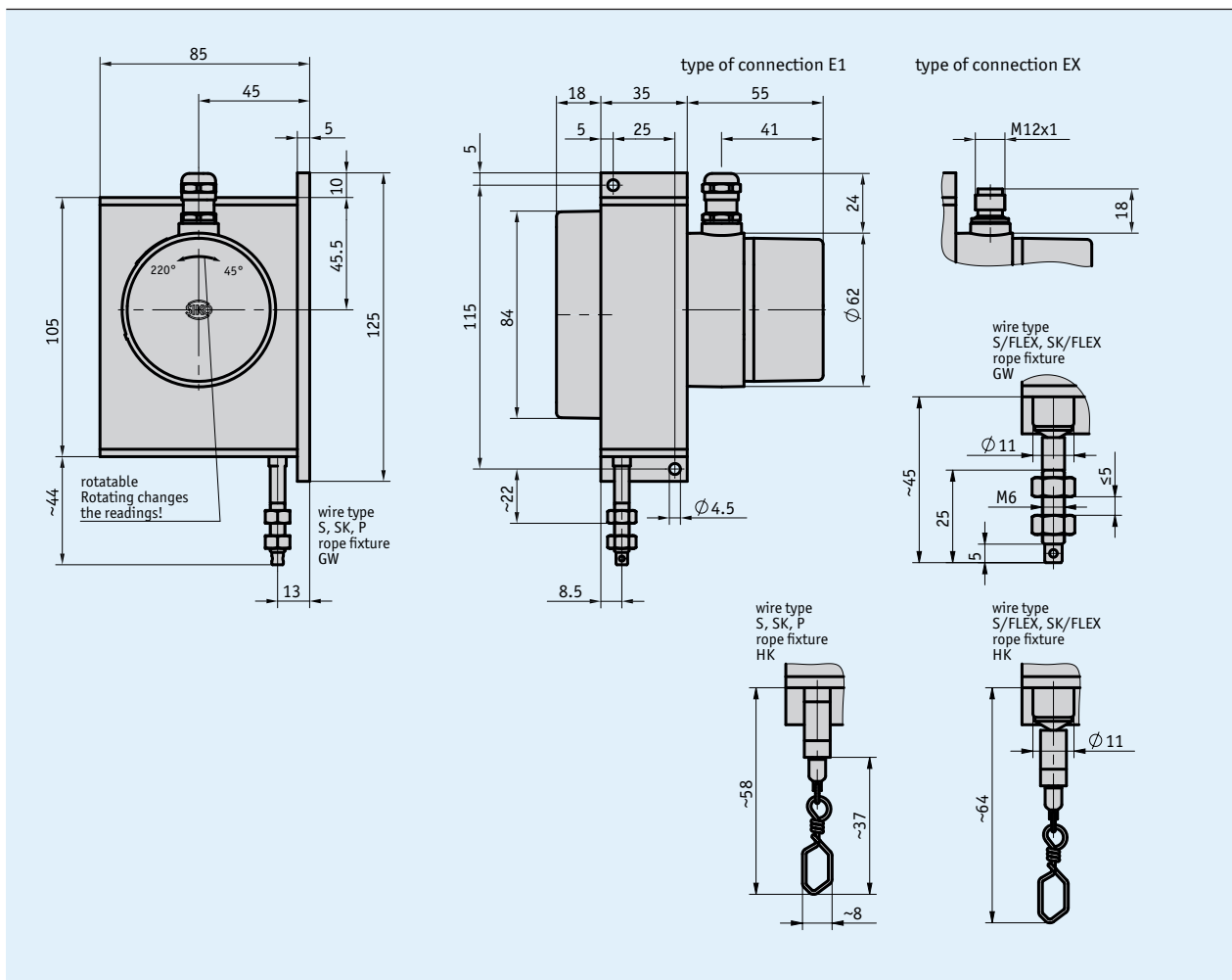


Profile

- Robust design
- Measurement lengths up to max. 6000 mm
- Potentiometer, voltage or power output
- Housing made of aluminum and plastic
- Potentiometer/resistance range adapted to actual measurement length via an integrated gear
- Various wire types



Mechanical data

Feature	Technical data	Additional information
Housing	aluminum/plastic	
Wire design	ø0.54 mm	steel wire (stainless)
	ø0.87 mm	steel wire (stainless), plastic coated
	ø1.05 mm	Paraleine
Extension force	≥8 N	
Measured distance/ rope drum revolution	200 mm	
Acceleration	≤23.5 m/s ²	
Weight	~0.7 kg	

max. travel speed

Measuring range [mm]	750	1000	1250	1500	1750	2000	2250	2500	2750	3000	3250	3500	6000
Travel speed [mm/s]	≤200	≤300	≤300	≤400	≤490	≤500	≤600	≤700	≤800	≤800	≤900	≤1000	≤1000

Electrical data

Encoder potentiometer

Feature	Technical data	Additional information
Power rating	2 W at 70 °C	
Resistance	1 kΩ	P01
	2 kΩ	P02
	5 kΩ	P05
	10 kΩ	P10
Resistance tolerance	±5 %	
Linearity tolerance	±0.25 %	

Transducer, power output

Feature	Technical data	Additional information
Operating voltage	10 ... 30 V DC	between I+ and I-, load ≤500 Ω
Output current	4 ... 20 mA	

Transducer, voltage output

Feature	Technical data	Additional information
Operating voltage	15 ... 28 V DC	at 3 mA without load
Output voltage	0 ... 10 V DC	
Resistance	2 ... 10 kΩ	against GND
Load	≤15 mA	

* Measurement transducers permit optimum adjustment of the output current and output voltage to the measuring range. The measurement transducer is pre-set at the works so that an output signal of 4 ... 20 mA (MWI) or 0 ... 10 V DC (MWU) is available.

System data

Feature	Technical data	Additional information
Repeat accuracy	~0.5 mm	per direction of approach
Travel speed	see table	

Ambient conditions

Feature	Technical data	Additional information
Ambient temperature	-20 ... 80 °C	T1
	-40 ... 80 °C	T2 (draw-in speed ≤800 mm/s)
Protection category	IP65 (potentiometer part)	EN 60529

Pin assignment

■ Potentiometric outputs P10

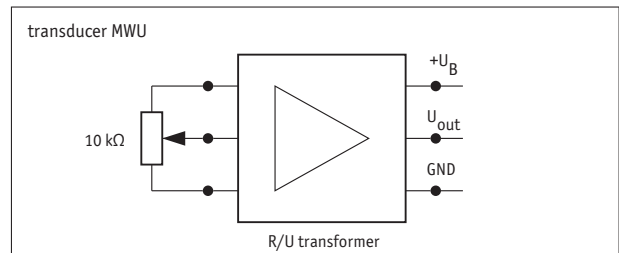
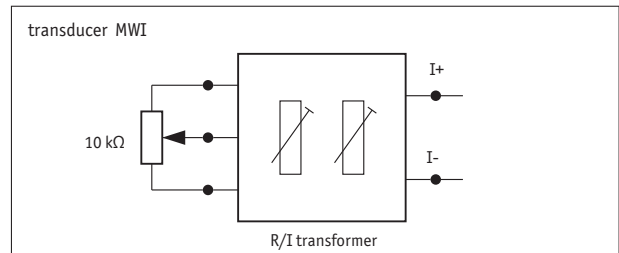
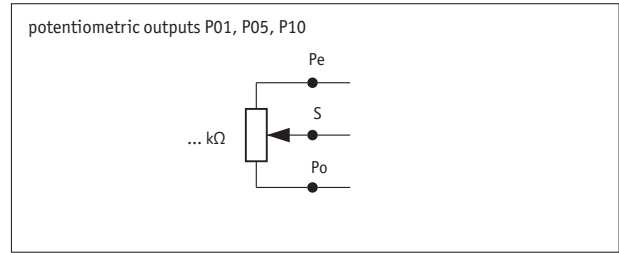
Signal	E1 (terminal)	E12 (connector pin)
Po	brown	1
Pe	white	2
S	green	3
nc		4

■ MWI transducer

Signal	E1 (terminal)	E12 (connector pin)
I+	1	1
I-	2	2
nc	3	3
nc		4

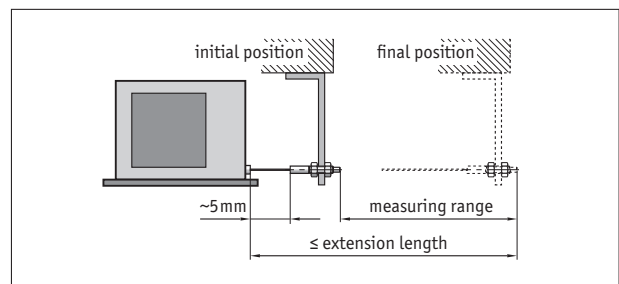
■ MWU transducer

Signal	E1 (terminal)	E12 (connector pin)
+24 V DC	1	1
GND	2	2
U _{out}	3	3
nc		4



Hint for mounting

When securing the wire it must be ensured that the wire is straight and vertical in relation to the wire outlet.
 Recommendation: Only select the starting position after an unwound length of approx. 5 mm. This prevents the wire hitting the end stop when it is rewound.



symbolic depiction

Order

Ordering table

Feature	Ordering data	Specification	Additional information
Measuring range	... A	750 ... 6000 mm, in steps of 250 mm	
Rope fixture	GW	wire suspension with thread	
	HK	wire suspension with hook	
Wire design	S	stainless steel rope	measuring range ≤ 6000 mm
	SK	stainless steel rope, plastic-coated	measuring range ≤ 4000 mm
	P	para-line, non-conducting, signal color	measuring range ≤ 2800 mm
	S/FLEX	stainless steel rope, flexible rope outlet	measuring range ≤ 6000 mm
	SK/FLEX	stainless steel rope, plastic-coated, flexible rope outlet	measuring range ≤ 4000 mm
Type of connection	E1	cable gland PG7	cable ø 3-6.5 mm
	EX	for M12 connector	
Potentiometer type	02	10 helices/wire	(P01, P05, P10)
	03	10 helices/hybride	(P01, P05, P10)
Analog output	MWI	4 ... 20 mA transducer	
	MWU	0 ... 10 V transducer	
	P01	potentiometer 1 kΩ	
	P05	potentiometer 5 kΩ	
	P10	potentiometer 10 kΩ	
Operating temperature	T1	-20 ... +80 °C	≤ feed speed 800 mm/s
	T2	-40 ... +80 °C	

Order key

SGP/1 - - - - - - -

A B C D E F G

Scope of delivery: SGP/1, Mounting instructions

Accessories:

Electronic display MA50

Guide roller UR

Wire extension piece SV

Mating Connector Overview

Mating connector, EX, 4-pole, socket

www.siko-global.com

www.siko-global.com

www.siko-global.com

www.siko-global.com

Order key 83419